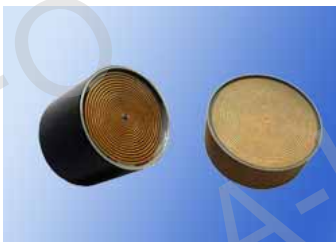
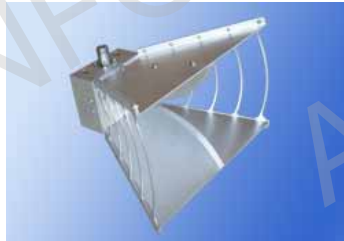


A-INFO Microwave

Antenna Products



Horn Antenna
Spiral Antenna
Microstrip Antenna
Log Periodic Antenna
Discone-Type Antenna
Bi-Conical Antenna



AINFO Inc. is an ISO 9001:2008 certified manufacturer.



Q | Á @ Á [• Ǻ] á æ Ǻ á Ǻ { Ǻ | Ǻ ç Ǻ á Ǻ , Ǻ Ǻ { Ǻ & Ǻ { Á | Á ^ } á Á Ǻ Ǻ á Á Á Ǻ • O Ǻ Ǻ { Ǻ & Ǻ {

Content

<i>Broadband Horn Antenna</i>	1
<i>Octave Horn Antenna</i>	39
<i>Multi Octave Horn Antenna</i>	42
<i>Dual Polarization Horn Antenna</i>	59
<i>Open Boundary Quad-Ridged Horn Antenna</i>	74
<i>Options for Dual Polarization Horn Antenna</i>	88
<i>Standard Gain Horn Antenna</i>	106
<i>Diagonal Horn Antenna</i>	115
<i>Open Ended Waveguide Probes</i>	123
<i>Ortho-Mode Transducer (OMT) Horn Antenna</i>	128
<i>Conical Horn Antenna</i>	133
<i>Corrugated Conical Horn Antenna</i>	136
<i>Lens Horn Antenna</i>	147
<i>Circular Polarization Horn Antenna</i>	154
<i>Horn Antenna Accessories</i>	157
<i>Cavity Backed Spiral Antenna</i>	159
<i>Helical Antenna</i>	178
<i>Spiral Antenna Accessories</i>	178
<i>Microstrip Array Antenna</i>	179
<i>Microstrip Omni Antenna</i>	182
<i>Log Periodic Antenna</i>	186
<i>Discone-Type Antenna</i>	216
<i>Bi-Conical Antenna</i>	230

Broadband Horn Antenna



The LB series broadband waveguide horn antennas are linearly polarized and provide an efficient low cost means of making broadband measurements. A-INFO's horn antenna can cover from 200MHz to 40GHz frequency range. These horns are ideally suited for EMI testing, direction finding, surveillance, antenna gain and Pattern measurements and other applications. The LB series horn antennas have high gain, over octave bandwidths, low VSWR and advantages of small size and light weight.

Also we provide specific gain horn antennas according to customers' requirement.

For detailed test data, pls. Log on www.ainfoinc.com – Antenna – Broadband Horn Antenna and download.

Model	Freq. (GHz)	Pol.	Gain (dB) Typ.	VSWR Typ.	Connector	Power Handling (W) CW Max.	Size (mm)
LB-110-NF	0.1-1.0	Linear	3-10	2.5:1	N-F	-	2250 x 2154 x 1423
LB-225-NF	0.2-2.5	Linear	12	2.0:1	N-F	800	967 x 730 x 903
LB-460-NF	0.4-6.0	Linear	10	1.5:1	N-F	500	492 x 322 x 436
LB-530-NF	0.5-3.0	Linear	11	2.0:1	N-F	500	440 x 290 x 350
LB-560-NF	0.5-6.0	Linear	11	2.0:1	N-F	500	440 x 290 x 350
LB-660-NF	0.6-6.0	Linear	11	2.0:1	N-F	500	440 x 290 x 350
LB-7180-NF	0.7-18.0	Linear	12	2.0:1	N-F	300	244 x 160 x 230
LB-7180-SF	0.7-18.0	Linear	12	2.0:1	SMA-F	50	244 x 160 x 230
LB-880-NF	0.8-8.0	Linear	10	2.0:1	N-F	300	284 x 184 x 252
LB-880-SF	0.8-8.0	Linear	10	2.0:1	SMA-F	50	284 x 184 x 252
LB-8180-NF	0.8-18.0	Linear	12	2.0:1	N-F	300	244 x 160 x 230
LB-8180-SF	0.8-18.0	Linear	12	2.0:1	SMA-F	50	244 x 160 x 230
LB-1025-NF	1.0-2.5	Linear	14.5-19	1.5:1	N-F	500	586 x 436 x 769
LB-1025-7/16F	1.0-2.5	Linear	14.5-19	1.5:1	7/16-F	500	586 x 436 x 769
LB-1080-NF	1.0-8.0	Linear	11	1.5:1	N-F	300	244 x 164 x 204
LB-1080-SF	1.0-8.0	Linear	11	1.5:1	SMA-F	50	244 x 164 x 204
LB-1080-M-NF	1.0-8.0	Linear	1.8-13	2.5:1	N-F	150	85 x 80 x 140
LB-1080-M-SF	1.0-8.0	Linear	1.8-13	2.5:1	SMA-F	50	85 x 80 x 140

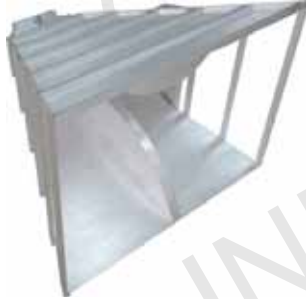
Model	Freq. (GHz)	Pol.	Gain (dB) Typ.	VSWR Typ.	Connector	Power Handling (W) CW Max.	Size (mm)
LB-10125-NF	1.0-12.5	Linear	11	1.5:1	N-F	300	241 x 160 x 204
LB-10125-SF	1.0-12.5	Linear	11	1.5:1	SMA-F	50	241 x 160 x 204
LB-10180-NF	1.0-18.0	Linear	11	1.5:1	N-F	300	244 x 164 x 204
LB-10180-SF	1.0-18.0	Linear	11	1.5:1	SMA-F	50	244 x 164 x 204
LB-2060-H-NF	2.0-6.0	Linear	15	1.3:1	N-F	300	245 x 195 x 407
LB-2080-SF	2.0-8.0	Linear	11	1.5:1	SMA-F	50	104 x 78 x 127
LB-2080-NF	2.0-8.0	Linear	11	1.5:1	N-F	150	104 x 78 x 127
LB-20180-SF	2.0-18.0	Linear	12	2.0:1	SMA-F	50	104 x 78 x 127
LB-20180-NF	2.0-18.0	Linear	12	2.0:1	N-F	150	104 x 78 x 127
LB-20180H-SF	2.0-18.0	Linear	10-22	1.5:1	SMA-F	50	438 x 183 x 183
LB-20180H-NF	2.0-18.0	Linear	10-22	1.5:1	N-F	150	438 x 183 x 183
LB-20200-SF	2.0-20.0	Linear	12	2.0:1	SMA-F	50	104 x 78 x 127
LB-20200H-SF	2.0-20.0	Linear	10-22	1.5:1	SMA-F	50	438 x 183 x 183
LB-20200H-NF	2.0-20.0	Linear	10-22	1.5:1	N-F	150	438 x 183 x 183
LB-20245-SF	2.0-24.5	Linear	13	1.5:1	SMA-F	50	84 x 64 x 127
LB-60180-SF	6.0-18.0	Linear	10	1.5:1	SMA-F	50	55 x 44 x 109
LB-60180-NF	6.0-18.0	Linear	10	1.5:1	N-F	150	55 x 44 x 109
LB-80180-SF	8.0-18.0	Linear	10	1.5:1	SMA-F	50	48 x 39 x 96.7
LB-80180-NF	8.0-18.0	Linear	10	1.5:1	N-F	150	48 x 39 x 96.7
LB-180400-KF	18.0-40.0	Linear	15	1.5:1	2.92mm(K)-F	20	32 x 27 x 71

Note:

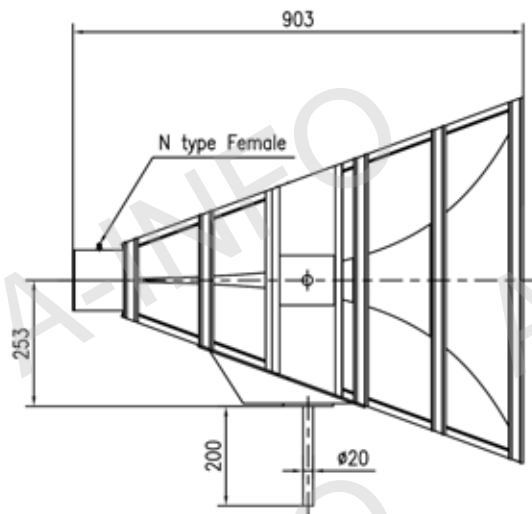
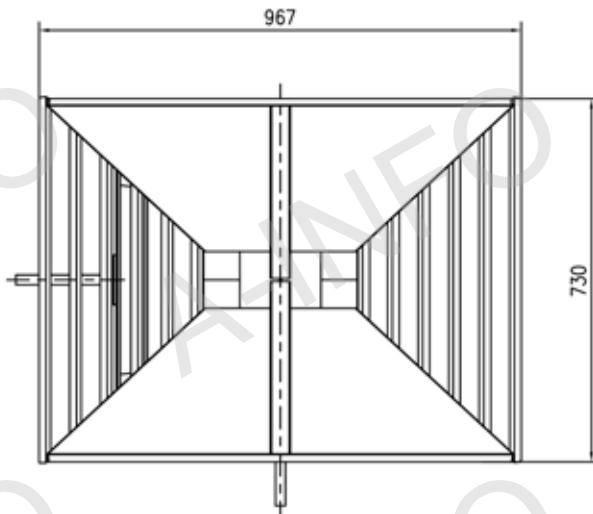
1. We can offer mounting bracket, please email to sales@ainfoinc.com

Broadband Horn Antenna 0.2~2.5GHz

P/N: LB-225



Outline Drawing (Size: mm)

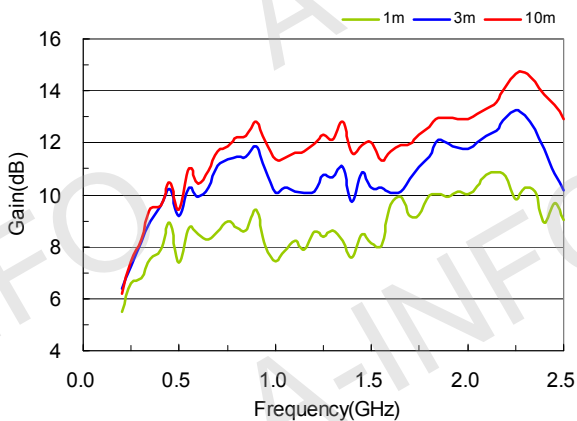


Technical Specification

Frequency Range(GHz)	0.2-2.5
Gain(dB)	12 Typ.
Polarization	Linear
VSWR	2.0:1 Typ.
Connector	N-Female
Power Handling(W) CW	800 Max
Size(mm)	967 x 730 x 903
Net Weight(Kg)	14.14 Around (16.34 Including Hand Holder)

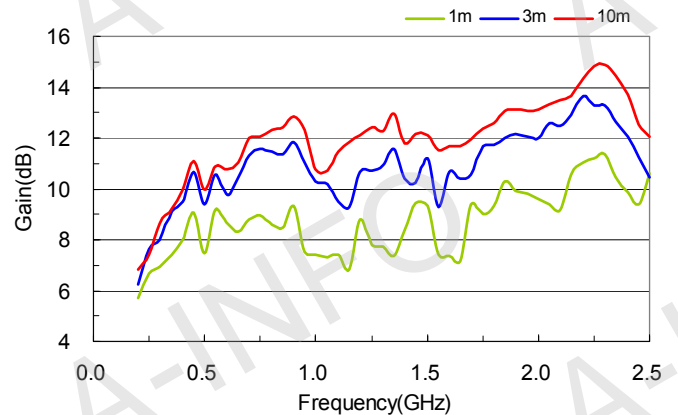
Gain

Horizontal Polarization



Gain

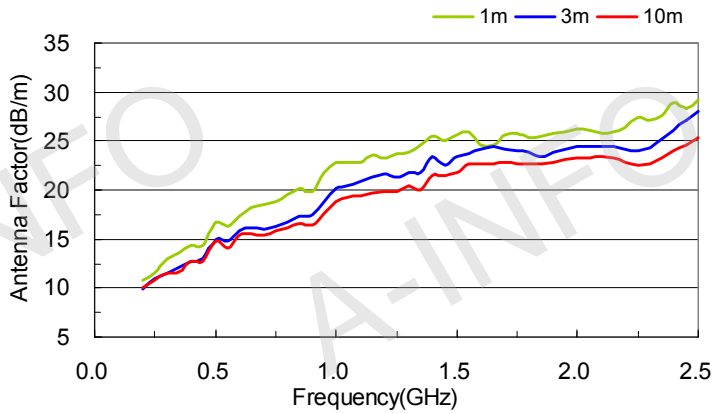
Vertical Polarization



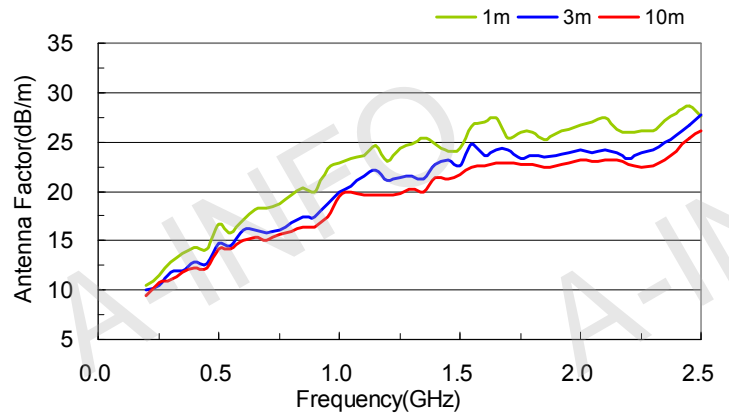
Broadband Horn Antenna 0.2~2.5GHz (continued)

P/N: LB-225

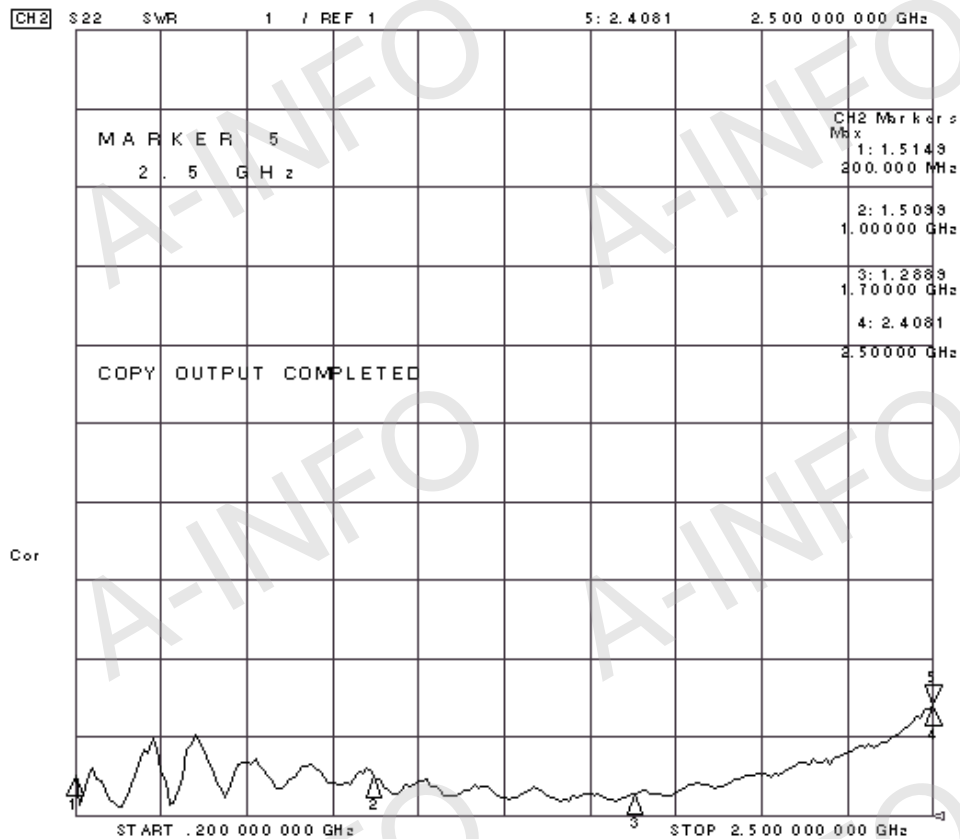
Antenna Factor
Horizontal Polarization



Antenna Factor
Vertical Polarization



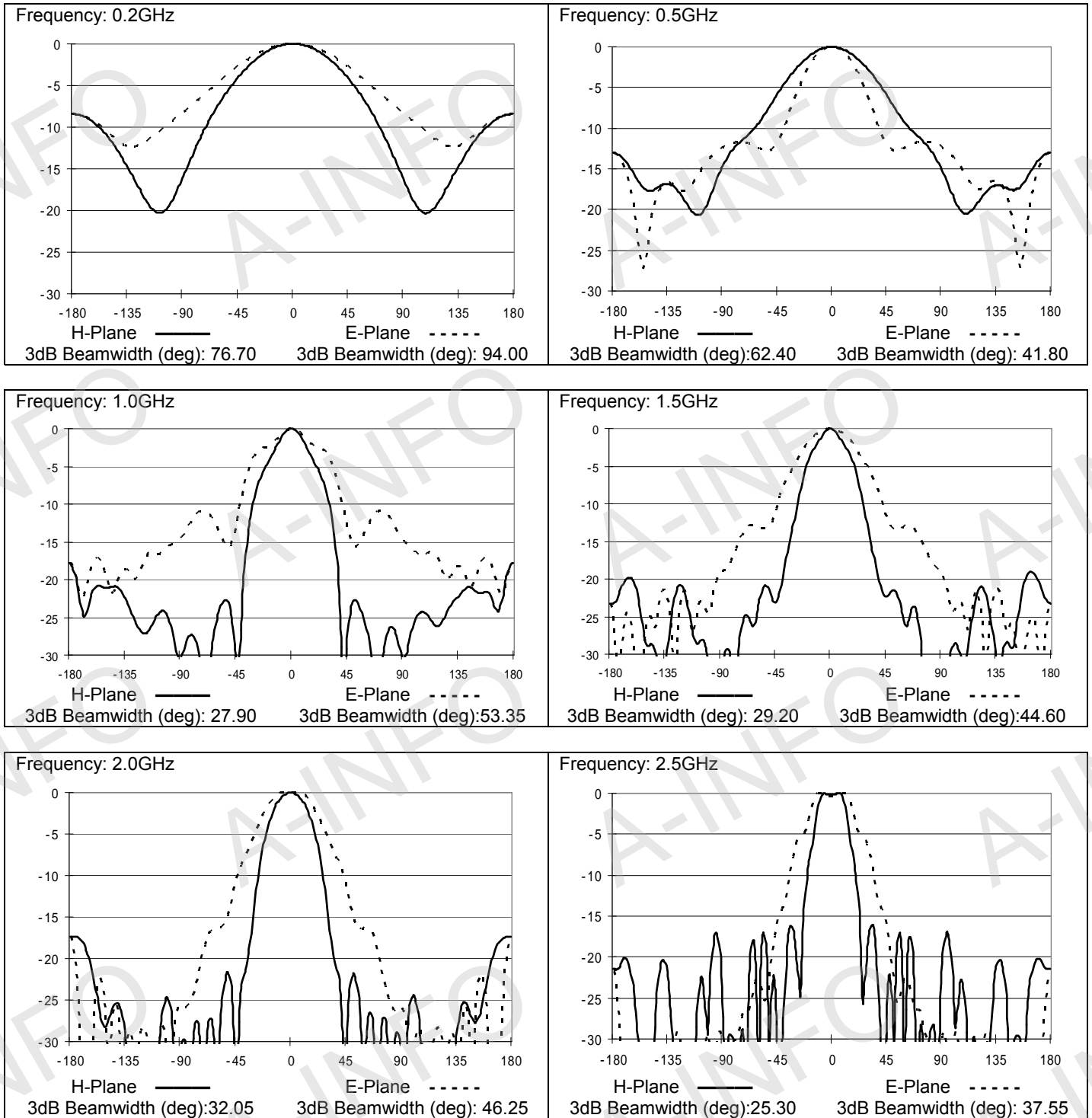
VSWR



Broadband Horn Antenna 0.2~2.5GHz(continued)

P/N: LB-225

Pattern



Broadband Horn Antenna 0.4~6GHz

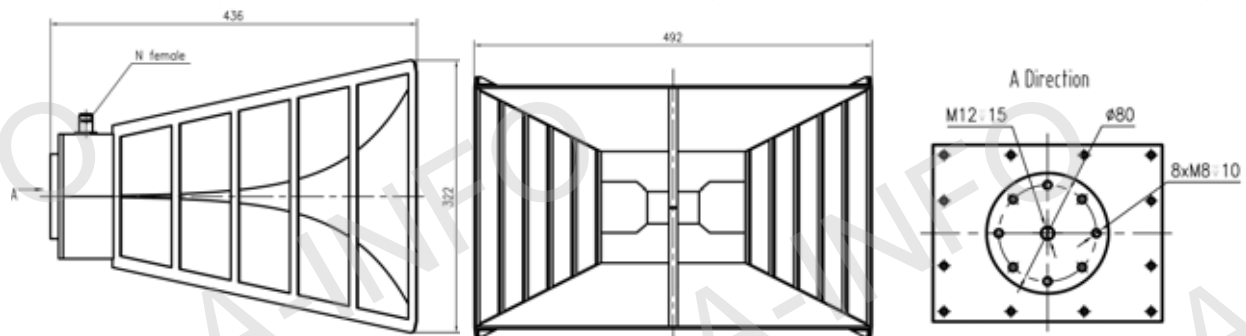
P/N: LB-460



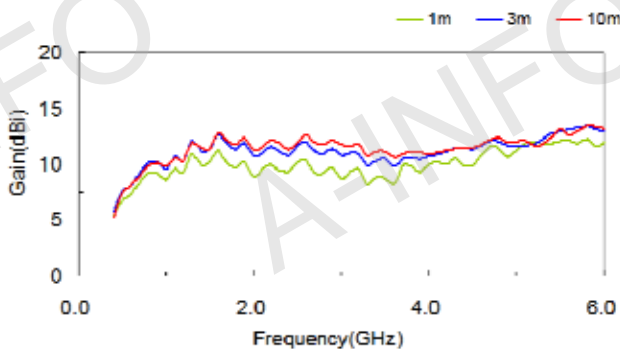
Technical Specification

Frequency Range(GHz)	0.4-6.0
Gain(dB)	10 Typ.
Polarization	Linear
VSWR	1.5:1 Typ.
Connector	N-Female
Power Handling(W) CW	500 Max
Size(mm)	492 x 322 x 436
Net Weight(Kg)	7.4 Around

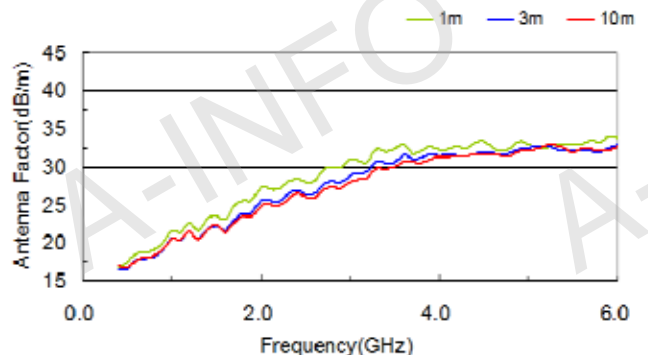
Outline Drawing and Mounting(Size: mm)



Gain



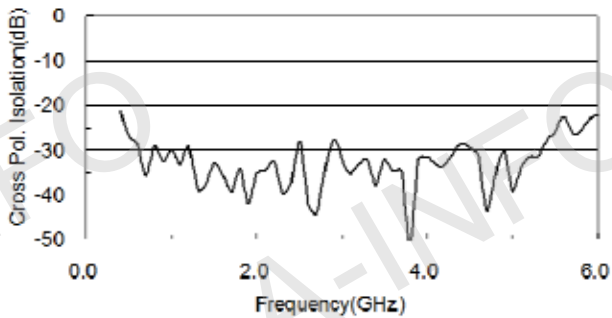
Antenna Factor



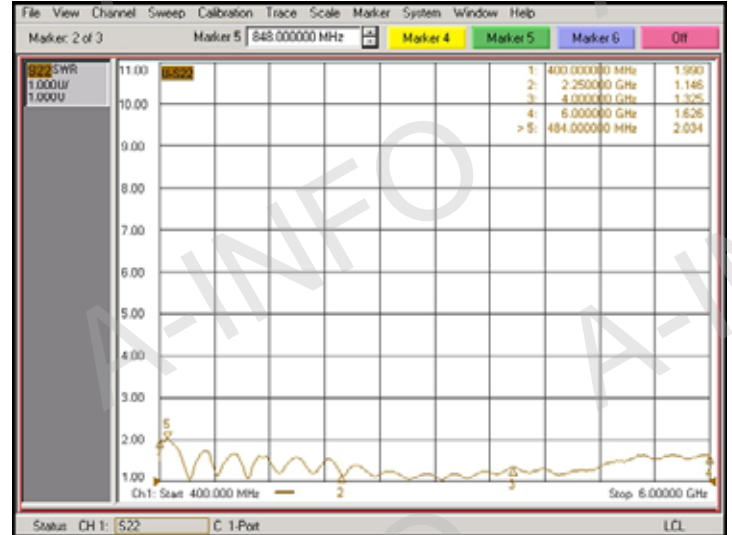
Broadband Horn Antenna 0.4~6GHz(continued)

P/N: LB-460

Cross Polarization Isolation

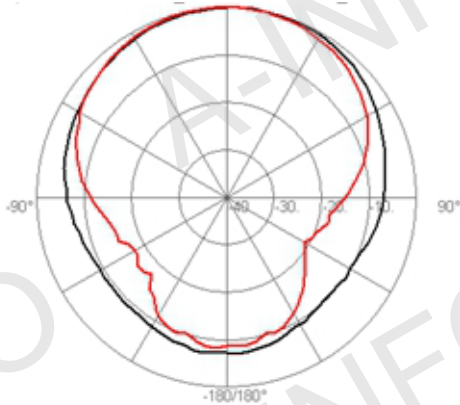


VSWR



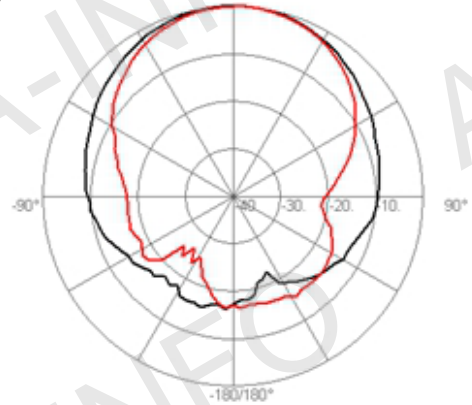
Pattern

Frequency: 0.4GHz



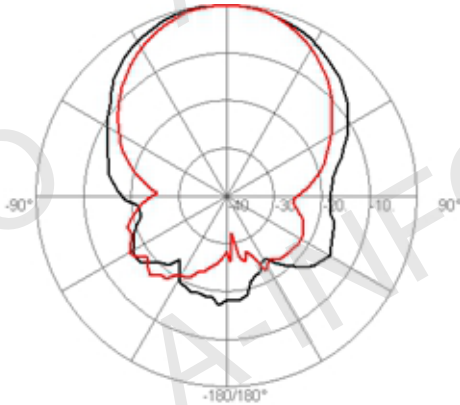
H-Plane 3dB Beamwidth (deg): 93.10
E-Plane 3dB Beamwidth (deg): 103.64

Frequency: 0.6GHz



H-Plane 3dB Beamwidth (deg): 62.46
E-Plane 3dB Beamwidth (deg): 75.67

Frequency: 0.8GHz



H-Plane 3dB Beamwidth (deg): 49.21
E-Plane 3dB Beamwidth (deg): 61.21

Frequency: 1.0GHz



H-Plane 3dB Beamwidth (deg): 64.00
E-Plane 3dB Beamwidth (deg): 48.17

Broadband Horn Antenna 0.4~6GHz(continued)

P/N: LB-460

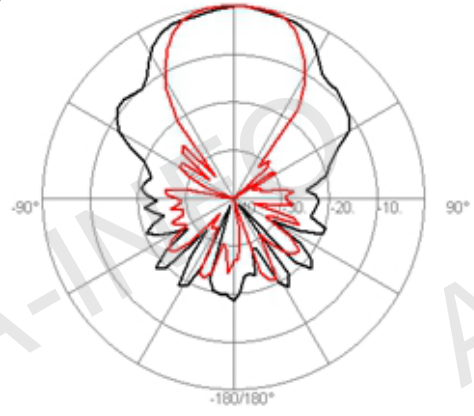
Pattern

Frequency: 2.0GHz



H-Plane 3dB Beamwidth (deg): 53.02 E-Plane 3dB Beamwidth (deg): 31.02

Frequency: 3.0GHz



H-Plane 3dB Beamwidth (deg): 39.80 E-Plane 3dB Beamwidth (deg): 51.47

Frequency: 4.0GHz



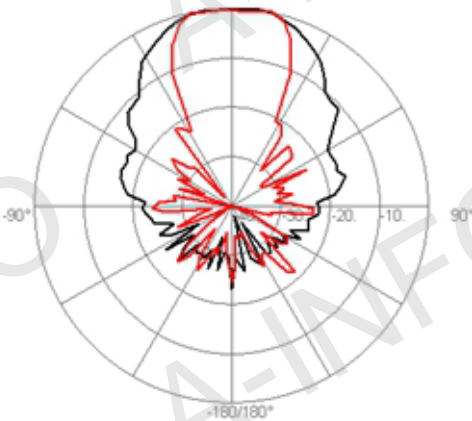
H-Plane 3dB Beamwidth (deg): 38.55 E-Plane 3dB Beamwidth (deg): 46.24

Frequency: 5.0GHz



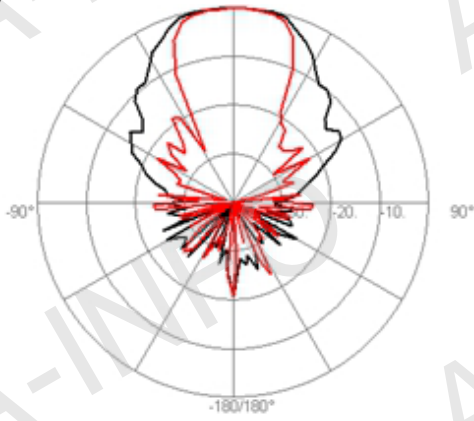
H-Plane 3dB Beamwidth (deg): 37.87 E-Plane 3dB Beamwidth (deg): 49.66

Frequency: 5.5GHz



H-Plane 3dB Beamwidth (deg): 35.65 E-Plane 3dB Beamwidth (deg): 46.38

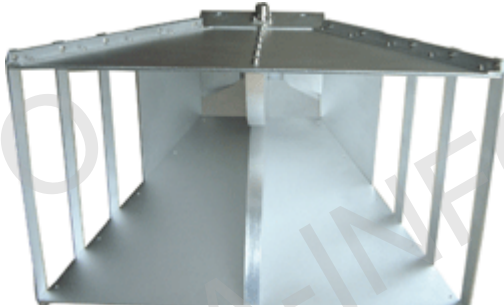
Frequency: 6.0GHz



H-Plane 3dB Beamwidth (deg): 36.01 E-Plane 3dB Beamwidth (deg): 43.82

Broadband Horn Antenna 0.5~6.0GHz

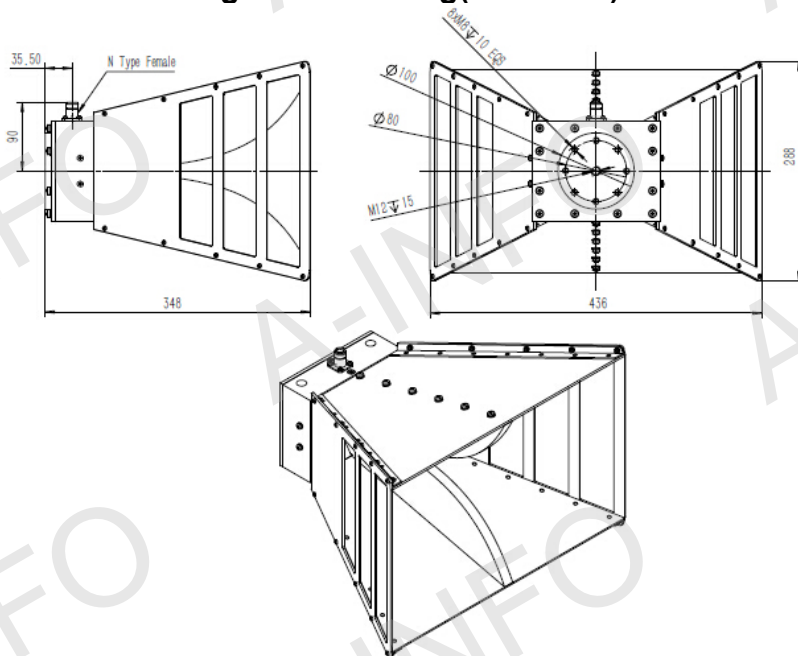
P/N: LB-560



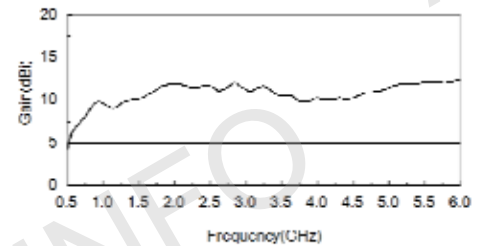
Technical Specification

Frequency Range(GHz)	0.5-6.0
Gain(dB)	11 Typ.
Polarization	Linear
VSWR	2.0:1 Typ.
Connector	N-Female
Power Handling(W) CW	500 Max
Size(mm)	440x290x350
Net Weight(Kg)	6.8 Around

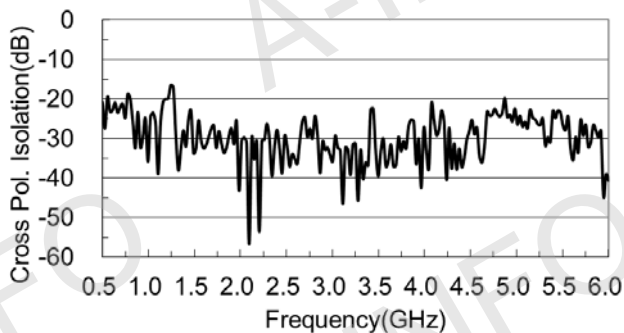
Outline Drawing and Mounting(Size: mm)



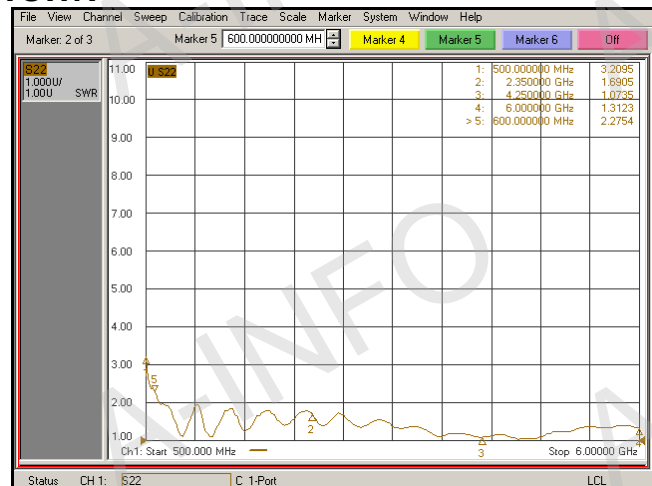
Gain



Cross Polarization Isolation



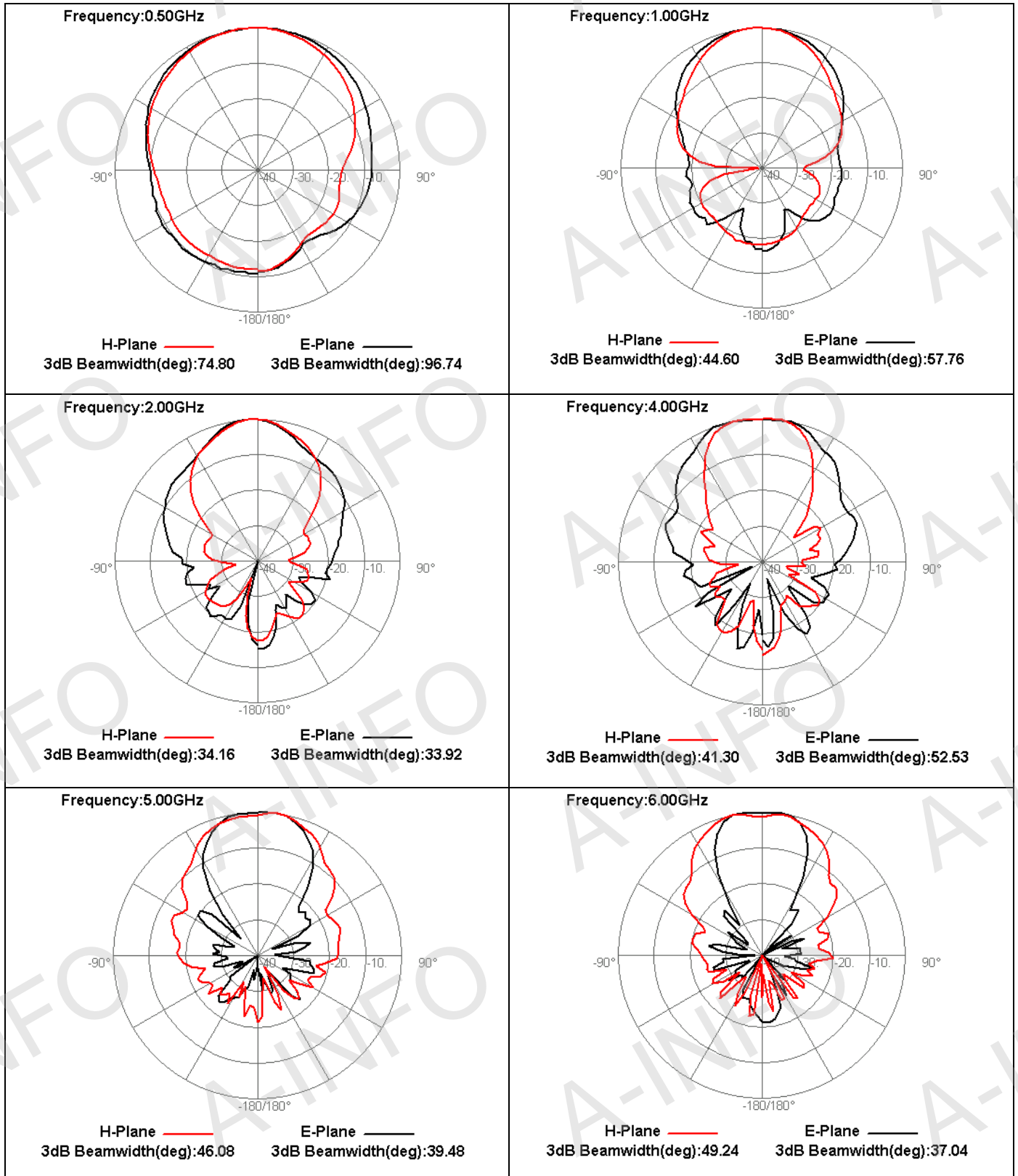
VSWR



Broadband Horn Antenna 0.5~6.0GHz(continued)

P/N: LB-560

Pattern



Broadband Horn Antenna 0.7~18GHz

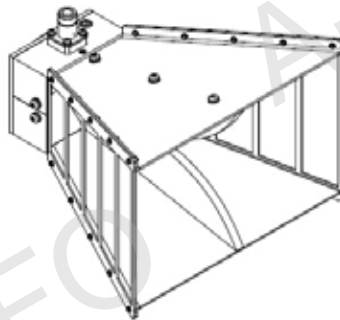
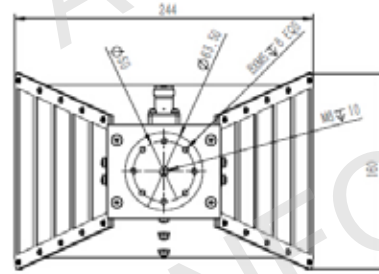
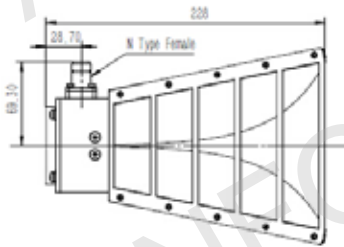
P/N: LB-7180



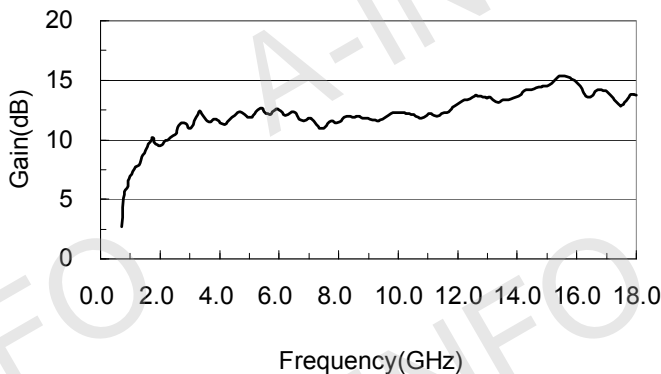
Technical Specification

Frequency Range(GHz)	0.7-18
Gain(dB)	12 Typ.
Polarization	Linear
VSWR	2.0:1 Typ.
Connector	N-Female/SMA-Female
Power Handling(W) CW	N-Female: 300 Max SMA-Female: 50 Max
Size(mm)	244x160x230
Net Weight(Kg)	1.5 Around

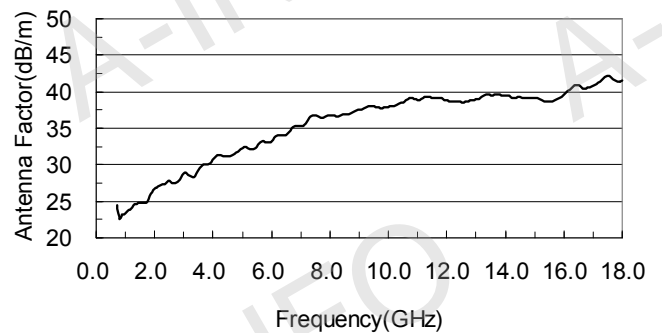
Outline Drawing and Mounting(Size: mm)



Gain



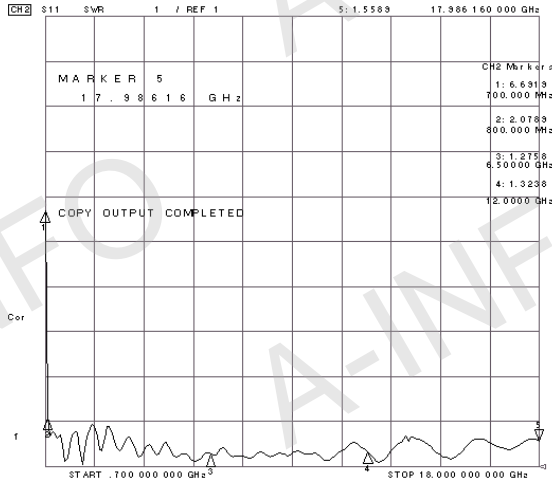
Antenna Factor



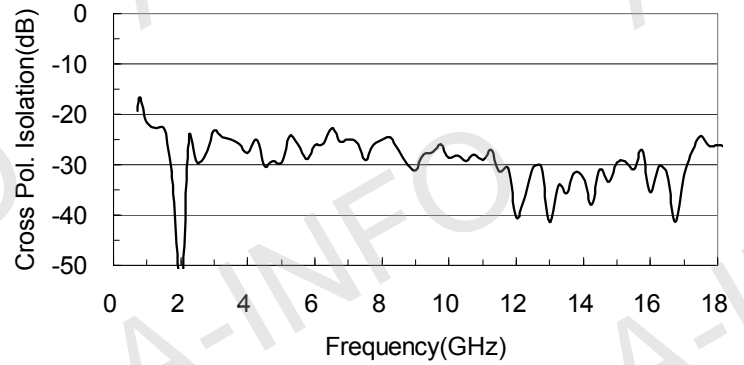
Broadband Horn Antenna 0.7~18GHz(continued)

P/N: LB-7180

VSWR

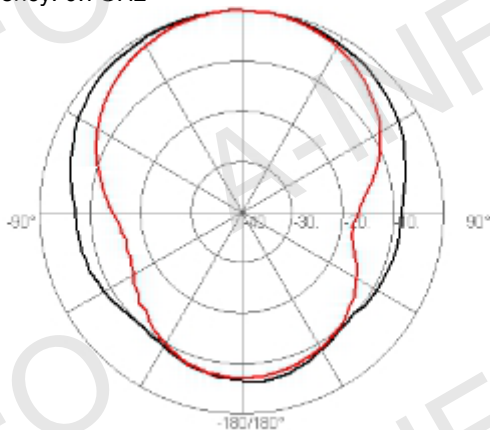


Cross Polarization Isolation



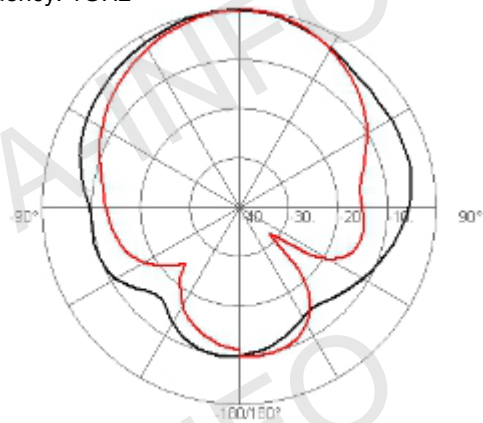
Pattern

Frequency: 0.7GHz



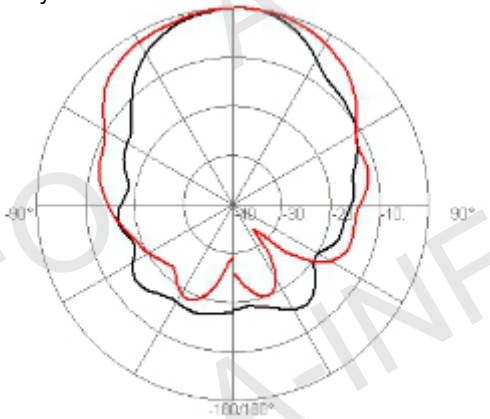
H-Plane ——— 3dB Beamwidth (deg): 73.02
E-Plane - - - - - 3dB Beamwidth (deg): 110.37

Frequency: 1GHz



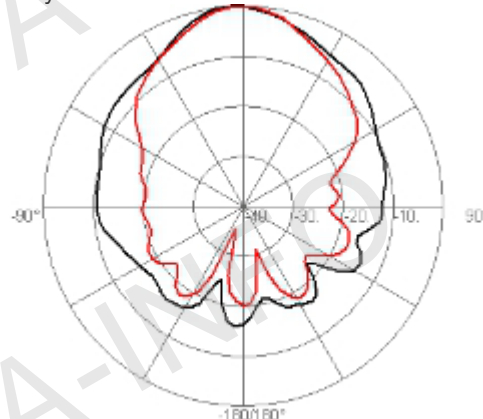
H-Plane ——— 3dB Beamwidth (deg): 60.33
E-Plane - - - - - 3dB Beamwidth (deg): 74.98

Frequency: 2GHz



H-Plane ——— 3dB Beamwidth (deg): 73.65
E-Plane - - - - - 3dB Beamwidth (deg): 45.94

Frequency: 3GHz



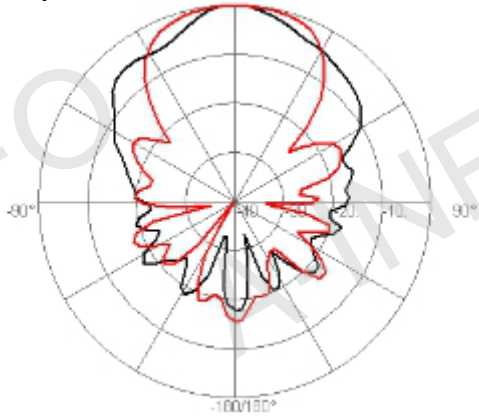
H-Plane ——— 3dB Beamwidth (deg): 34.00
E-Plane - - - - - 3dB Beamwidth (deg): 37.71

Broadband Horn Antenna 0.7~18GHz(continued)

P/N: LB-7180

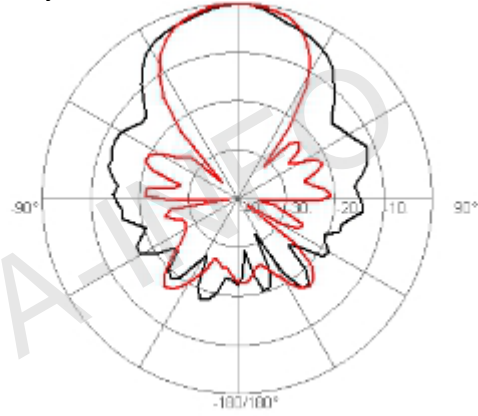
Pattern

Frequency: 4GHz



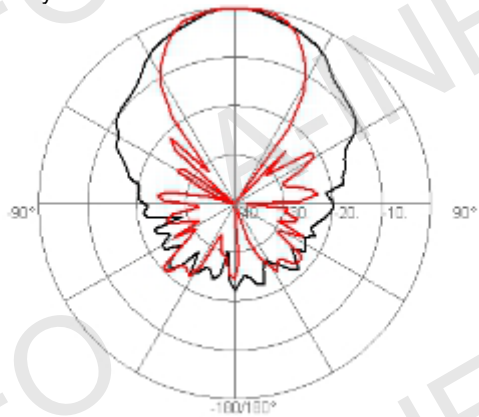
H-Plane ——— E-Plane - - - - -
3dB Beamwidth (deg): 52.66 3dB Beamwidth (deg): 32.98

Frequency: 5GHz



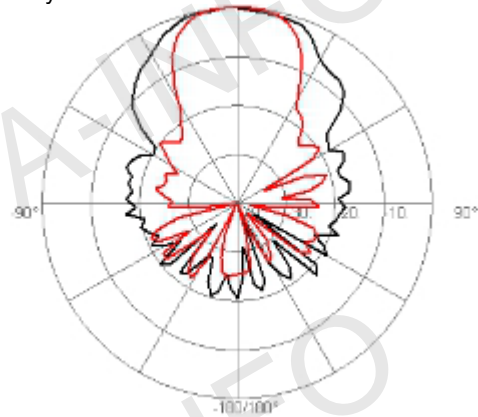
H-Plane ——— E-Plane - - - - -
3dB Beamwidth (deg): 41.04 3dB Beamwidth (deg): 42.57

Frequency: 6GHz



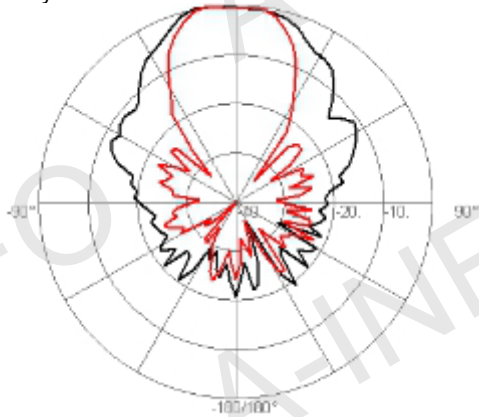
H-Plane ——— E-Plane - - - - -
3dB Beamwidth (deg): 39.53 3dB Beamwidth (deg): 44.56

Frequency: 7GHz



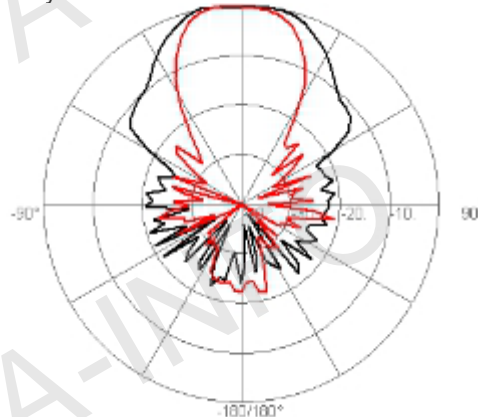
H-Plane ——— E-Plane - - - - -
3dB Beamwidth (deg): 36.30 3dB Beamwidth (deg): 49.21

Frequency: 8GHz



H-Plane ——— E-Plane - - - - -
3dB Beamwidth (deg): 32.88 3dB Beamwidth (deg): 42.74

Frequency: 9GHz

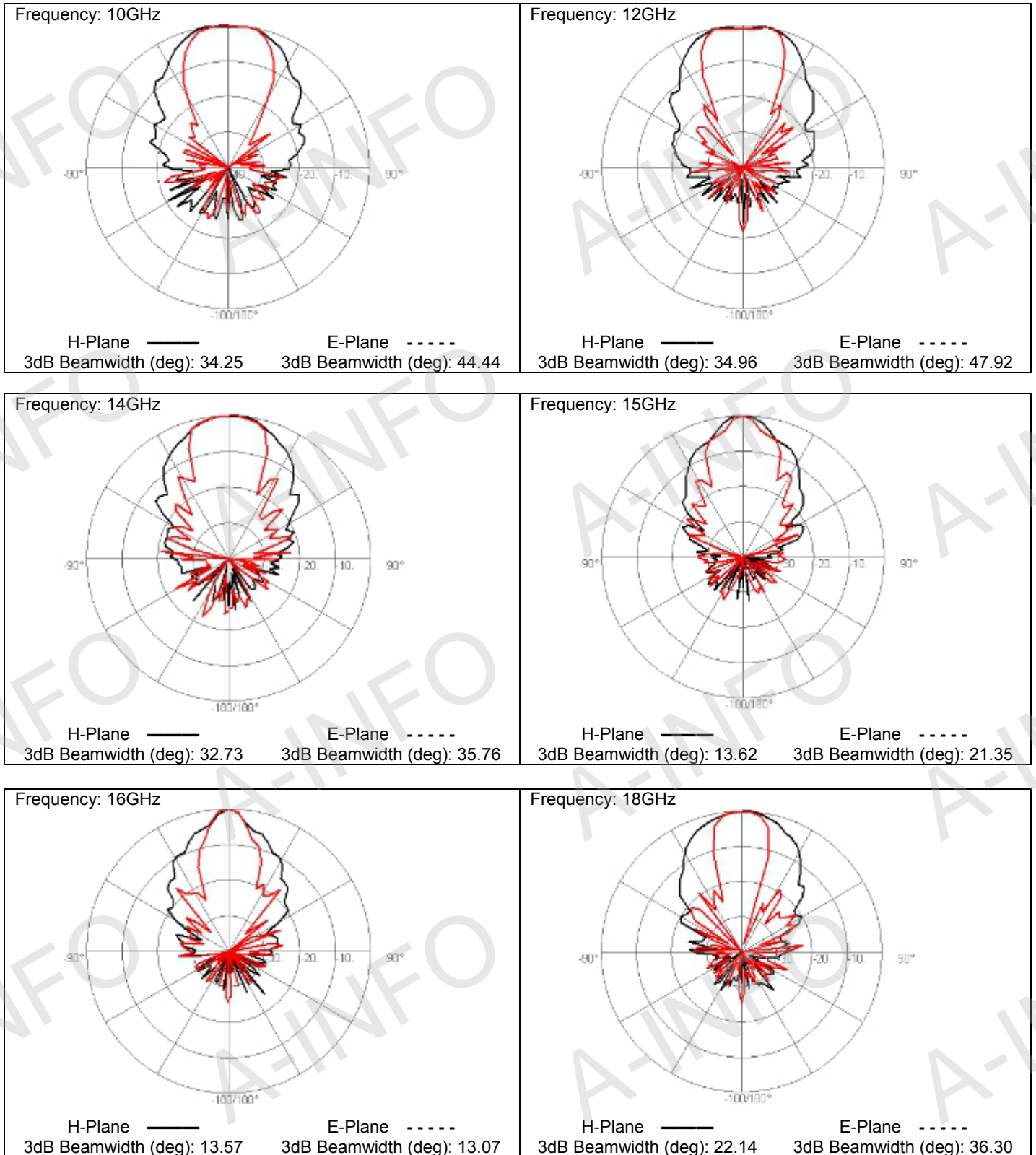


H-Plane ——— E-Plane - - - - -
3dB Beamwidth (deg): 34.08 3dB Beamwidth (deg): 46.42

Broadband Horn Antenna 0.7~18GHz(continued)

P/N: LB-7180

Pattern



Broadband Horn Antenna 0.8~8.0GHz

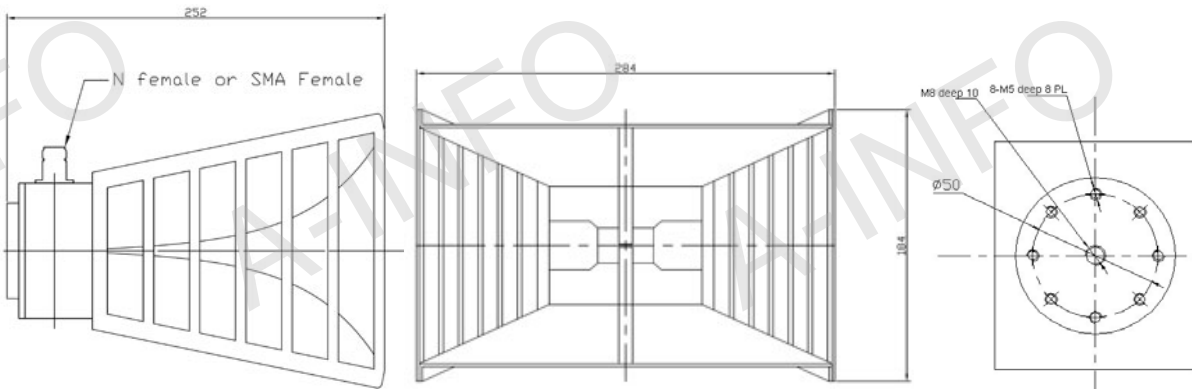
P/N: LB-880



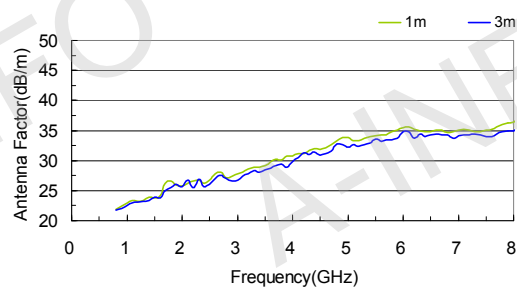
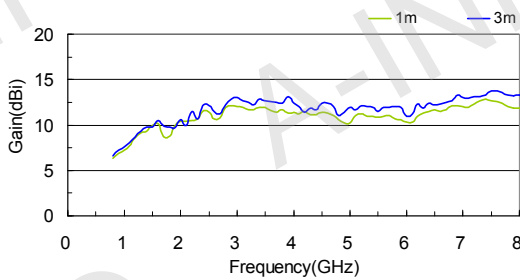
Technical Specification

Frequency Range(GHz)	0.8-8
Gain(dB)	10 Typ.
Polarization	Linear
VSWR	2.0:1 Typ.
Connector	N-Female/SMA-Female
Power Handling(W) CW	N-Female: 300 Max SMA-Female: 50 Max
Size(mm)	284 x 184 x 252
Net Weight(Kg)	2.1 Around

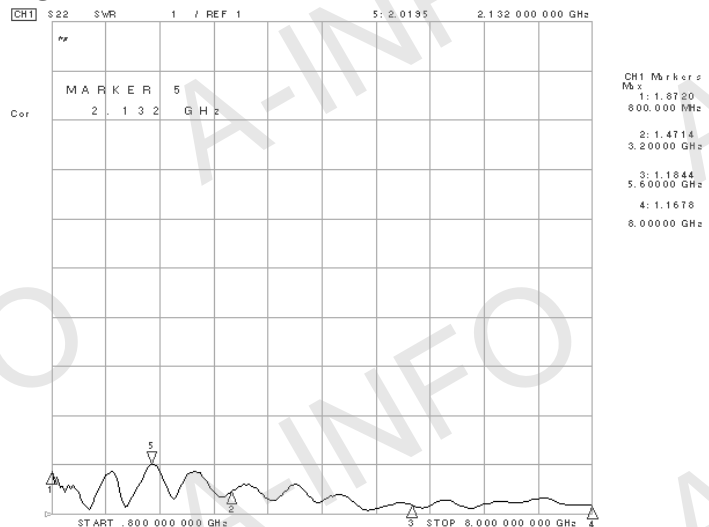
Outline Drawing and Mounting(Size: mm)



Gain and Antenna Factor



VSWR

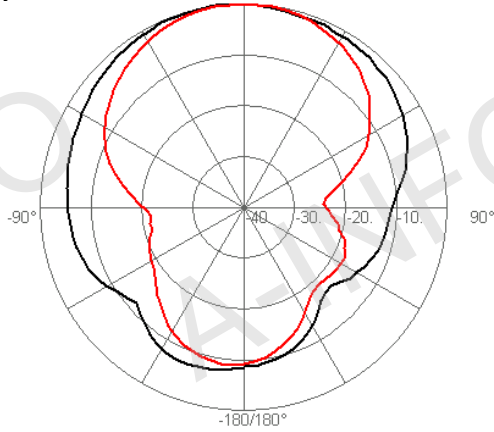


Broadband Horn Antenna 0.8~8.0GHz(continued)

P/N: LB-880

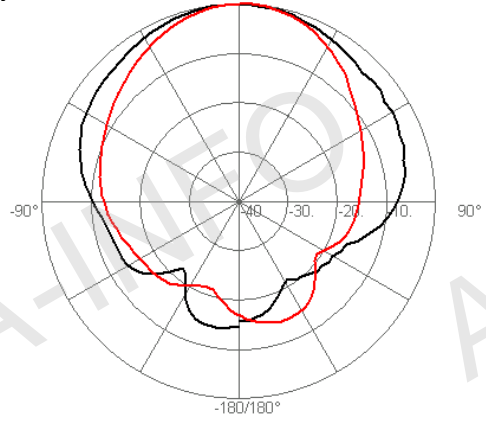
Pattern

Frequency: 0.8GHz



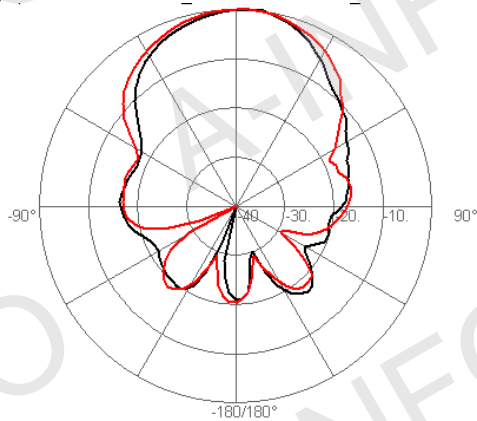
H-Plane — E-Plane —
 3dB Beamwidth (deg): 66.16 3dB Beamwidth (deg): 109.75

Frequency: 1GHz



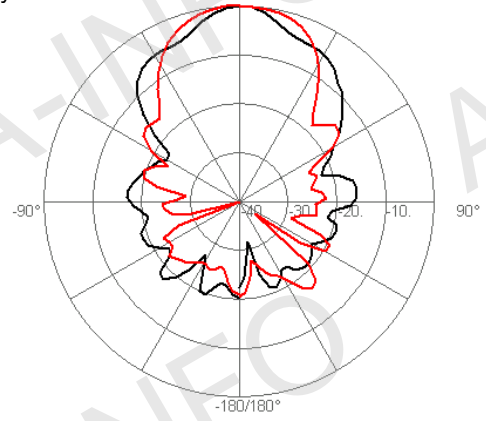
H-Plane — E-Plane —
 3dB Beamwidth (deg): 52.08 3dB Beamwidth (deg): 81.09

Frequency: 2GHz



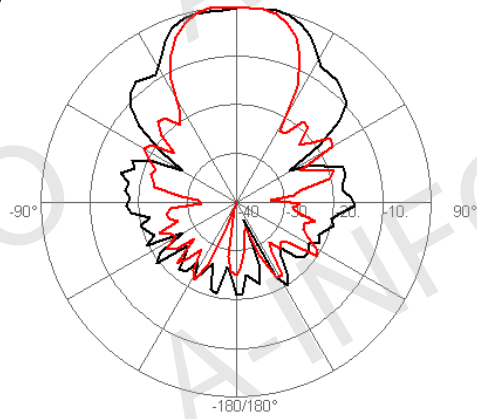
H-Plane — E-Plane - - - -
 3dB Beamwidth (deg): 53.97 3dB Beamwidth (deg): 44.74

Frequency: 4GHz



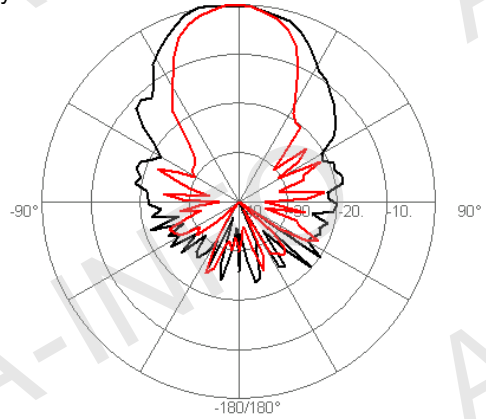
H-Plane — E-Plane - - - -
 3dB Beamwidth (deg): 42.50 3dB Beamwidth (deg): 26.12

Frequency: 6GHz



H-Plane — E-Plane - - - -
 3dB Beamwidth (deg): 35.72 3dB Beamwidth (deg): 46.19

Frequency: 8GHz



H-Plane — E-Plane - - - -
 3dB Beamwidth (deg): 30.79 3dB Beamwidth (deg): 40.86

Broadband Horn Antenna 0.8~18GHz

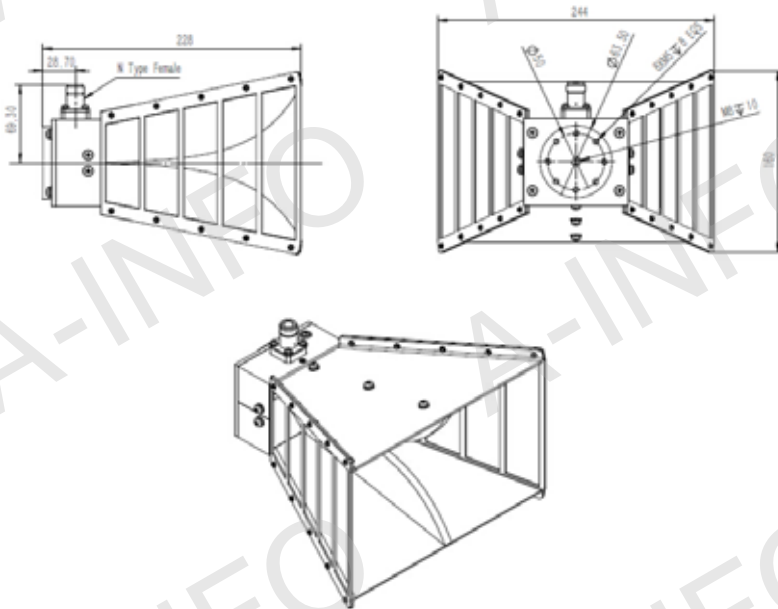
P/N: LB-8180



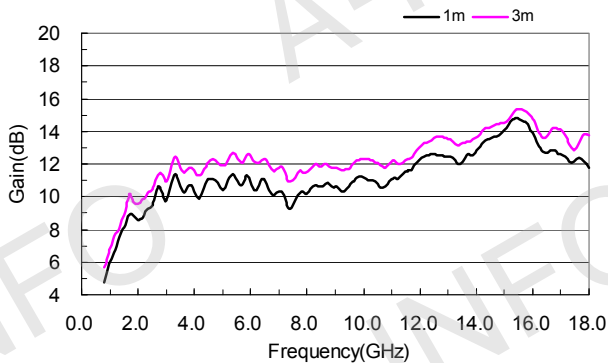
Technical Specification

Frequency Range(GHz)	0.8-18
Gain(dB)	12 Typ.
Polarization	Linear
VSWR	2.0:1 Typ.
Connector	N-Female/SMA-Female
Power Handling(W) CW	N-Female: 300 Max SMA-Female: 50 Max
Size(mm)	244x160x230
Net Weight(Kg)	1.5 Around

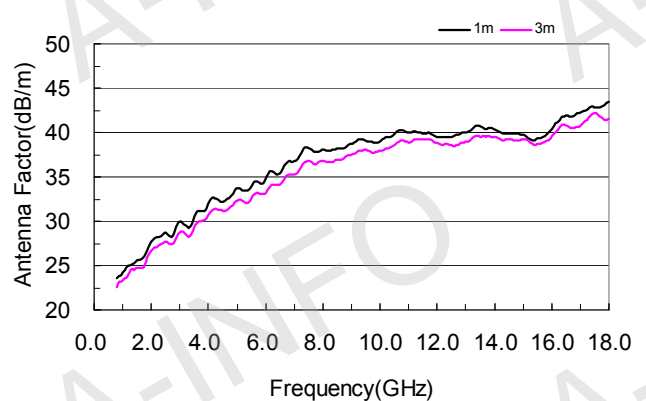
Outline Drawing and Mounting(Size: mm)



Gain



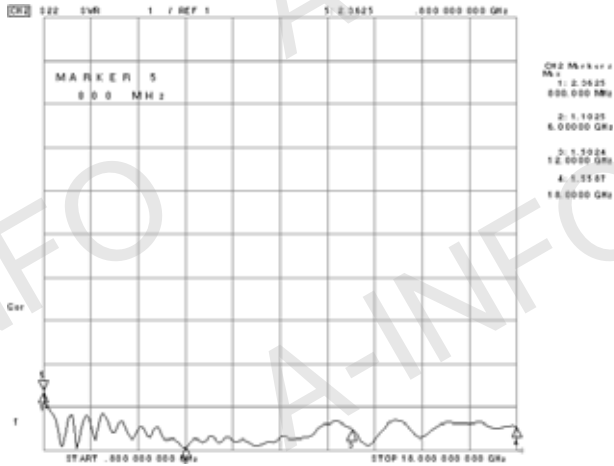
Antenna Factor



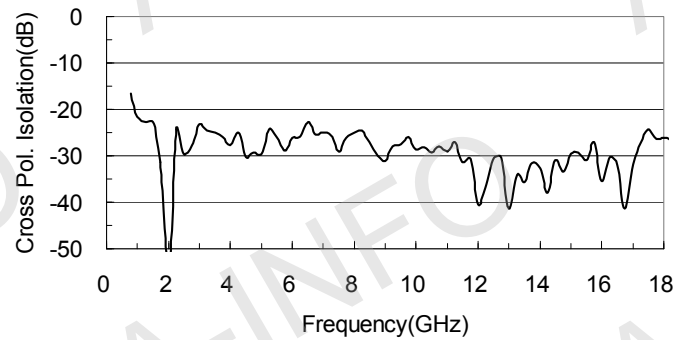
Broadband Horn Antenna 0.8~18GHz(continued)

P/N: LB-8180

VSWR

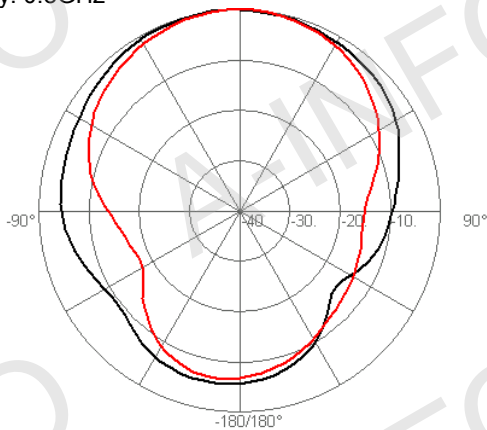


Cross Polarization Isolation

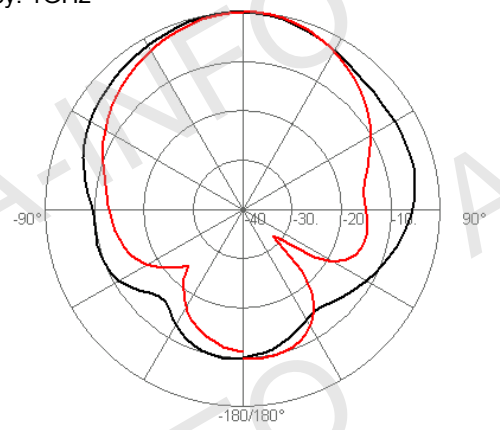


Pattern

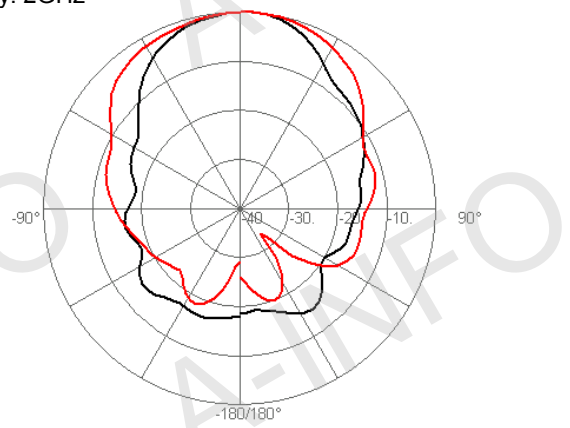
Frequency: 0.8GHz



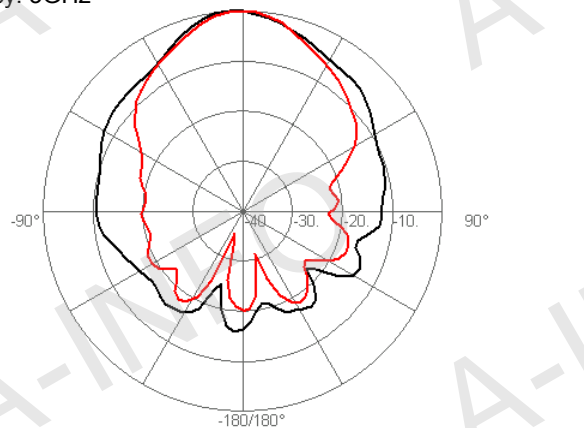
Frequency: 1GHz



Frequency: 2GHz



Frequency: 3GHz

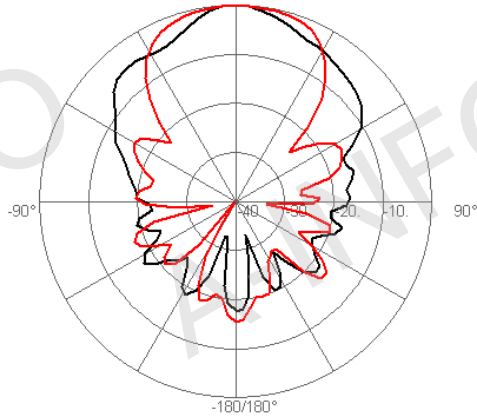


Broadband Horn Antenna 0.8~18GHz(continued)

P/N: LB-8180

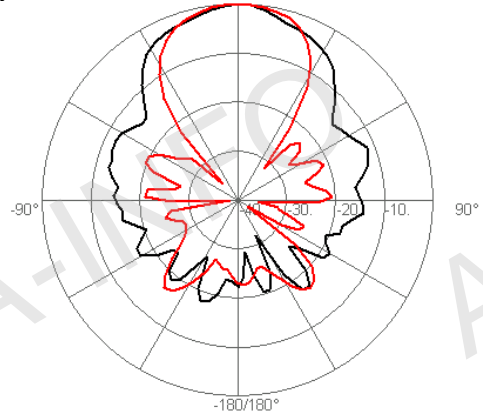
Pattern

Frequency: 4GHz



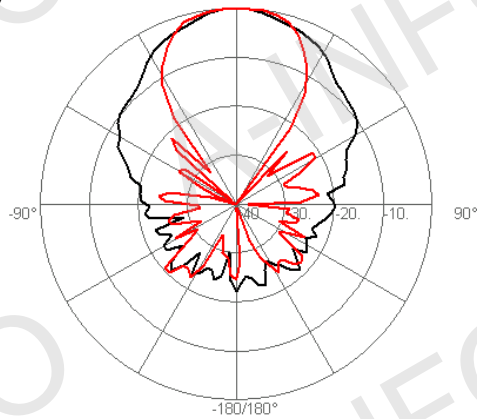
H-Plane ——— E-Plane - - - - -
3dB Beamwidth (deg): 52.66 3dB Beamwidth (deg): 32.98

Frequency: 5GHz



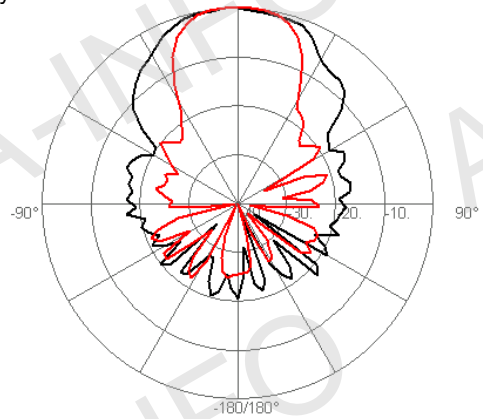
H-Plane ——— E-Plane - - - - -
3dB Beamwidth (deg): 41.04 3dB Beamwidth (deg): 42.57

Frequency: 6GHz



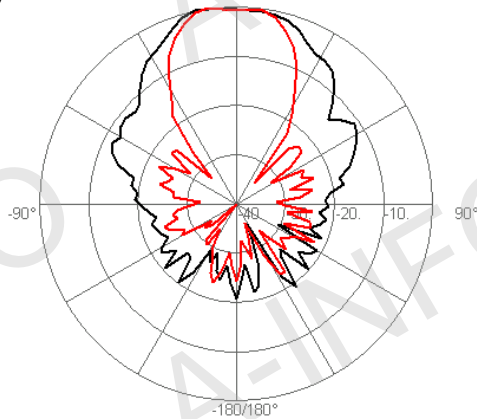
H-Plane ——— E-Plane - - - - -
3dB Beamwidth (deg): 39.53 3dB Beamwidth (deg): 44.56

Frequency: 7GHz



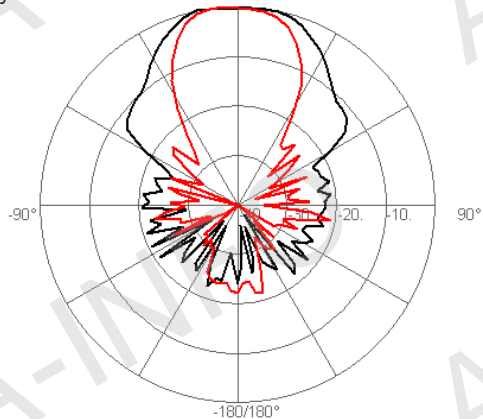
H-Plane ——— E-Plane - - - - -
3dB Beamwidth (deg): 36.30 3dB Beamwidth (deg): 49.21

Frequency: 8GHz



H-Plane ——— E-Plane - - - - -
3dB Beamwidth (deg): 32.88 3dB Beamwidth (deg): 42.74

Frequency: 9GHz

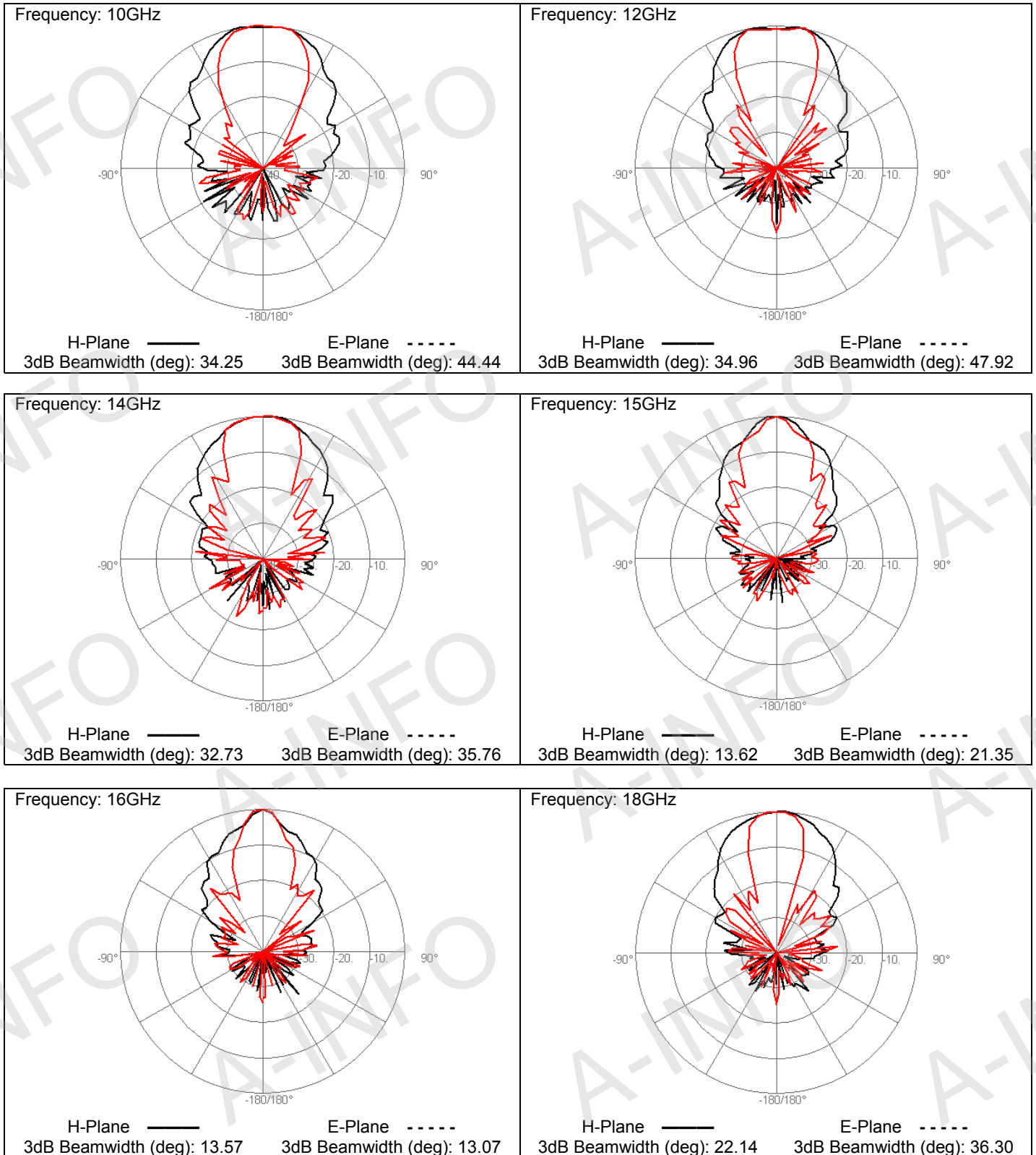


H-Plane ——— E-Plane - - - - -
3dB Beamwidth (deg): 34.08 3dB Beamwidth (deg): 46.42

Broadband Horn Antenna 0.8~18GHz(continued)

P/N: LB-8180

Pattern



Broadband Horn Antenna 1.0~2.5GHz

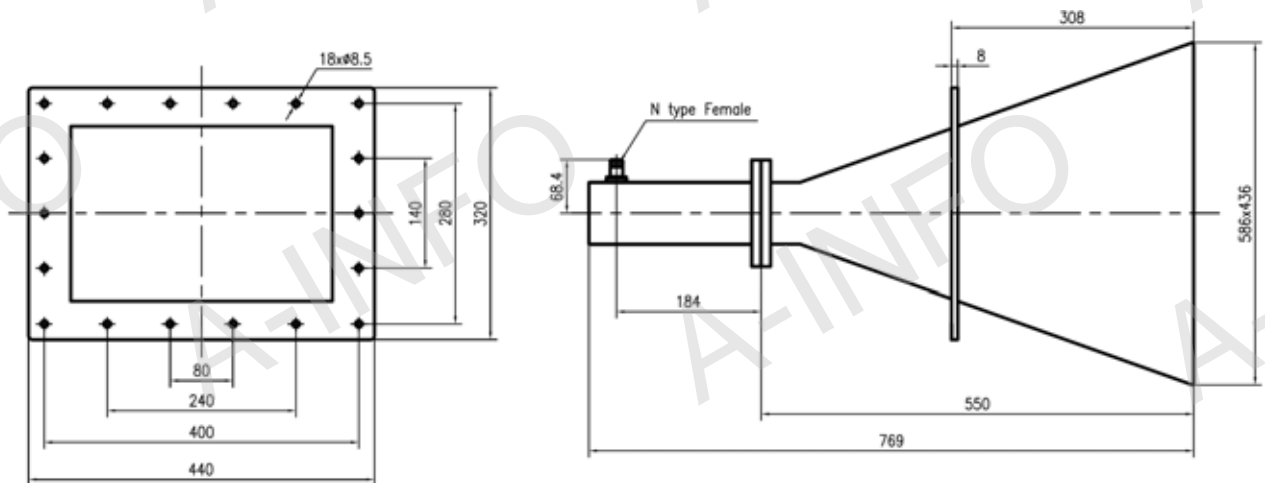
P/N: LB-1025



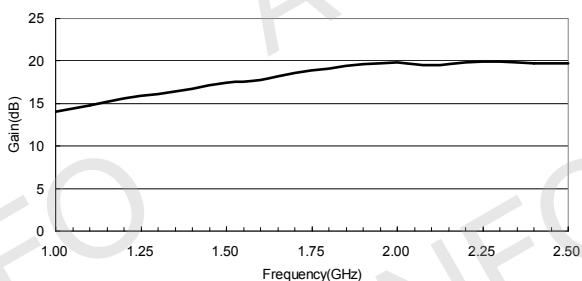
Technical Specification

Frequency Range(GHz)	1.0-2.5
Gain(dB)	14.5-19 Typ.
Polarization	Linear
VSWR	1.5:1 Typ.
Connector	N-Female or 7/16 Female
Power Handling(W) CW	500 Max
Size(mm)	586 x 436 x 769
Net Weight(Kg)	10.4 Around

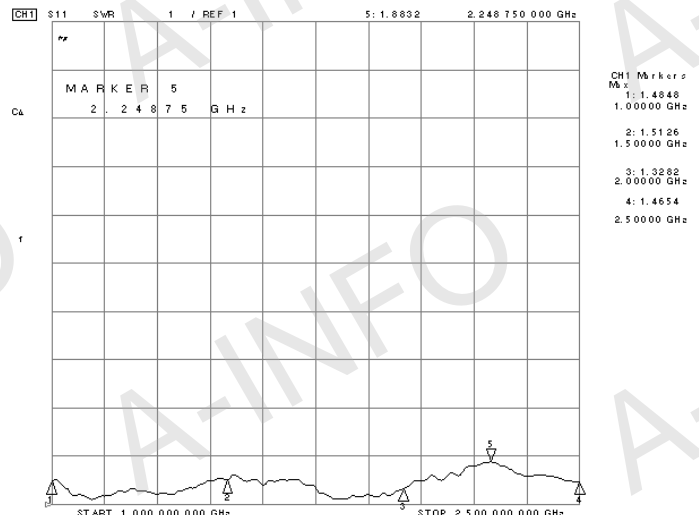
Outline Drawing(Size: mm)



Gain



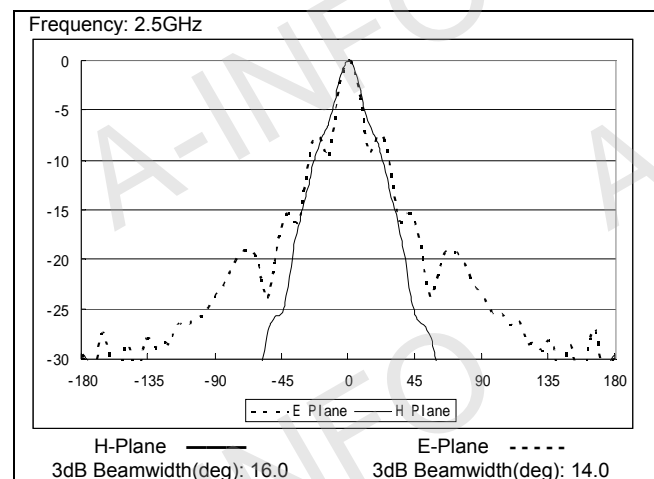
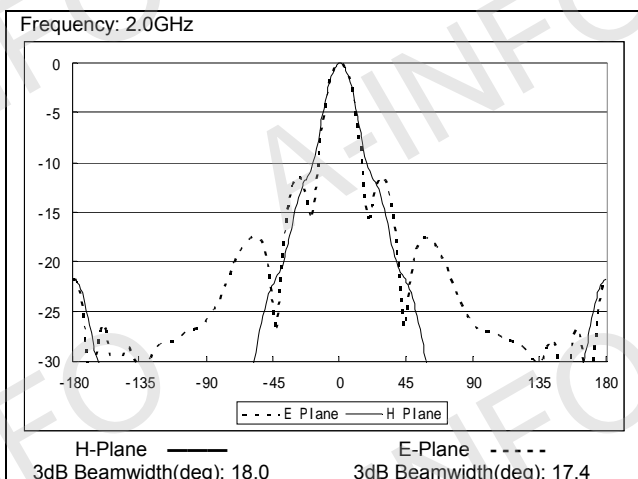
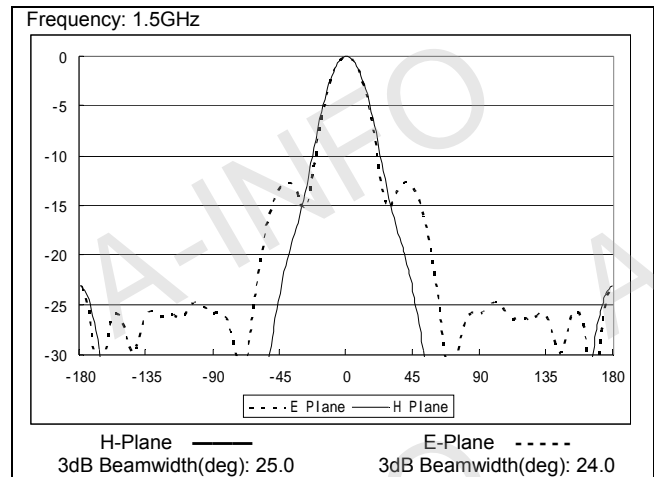
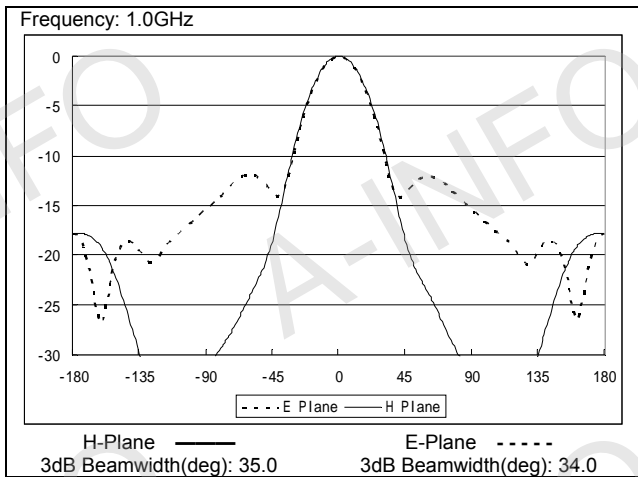
VSWR



Broadband Horn Antenna 1.0~2.5GHz(continued)

P/N: LB-1025

Pattern



Broadband Horn Antenna 1.0~18.0GHz

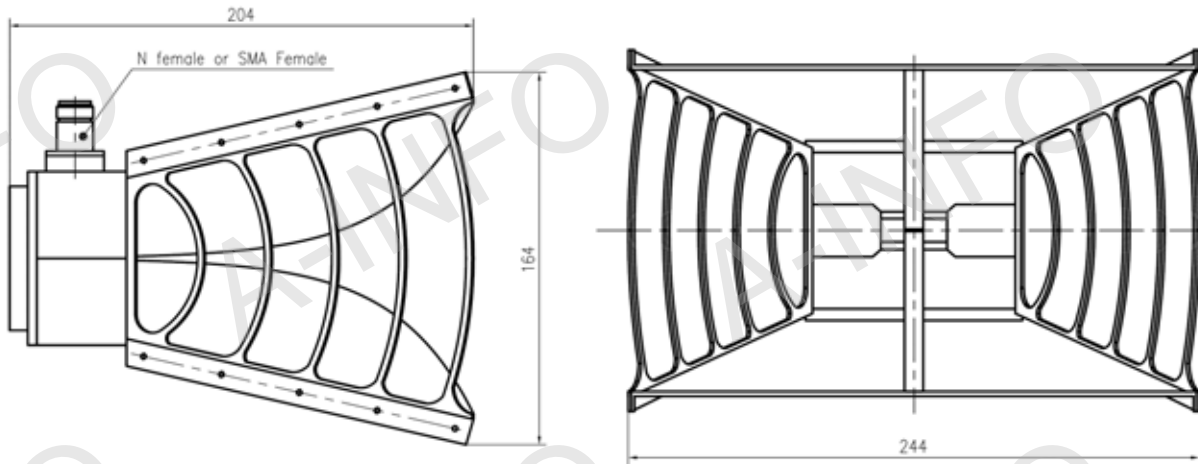
P/N: LB-10180



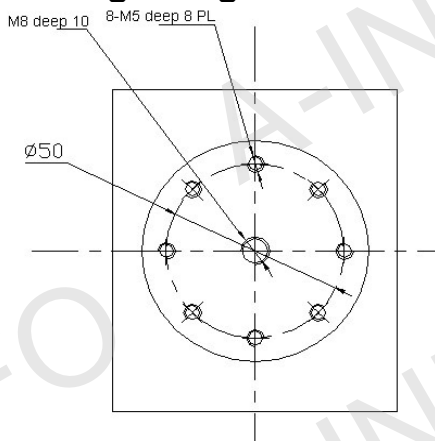
Technical Specification

Frequency Range(GHz)	1-18
Gain(dB)	11 Typ.
Polarization	Linear
VSWR	1.5:1 Typ.
Connector	N-Female/SMA-Female
Power Handling(W) CW	N-Female: 300 Max SMA-Female: 50 Max
Size(mm)	244x164x204
Net Weight(Kg)	1.4 Around

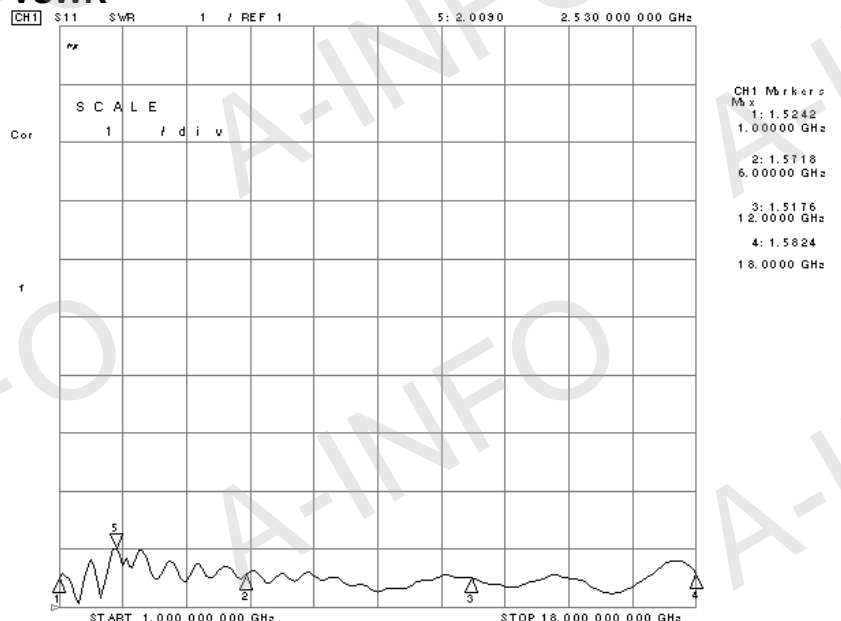
Outline Drawing(Size: mm)



Mounting Flange



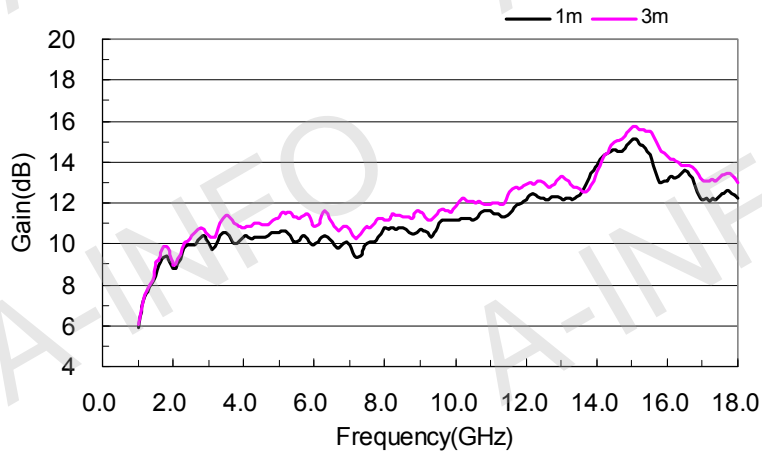
VSWR



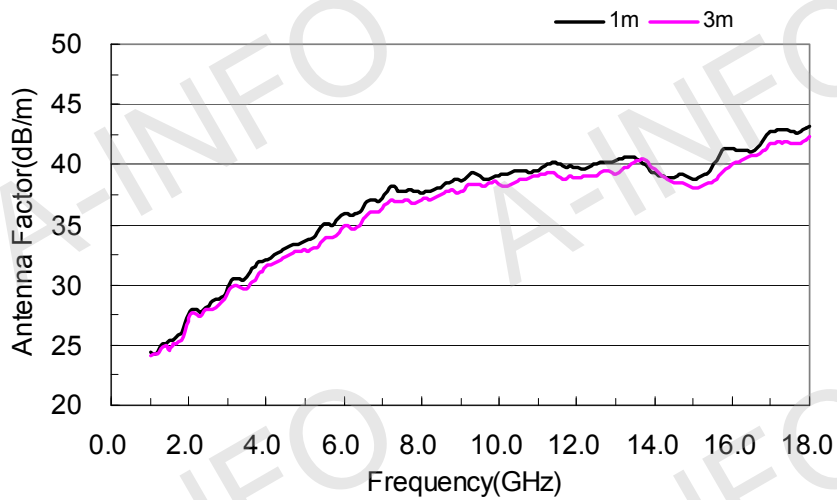
Broadband Horn Antenna 1.0~18.0GHz(continued)

P/N: LB-10180

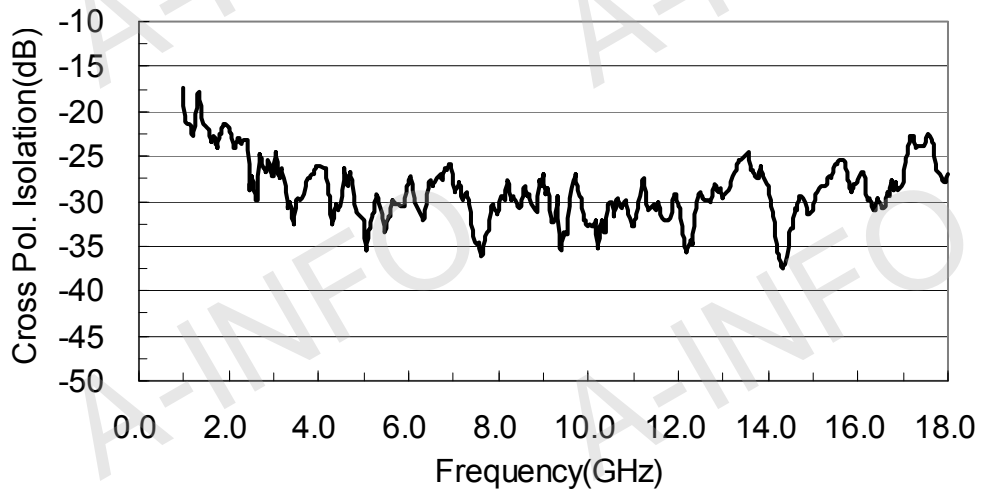
Gain



Antenna Factor



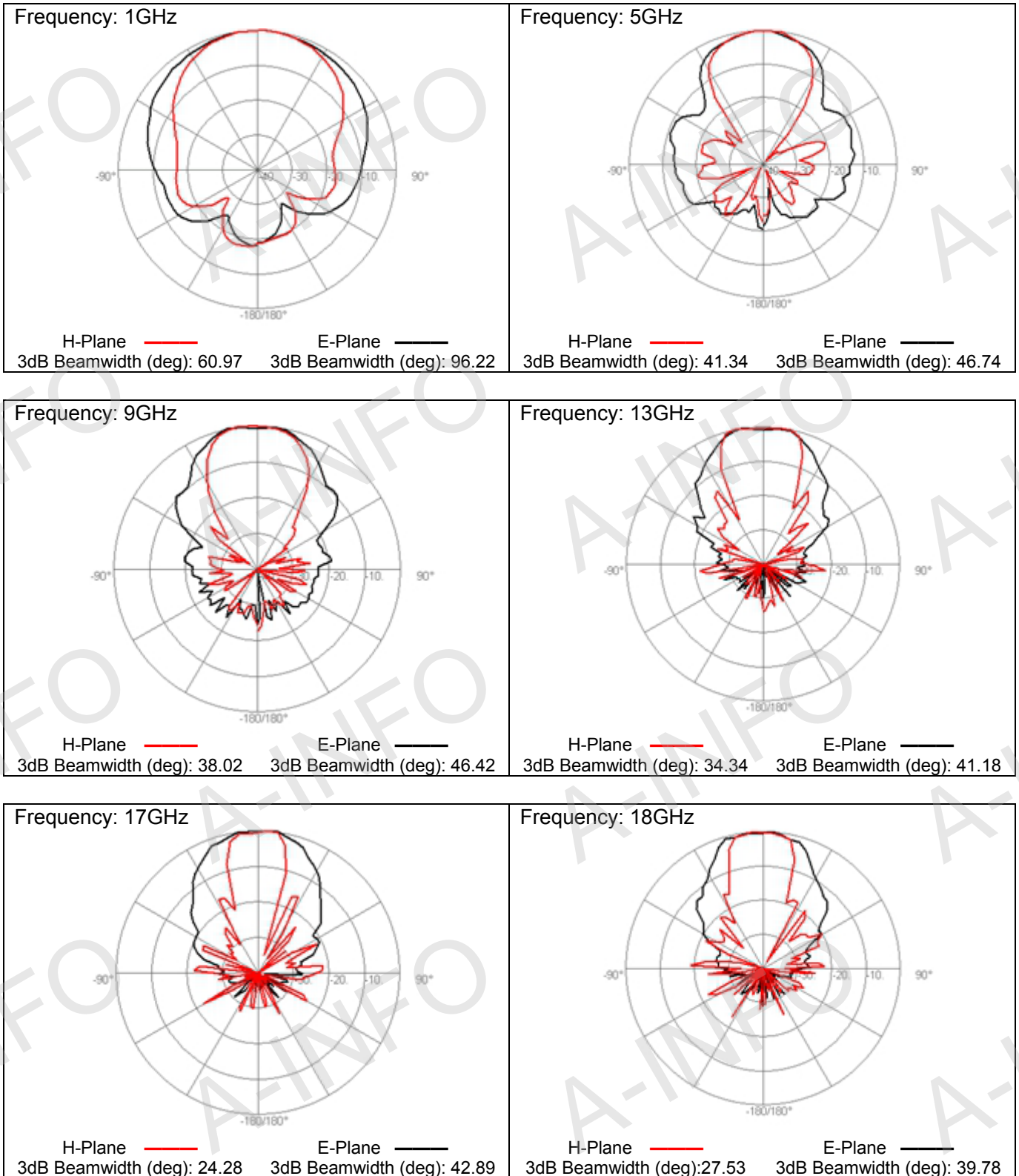
Cross Polarization Isolation



Broadband Horn Antenna 1.0~18.0GHz(continued)

P/N: LB-10180

Pattern



Broadband Horn Antenna 2.0~6.0GHz

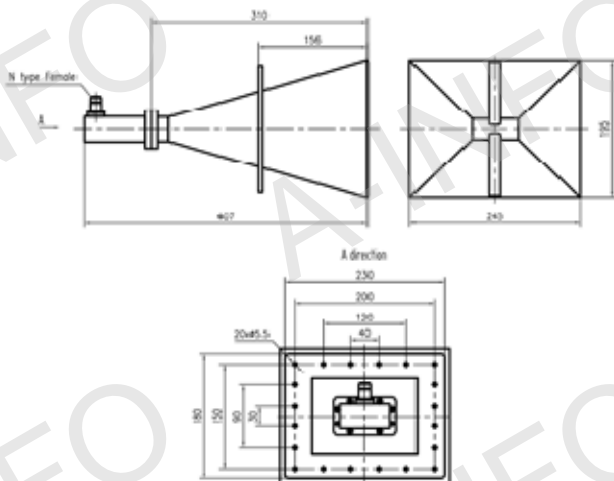
P/N: LB-2060-H



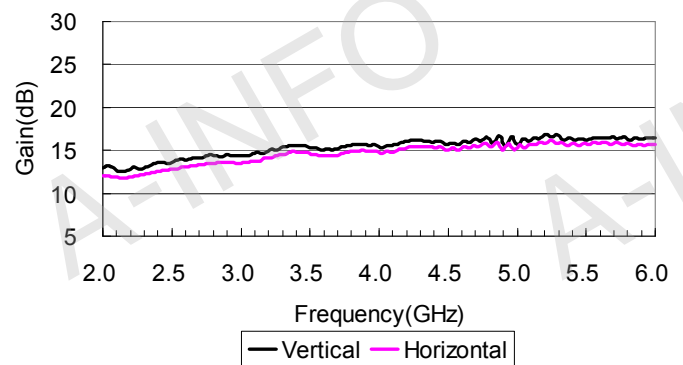
Technical Specification

Frequency Range(GHz)	2.0 - 6.0
Gain(dB)	15 Typ.
Polarization	Linear
Cross Pol. Isolation (dB)	20 Min. 25 Typ.
VSWR	2.0 Max. 1.3 Typ.
3dB Beamwidth (deg.)	H Plane: 17 - 40 E Plane: 20 - 37
Connector	N-Female
Power Handling(W) CW	300 Max
Size(mm)	245x195x407
Net Weight(Kg)	2.6 Around (Including mounting bracket)

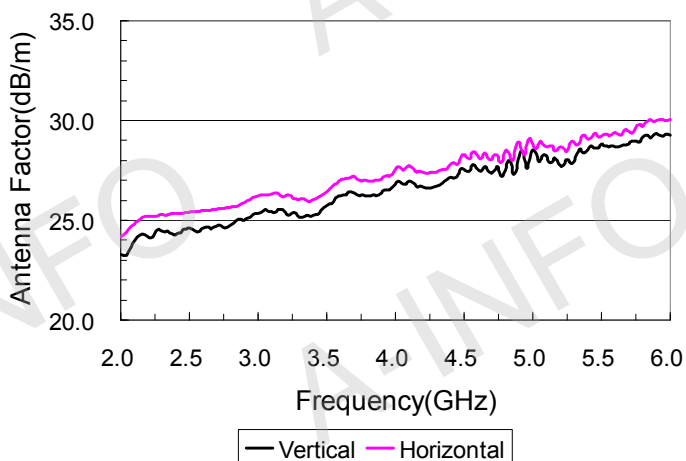
Outline Drawing(Size:mm)



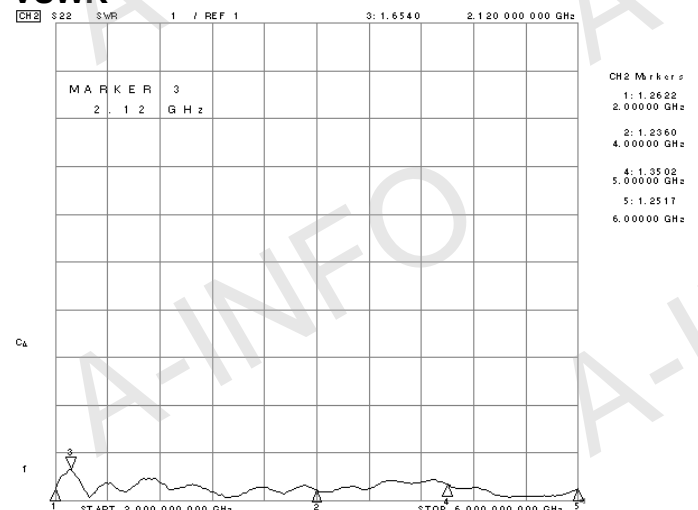
Gain @ 1m distance



Antenna Factor @ 1m distance



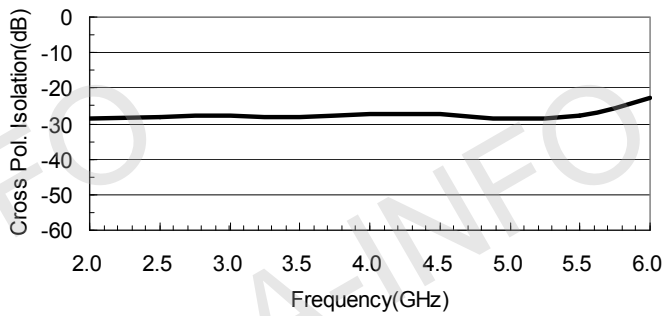
VSWR



Broadband Horn Antenna 2.0~6.0GHz(continued)

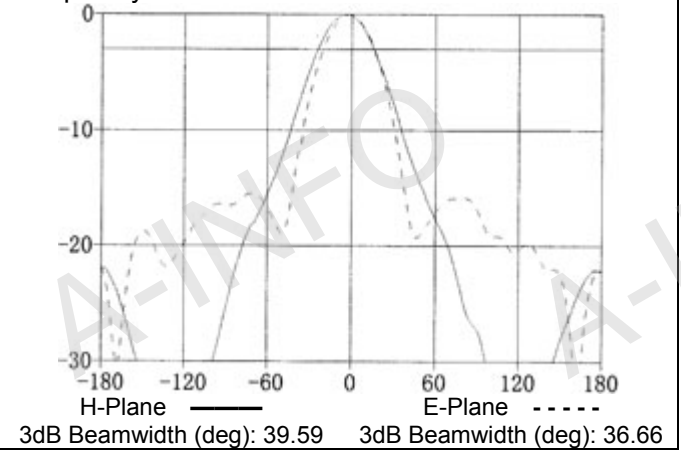
P/N: LB-2060-H

Cross Polarization Isolation

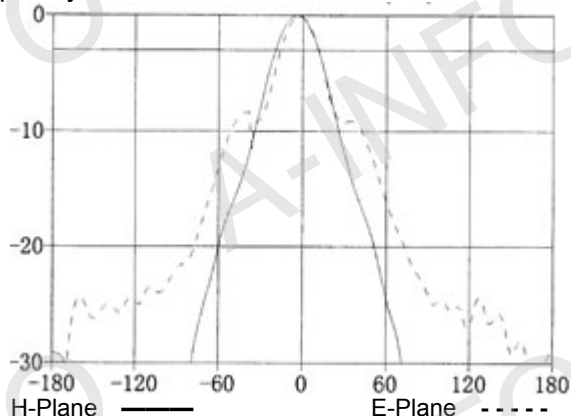


Pattern

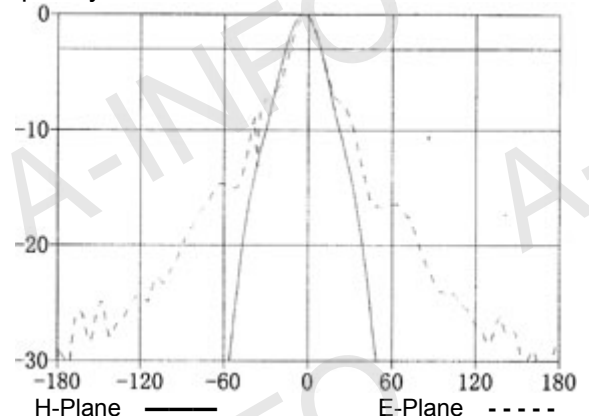
Frequency: 2.0GHz



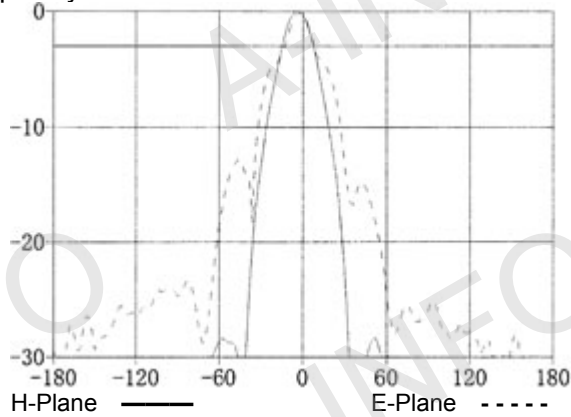
Frequency: 3.0GHz



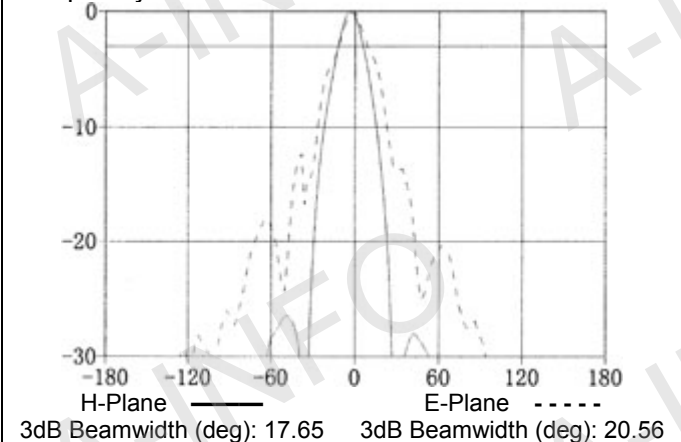
Frequency: 4.0GHz



Frequency: 5.0GHz



Frequency: 6.0GHz



Broadband Horn Antenna 2.0~18.0GHz

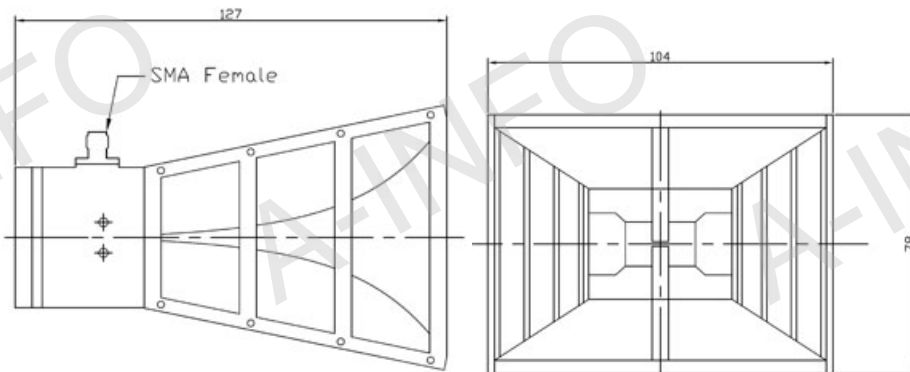
P/N: LB-20180



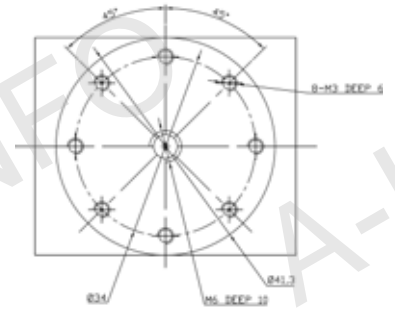
Technical Specification

Frequency Range(GHz)	2 - 18
Gain(dB)	12 Typ.
Polarization	Linear
VSWR	1.5:1 Typ. 2.5:1 Max
Cross Pol. Isolation(dB)	25 Typ.
Connector	SMA-Female/N-Female
Power Handling(W) CW	SMA-Female: 50 Max N-Female: 150 Max
Size(mm)	104x78x127
Net Weight(Kg)	0.4 Around

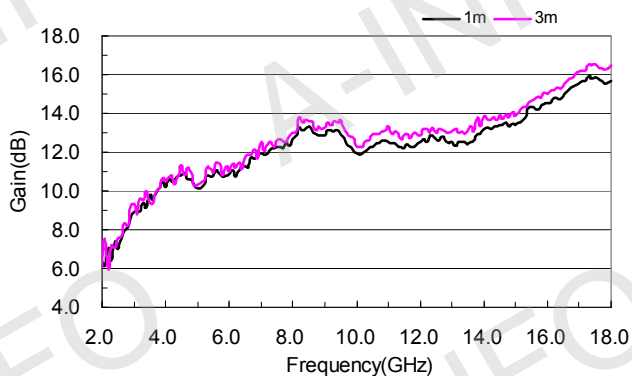
Outline Drawing(Size: mm)



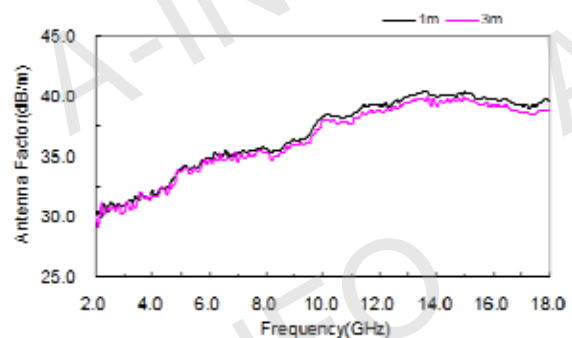
Mounting(Size: mm)



Gain



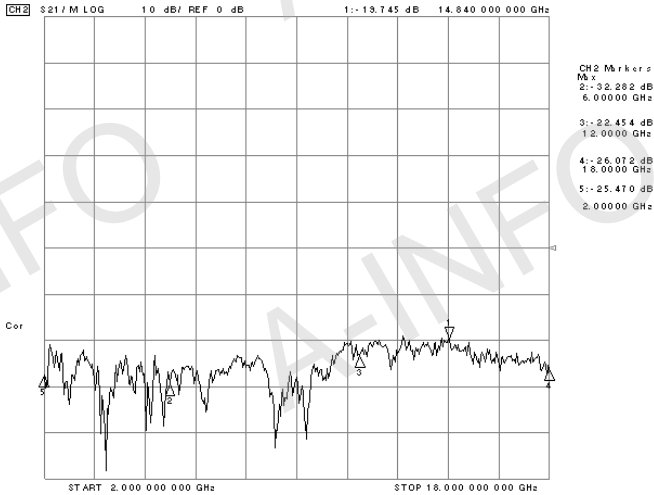
Antenna Factor



Broadband Horn Antenna 2.0~18.0GHz(continued)

P/N: LB-20180

Cross Pol. Isolation

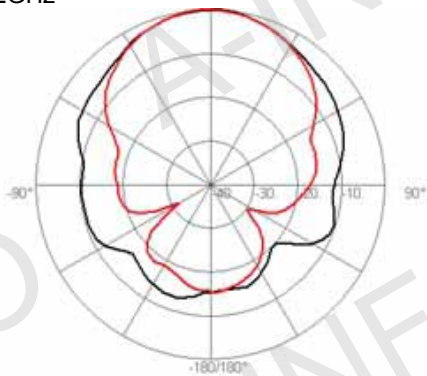


VSWR



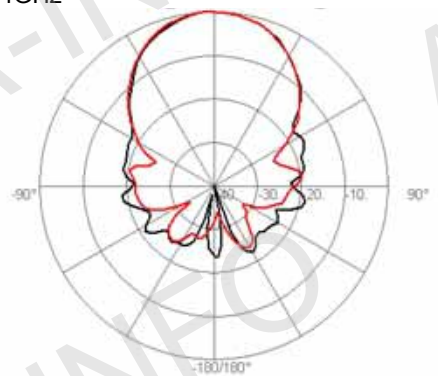
Pattern

Frequency: 2GHz



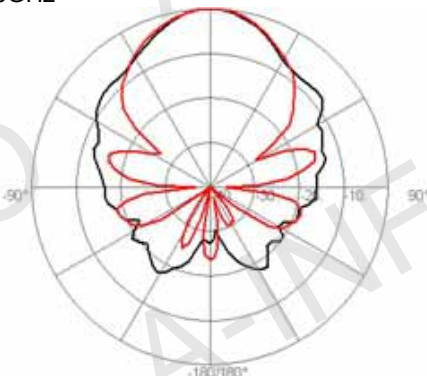
H-Plane 3dB Beamwidth (deg): 56.65
 E-Plane 3dB Beamwidth (deg): 58.90

Frequency: 4GHz



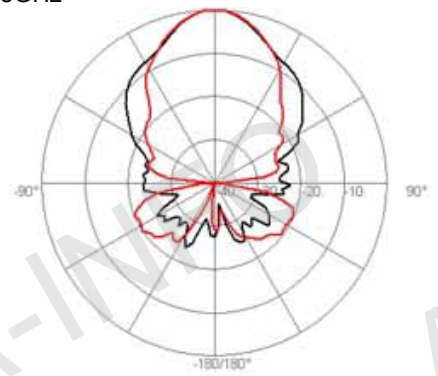
H-Plane 3dB Beamwidth (deg): 44.42
 E-Plane 3dB Beamwidth (deg): 43.47

Frequency: 6GHz



H-Plane 3dB Beamwidth (deg): 38.01
 E-Plane 3dB Beamwidth (deg): 34.62

Frequency: 8GHz

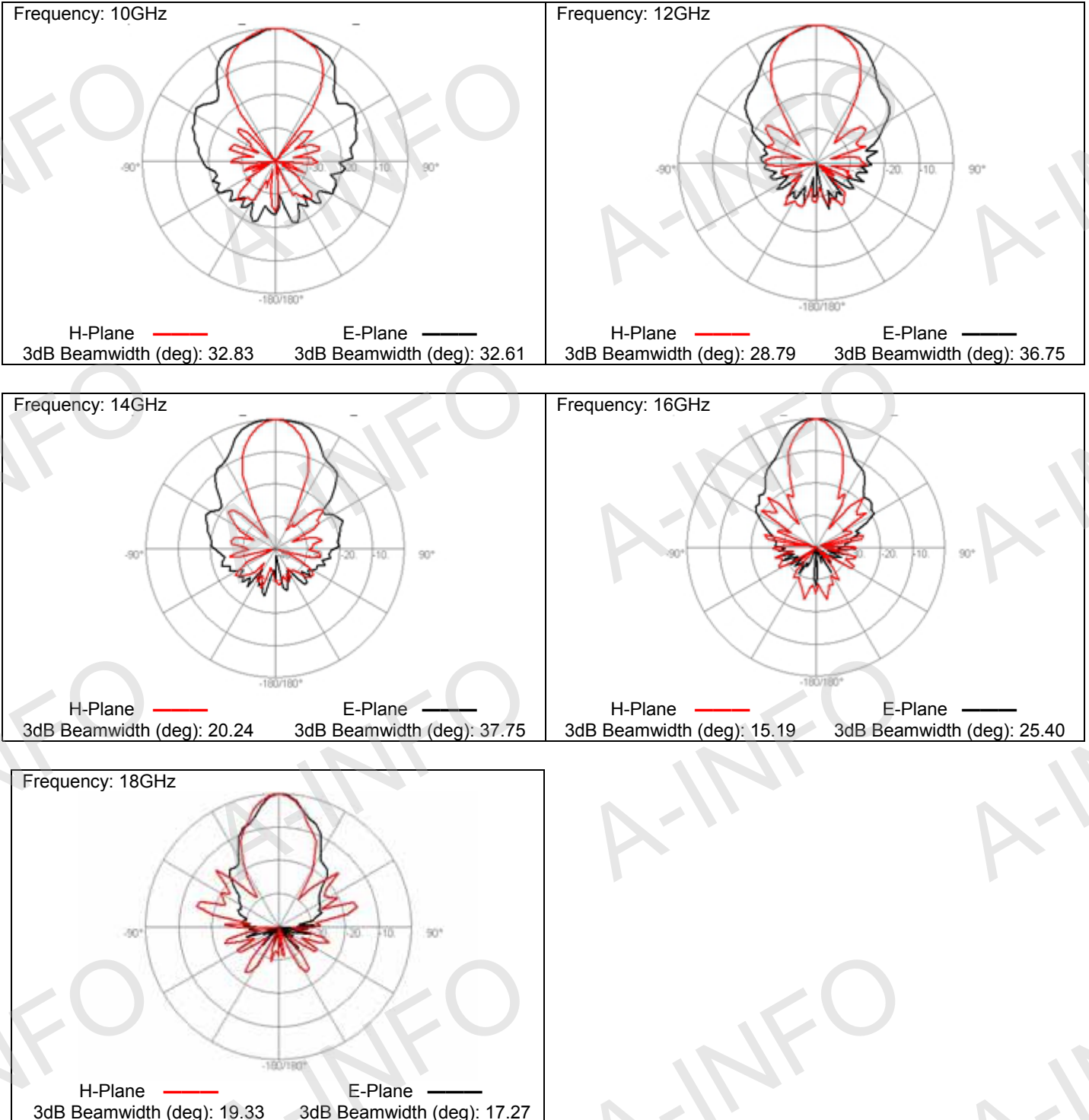


H-Plane 3dB Beamwidth (deg): 28.91
 E-Plane 3dB Beamwidth (deg): 27.18

Broadband Horn Antenna 2.0~18.0GHz(continued)

P/N: LB-20180

Pattern



Broadband Horn Antenna 2.0~18.0GHz, High Gain

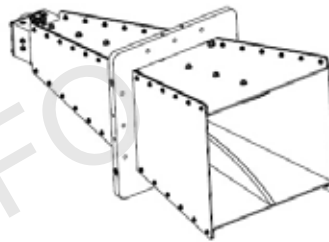
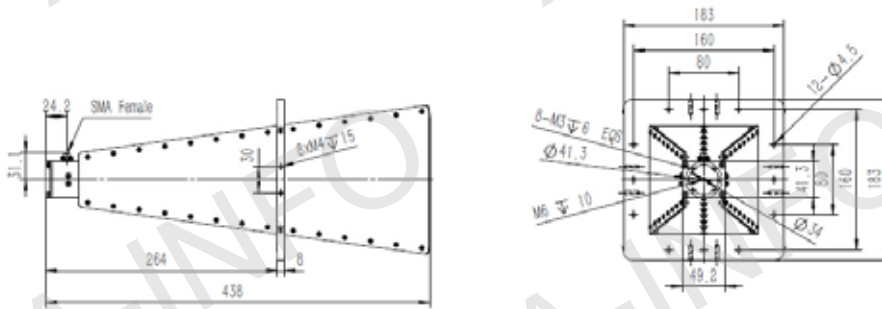
P/N: LB-20180H



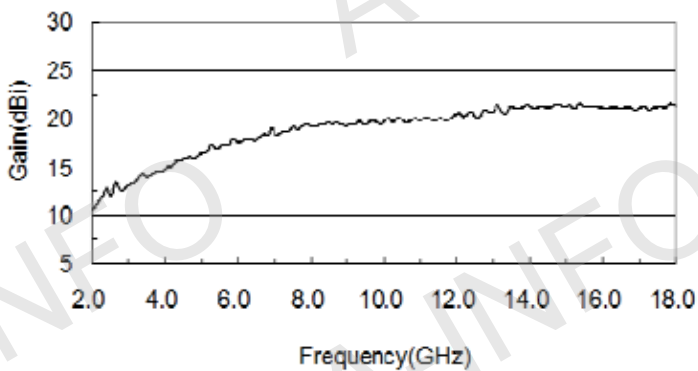
Technical Specification

Frequency Range(GHz)	2 - 18
Gain(dB)	10-22 Typ.
Polarization	Linear
VSWR	1.5:1 Typ. 2.5:1 Max
Cross Pol. Isolation(dB)	-25 Typ.
Connector	SMA-Female/N-Female
Power Handling(W) CW	SMA-Female: 50 Max N-Female: 150 Max
Size(mm)	438x183x183
Net Weight(Kg)	2.12 Around

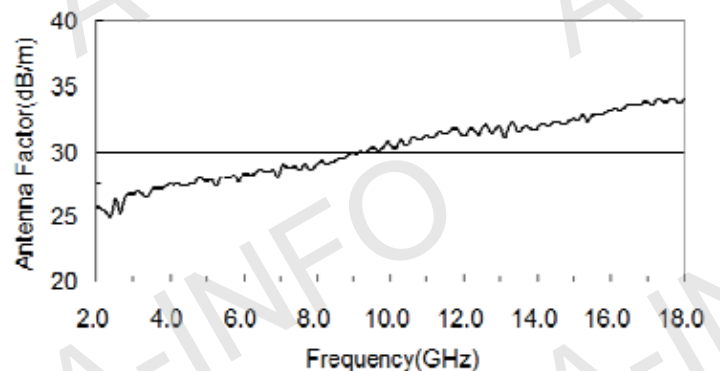
Outline Drawing(Size: mm)



Gain



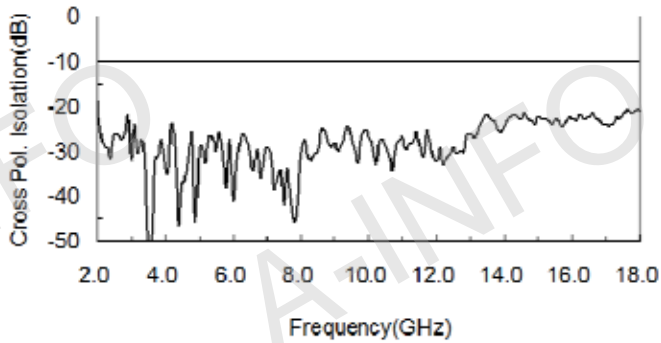
Antenna Factor



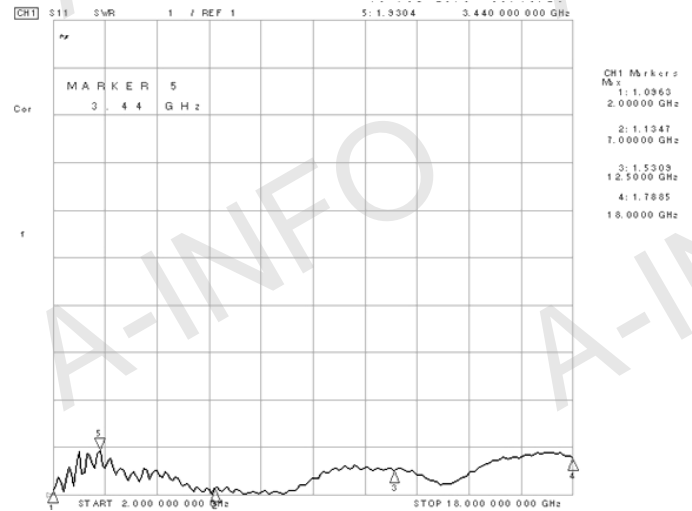
Broadband Horn Antenna 2.0~18.0GHz, High Gain (continued)

P/N: LB-20180H

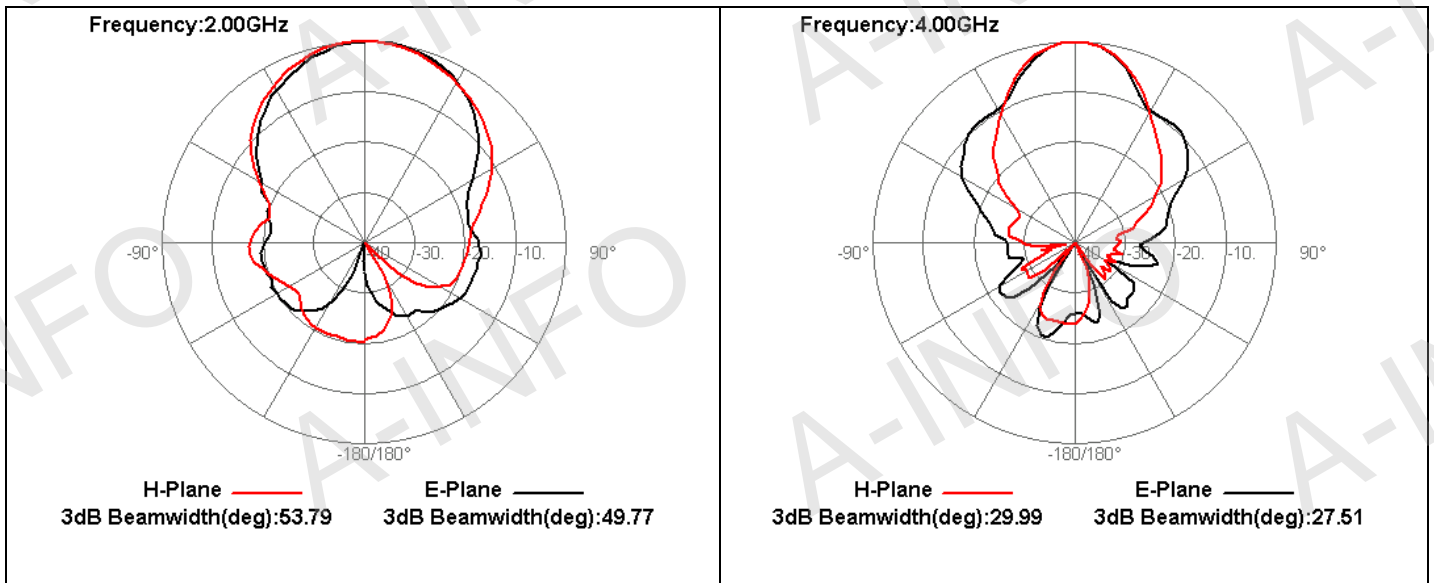
Cross Pol. Isolation



VSWR



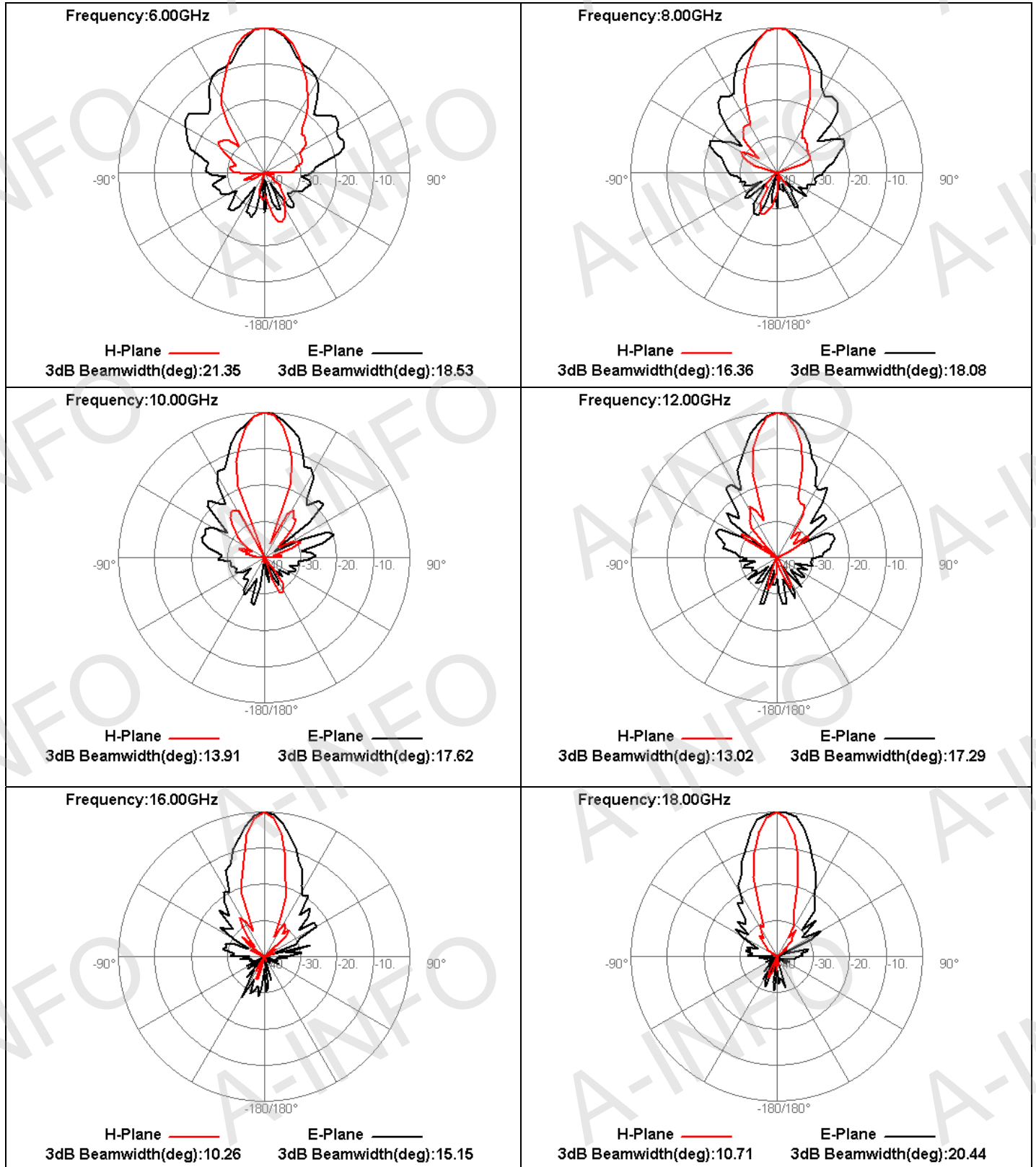
Pattern



Broadband Horn Antenna 2.0~18.0GHz, High Gain (continued)

P/N: LB-20180H

Pattern



Broadband Horn Antenna 2.0~24.5GHz

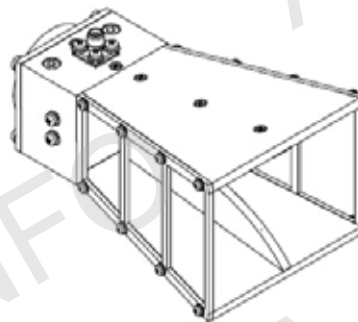
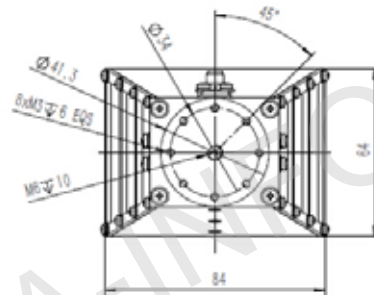
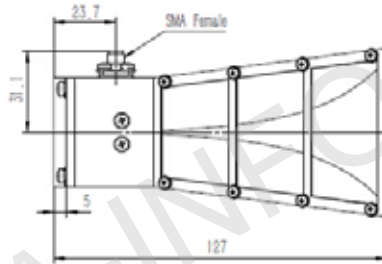
P/N: LB-20245



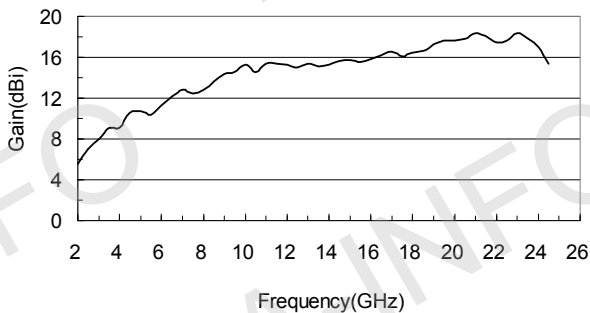
Technical Specification

Frequency Range(GHz)	2.0-24.5
Gain(dB)	13 Typ.
Polarization	Linear
VSWR	1.5:1 Typ. 3.0:1 Max
Connector	SMA-Female
Power Handling(W) CW	50 Max
Size(mm)	84x64x127
Net Weight(Kg)	0.35 Around

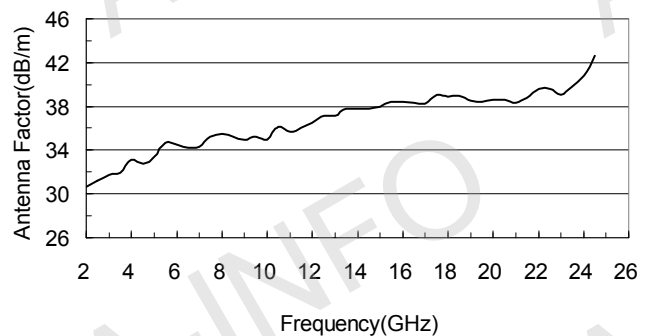
Outline Drawing(Size: mm)



Gain



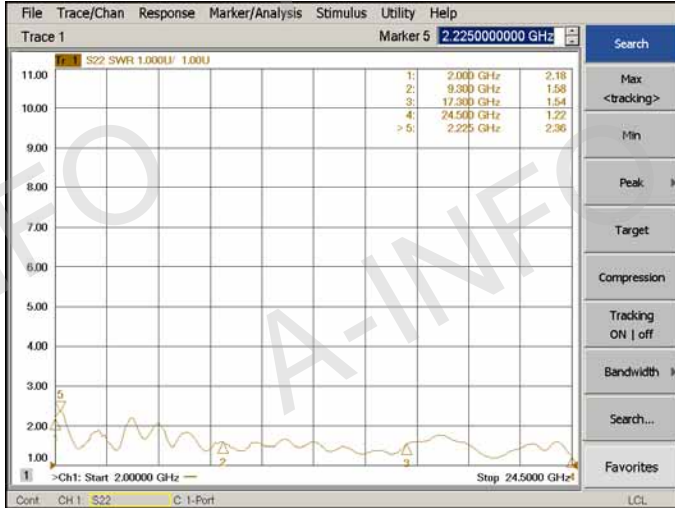
Antenna Factor



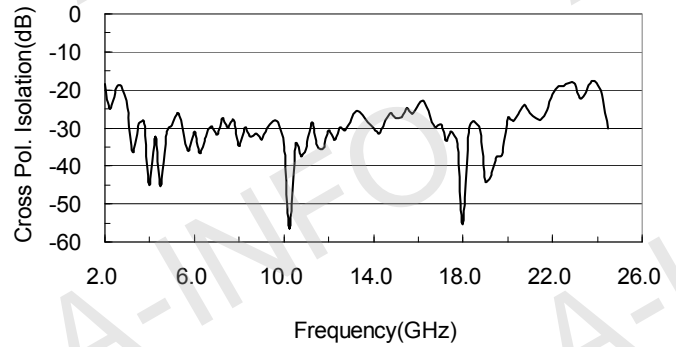
Broadband Horn Antenna 2.0~24.5GHz(continued)

P/N: LB-20245

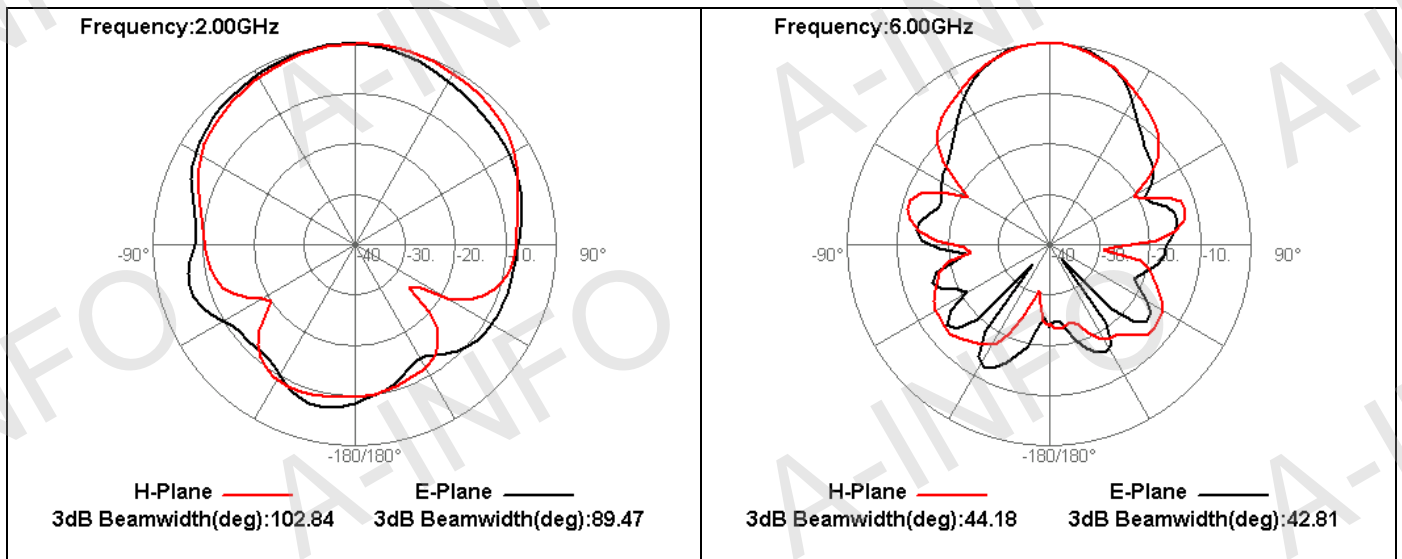
VSWR



Cross Pol. Isolation



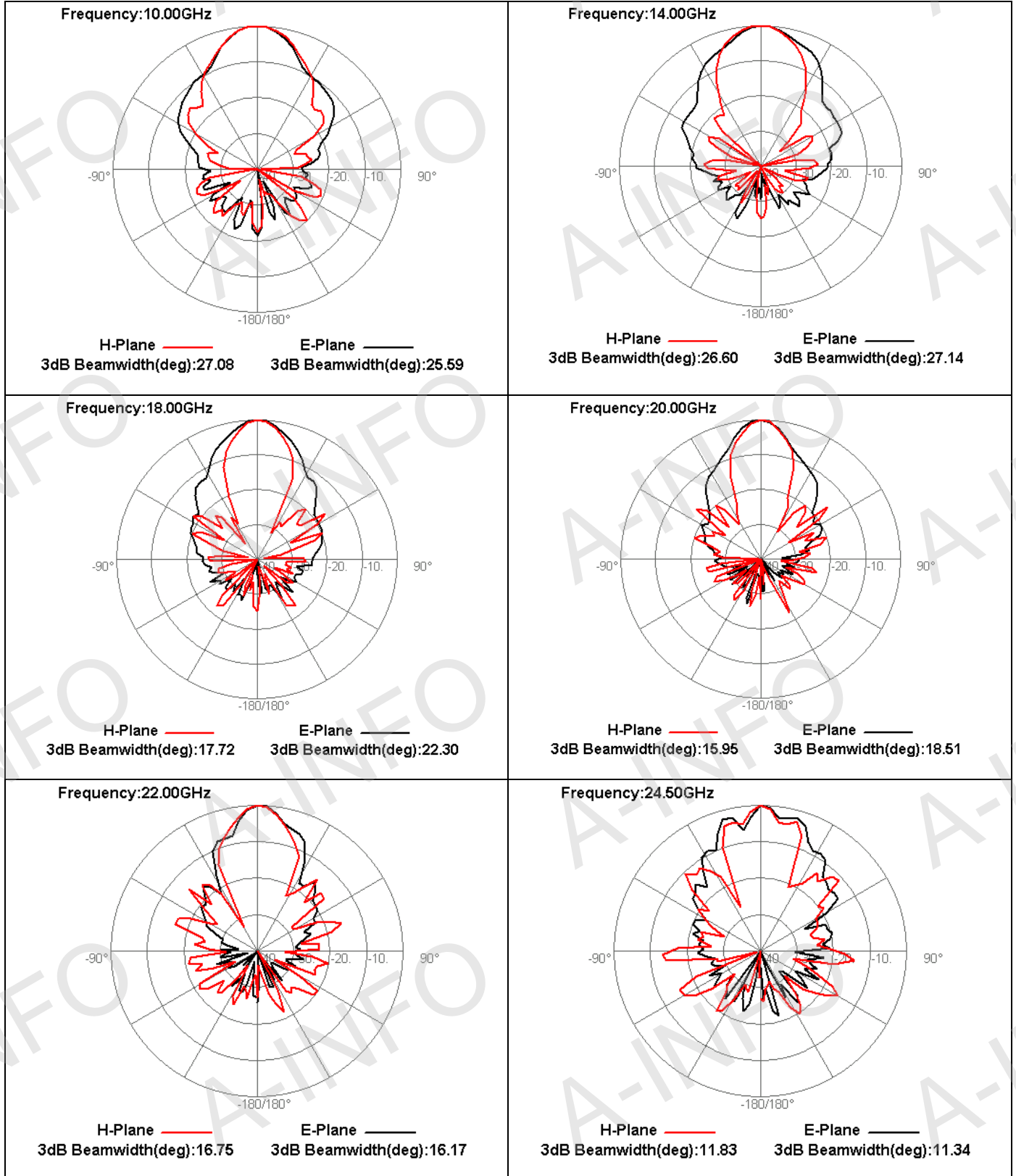
Pattern



Broadband Horn Antenna 2.0~24.5GHz(continued)

P/N: LB-20245

Pattern



Broadband Horn Antenna 18.0~40.0GHz

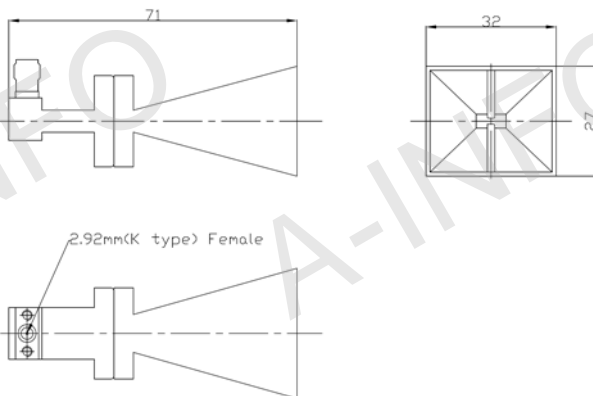
P/N: LB-180400



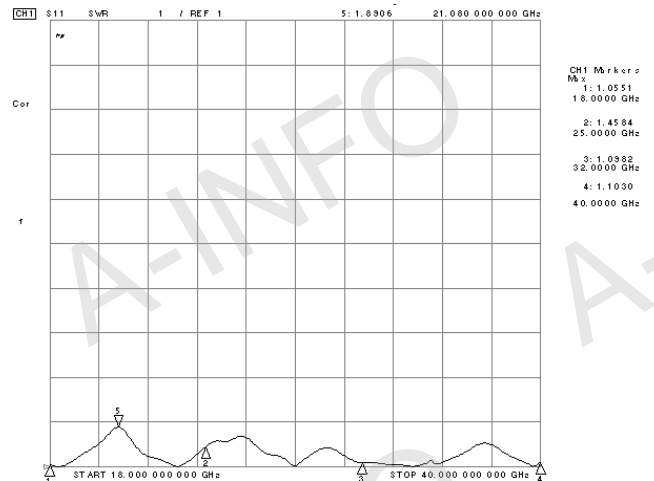
Technical Specification

Frequency Range(GHz)	18-40
Gain(dB)	15 Typ.
Polarization	Linear
Power Handling(W)	10
VSWR	1.5:1 Typ. 2.0:1 Max
Connector	2.92mm(K)-Female
Power Handling(W) CW	20 Max
Size(mm)	32x27x71
Net Weight(Kg)	0.08 Around

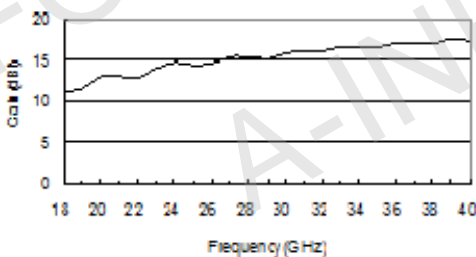
Outline Drawing (Size: mm)



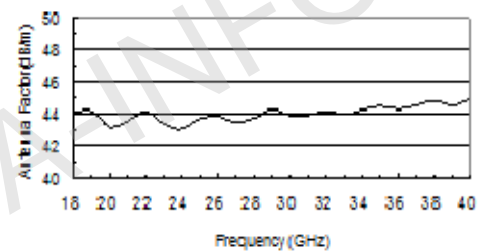
VSWR



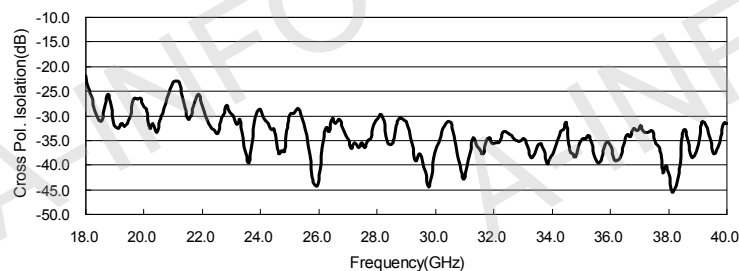
Gain



Antenna Factor



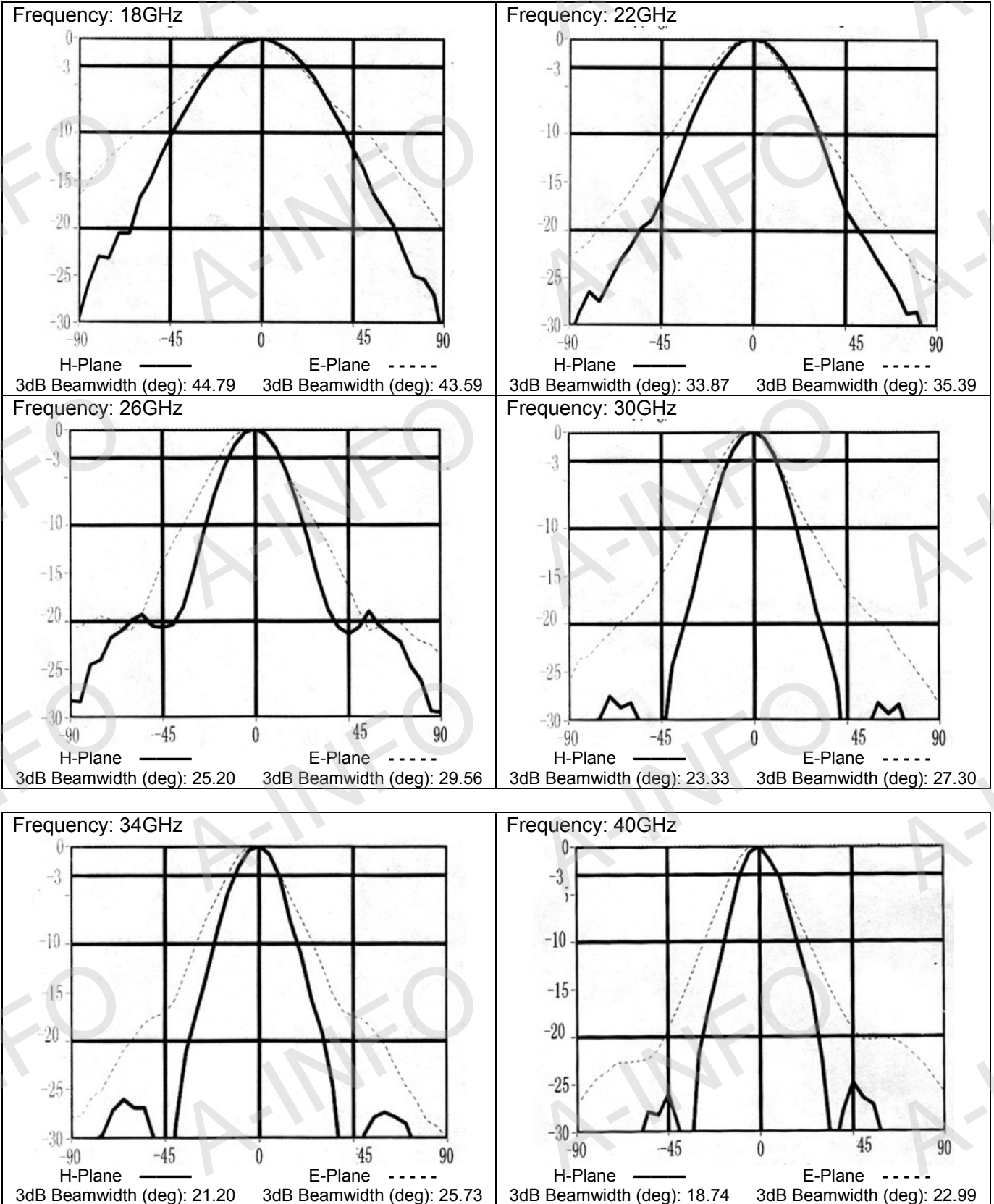
Cross Polarization Isolation



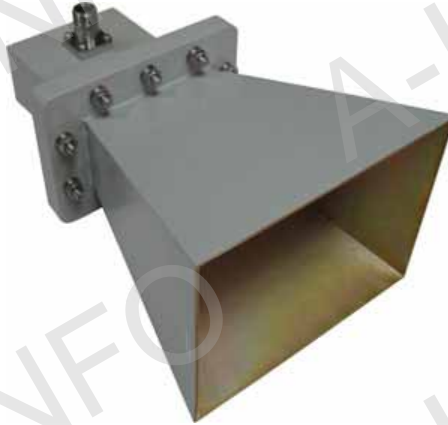
Broadband Horn Antenna 18.0~40.0GHz(continued)

P/N: LB-180400

Pattern



Octave Horn Antenna



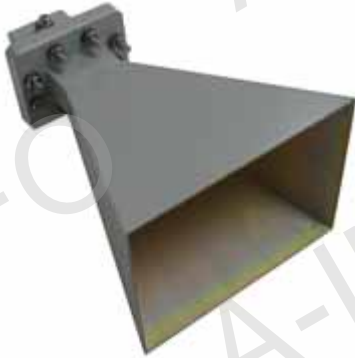
The LB series octave horn antennas are linearly polarized and provide an efficient low cost means of making measurements. A-INFO's octave horn antenna can cover from 1GHz to 12GHz frequency range. These horns are ideally suited for EMI testing, direction finding, surveillance, antenna gain and pattern measurements and other applications.

For detailed test data, pls. Log on www.ainfoinc.com – Antenna – Octave Horn and download.

Model	Frequency (GHz)	Gain (dB)	Waveguide	Connector
LB-OH-650-10-NF	1.0-2.0	10	WR650	N-Female
LB-OH-650-10-SF	1.0-2.0	10	WR650	SMA-Female
LB-OH-650-15-NF	1.0-2.0	15	WR650	N-Female
LB-OH-650-15-SF	1.0-2.0	15	WR650	SMA-Female
LB-OH-320-10-NF	2.0-4.0	10	WR320	N-Female
LB-OH-320-15-NF	2.0-4.0	15	WR320	N-Female
LB-OH-159-10-NF	4.0-8.0	10	WR159	N -Female
LB-OH-159-10-SF	4.0-8.0	10	WR159	SMA-Female
LB-OH-159-15-NF	4.0-8.0	15	WR159	N -Female
LB-OH-159-15-SF	4.0-8.0	15	WR159	SMA-Female
LB-OH-159-20-NF	4.0-8.0	20	WR159	N -Female
LB-OH-159-20-SF	4.0-8.0	20	WR159	SMA-Female
LB-OH-112-10-NF	6.0-12.0	10	WR112	N -Female
LB-OH-112-10-SF	6.0-12.0	10	WR112	SMA-Female
LB-OH-112-15-NF	6.0-12.0	15	WR112	N -Female
LB-OH-112-15-SF	6.0-12.0	15	WR112	SMA-Female
LB-OH-112-20-NF	6.0-12.0	20	WR112	N -Female
LB-OH-112-20-SF	6.0-12.0	20	WR112	SMA-Female

Octave Horn Antenna 4.0~8.0GHz

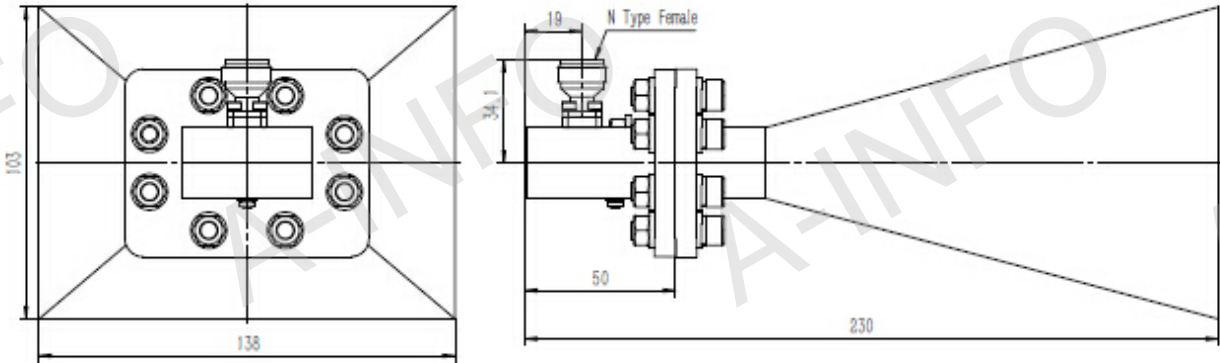
P/N: LB-OH-159-15



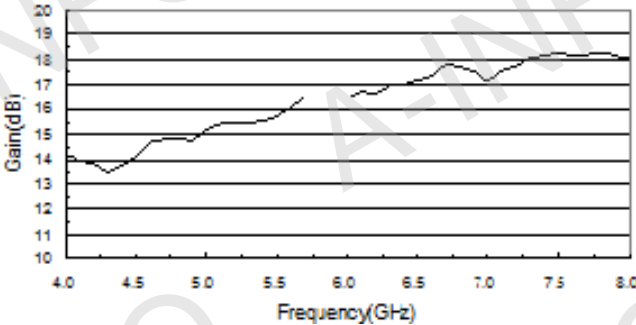
Technical Specification

Frequency Range(GHz)	4.0-8.0
Gain(dB)	15 typ.
Polarization	Linear
Connector	N-F or SMA-F
Size(mm)	138 x 103 x230
Net Weight(Kg)	0.5 Around

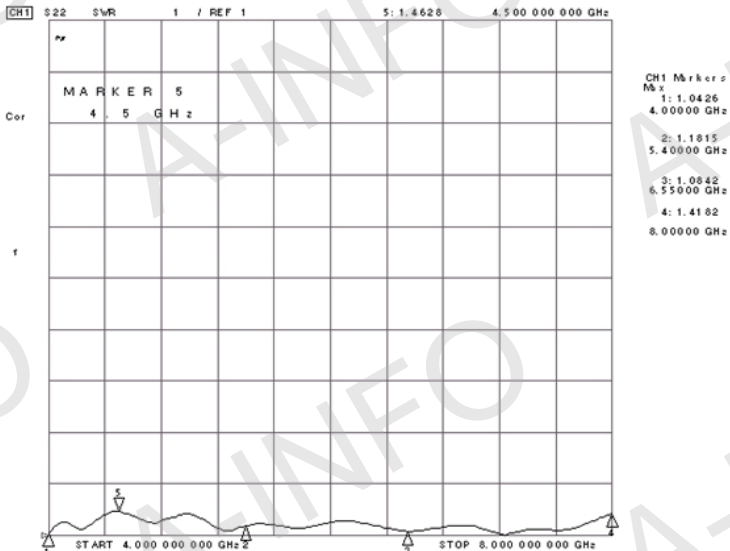
Outline Drawing (Size: mm)



Gain



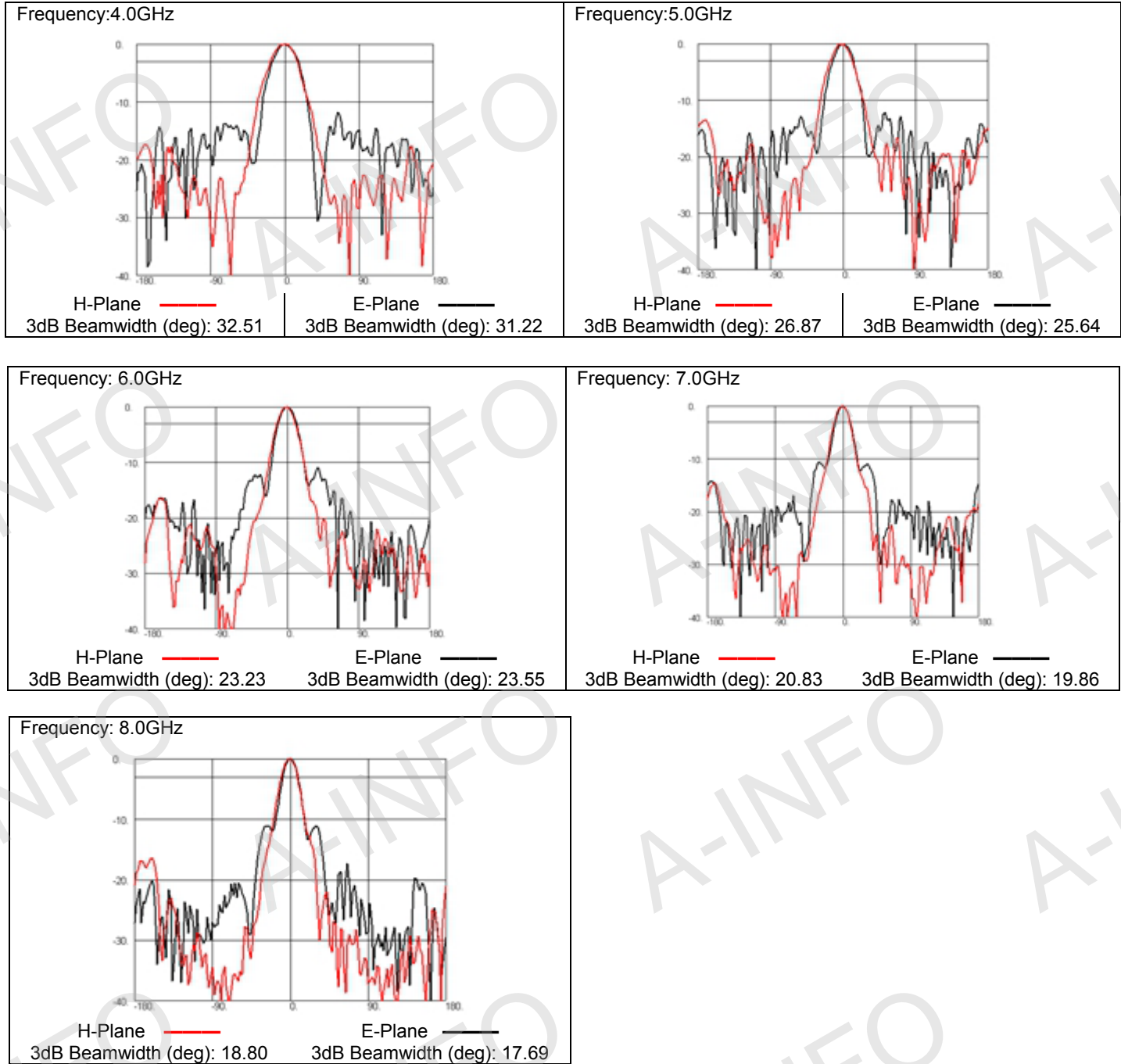
VSWR



Octave Horn Antenna 4.0~8.0GHz(continued)

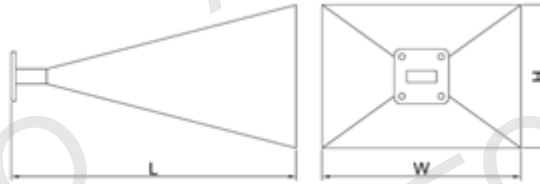
P/N: LB-OH-159-15

Pattern

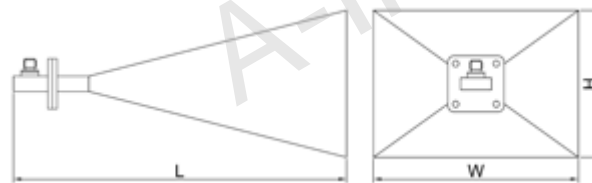


Multi Octave Horn Antenna

A Type:



C Type:



Model Information	
Example Part Number:	LB -08420 -15 -C -SF
Product Code	
Frequency Range:	0.84 - 2.0GHz
Gain in dB, Standard gain is	10dB, 15dB, 20dB, 25dB
Figure Type:	
-A:	Waveguide Output
-C:	Coaxial Output. Connector type below needs to be specified
Figure C Connector Type Option:	
	7/16F=7/16 DIN Female;
	NF=N Type-Female; NM=N Type-Male;
	SF=SMA-Female; SM=SMA-Male;
	3.5F=3.5mm-Female; 3.5M=3.5mm-Male;
	KF=2.92mm-Female; KM=2.92mm-Male;
	2.4F=2.4mm-Female; 2.4M=2.4mm-Male;
	1.85F=1.85mm-Female; 1.85M=1.85mm-Male

For detailed test data, pls. Log on www.ainfoinc.com – Antenna – Broadband Horn Antenna and download.

Model	Freq. Range (GHz)	Pol.	Gain (dB) Typ.	Figure	Waveguide	Size(mm)			VSWR Max.
						W	H	L	
LB-08420-10-A	0.84-2.0	Linear	10	A	WRD84D24	-	-	-	-
LB-08420-10-C-XX				C	NF/SF	-	-	-	2.0
LB-08420-15-A			15	A	WRD84D24	586	436	550	-
LB-08420-15-C-XX				C	NF/SF	586	436	769	2.0
LB-1536-10-A	1.5-3.6	Linear	10	A	WRD150D24	-	-	-	-
LB-1536-10-C-XX				C	NF/SF	-	-	-	2.0
LB-1536-15-A			15	A	WRD150D24	-	-	-	-
LB-1536-15-C-XX				C	NF/SF	-	-	-	2.0
LB-2048-10-A	2.0-4.8	Linear	10	A	WRD200D24	164	134	195	-
LB-2048-10-C-XX				C	NF/SF	164	134	292	2.0
LB-2048-15-A			15	A	WRD200D24	245	195	310	-
LB-2048-15-C-XX				C	NF/SF	245	195	407	2.0
LB-2678-10-A	2.6-7.8	Linear	10	A	WRD250D30	124	104	150	-
LB-2678-10-C-XX				C	NF/SF	124	104	217	2.0
LB-2678-15-A			15	A	WRD250D30	228	158	313	-
LB-2678-15-C-XX				C	NF/SF	228	158	380	2.0
LB-3582-10-A	3.5-8.2	Linear	10	A	WRD350D24	103	83	149	-
LB-3582-10-C-XX				C	NF/SF	103	83	205	2.0
LB-3582-15-A			15	A	WRD350D24	157	131	227	-
LB-3582-15-C-XX				C	NF/SF	157	131	285	2.0
LB-475110-10-A	4.75-11.0	Linear	10	A	WRD475D24	73	58	105	-
LB-475110-10-C-XX				C	NF/SF	73	58	150	2.0
LB-475110-15-A			15	A	WRD475D24	116	97	171	-
LB-475110-15-C-XX				C	NF/SF	116	97	216	2.0
LB-58160-10-A	5.8-16.0	Linear	10	A	WRD580D28	65	51	98	-
LB-58160-10-C-XX				C	NF/SF	65	51	141	2.0
LB-58160-15-A			15	A	WRD580D28	84	71	124	-
LB-58160-15-C-XX				C	NF/SF	84	71	167	2.0
LB-58160-20-A			20	A	WRD580D28	134	112	243	-
LB-58160-20-C-XX				C	NF/SF	134	112	286	2.0
LB-65180-10-A	6.5-18.0	Linear	10	A	WRD650D28	55	44	73	-
LB-65180-10-C-XX				C	NF/SF	55	44	109	2.0
LB-65180-15-A			15	A	WRD650D28	78	66	110	-
LB-65180-15-C-XX				C	NF/SF	78	66	146	2.0
LB-65180-20-A			20	A	WRD650D28	120	100	226	-
LB-65180-20-C-XX				C	NF/SF	120	100	262	2.0

Model	Freq. Range (GHz)	Pol.	Gain (dB) Typ.	Figure	Output	Size(mm)			VSWR Max.
						W	H	L	
LB-75180-10-A	7.5-18.0	Linear	10	A	WRD750D24	48	38	65	-
LB-75180-10-C-XX				C	NF/SF	48	39	96.7	2.0
LB-75180-15-A			15	A	WRD750D24	75	62	112	-
LB-75180-15-C-XX				C	NF/SF	75	62	144	2.0
LB-75180-20-A			20	A	WRD750D24	108	90	206	-
LB-75180-20-C-XX				C	NF/SF	108	90	238	2.0
LB-110265-10-A	11.0-26.5	Linear	10	A	WRD110C24	32	26	47	-
LB-110265-10-C-XX				C	SF	32	26	71.6	2.0
LB-110265-15-A			15	A	WRD110C24	52	43	88	-
LB-110265-15-C-XX				C	SF	52	43	112	2.0
LB-110265-20-A			20	A	WRD110C24	75	63	139	-
LB-110265-20-C-XX				C	SF	75	63	163	2.0
LB-180400-10-A	18.0-40.0	Linear	10	A	WRD180C24	20	17	29.8	-
LB-180400-10-C-XX				C	KF	20	17	55.8	2.0
LB-180400-15-A			15	A	WRD180C24	32	27	45	-
LB-180400-15-C-XX				C	KF	32	27	71	2.0
LB-180400-20-A			20	A	WRD180C24	47	40	87	-
LB-180400-20-C-XX				C	KF	47	40	113	2.0
LB-180400-25-A			25	A	WRD180C24	95	95	263	-
LB-180400-25-C-XX				C	KF	95	95	289	2.0

Multi Octave Horn Antenna 0.84~2.0GHz

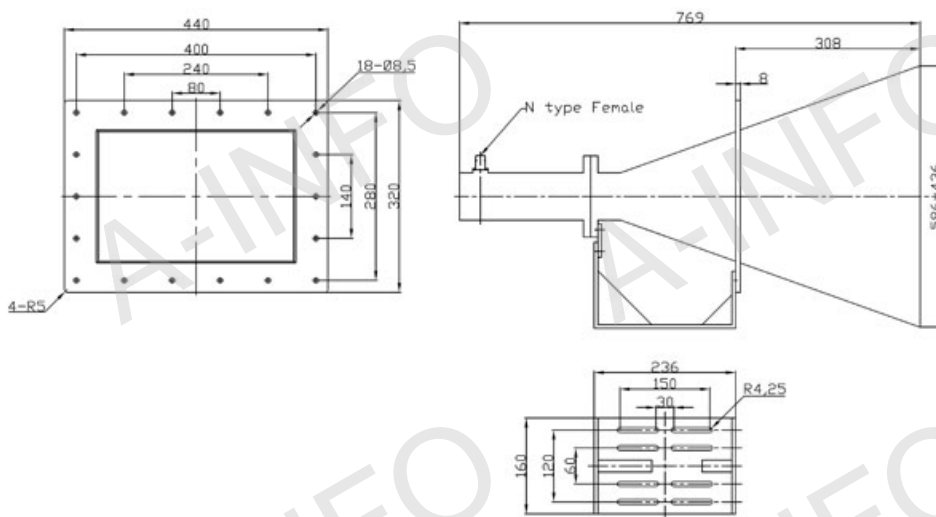
P/N: LB-08420-15



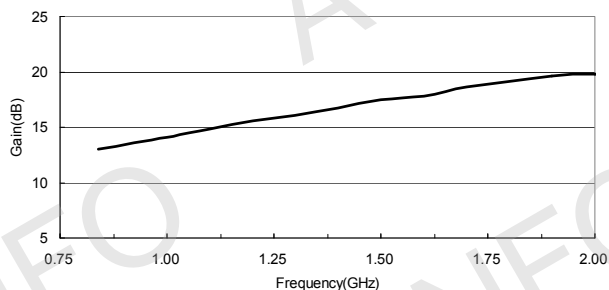
Technical Specification

Frequency Range(GHz)	0.84 - 2.0
Gain(dB)	15 Typ.
Polarization	Linear
VSWR	2.0 Max
Waveguide(A Type)	WRD84D24
Adapter(C Type)	84DRWCAN
Connector(C Type)	N-Female
Size(mm)	586 x 436 x 769 (Including Adapter)
Net Weight(Kg)	10.5 Around (Including Adapter)

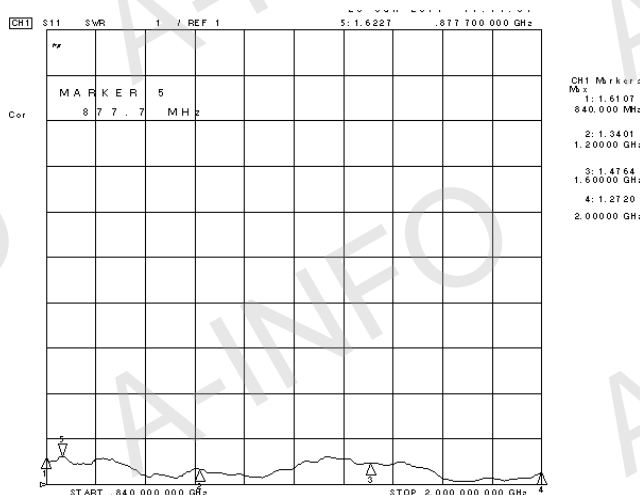
Outline Drawing (Size: mm)



Gain



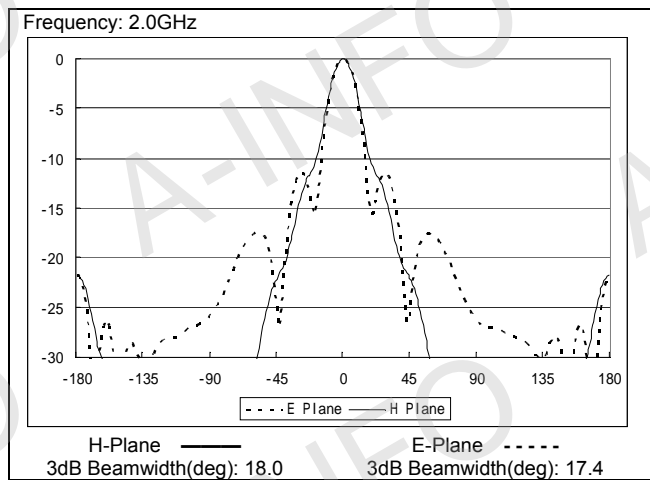
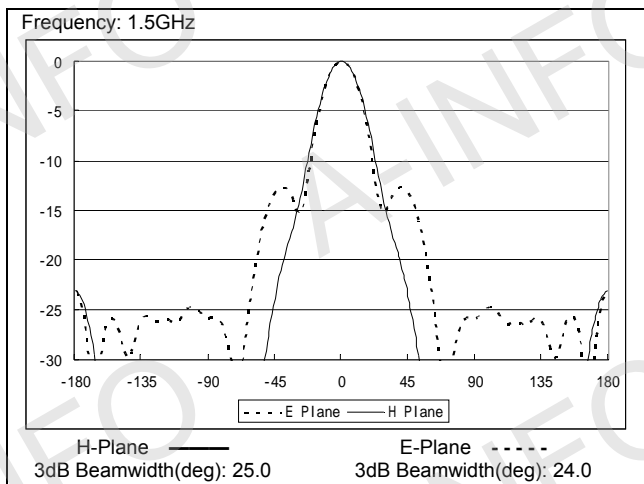
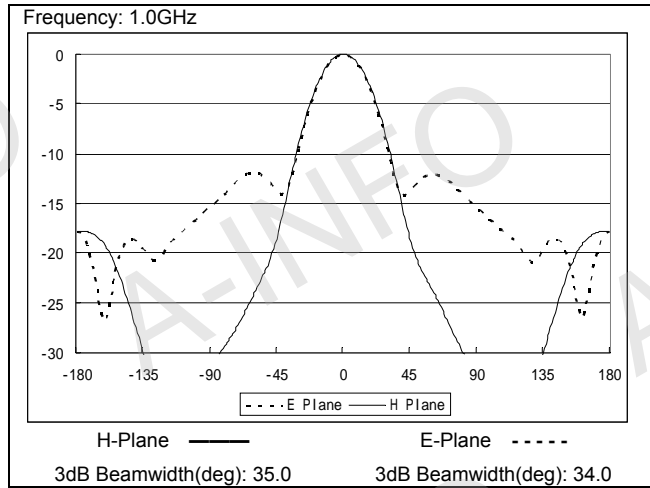
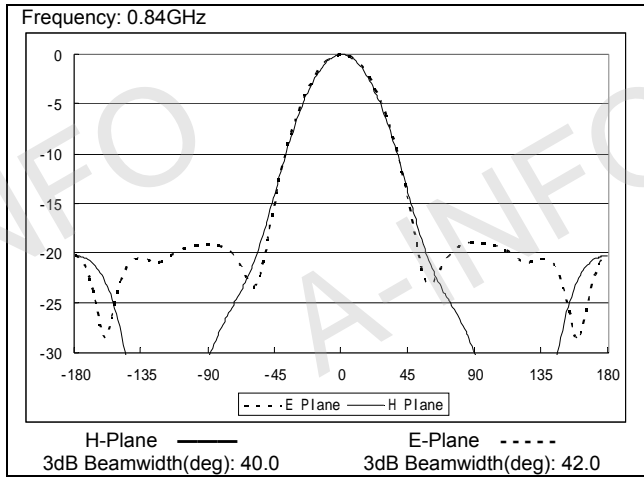
VSWR



Multi Octave Horn Antenna 0.84~2.0GHz(continued)

P/N: LB-08420-15

Pattern



Multi Octave Horn Antenna 2.0~4.8GHz

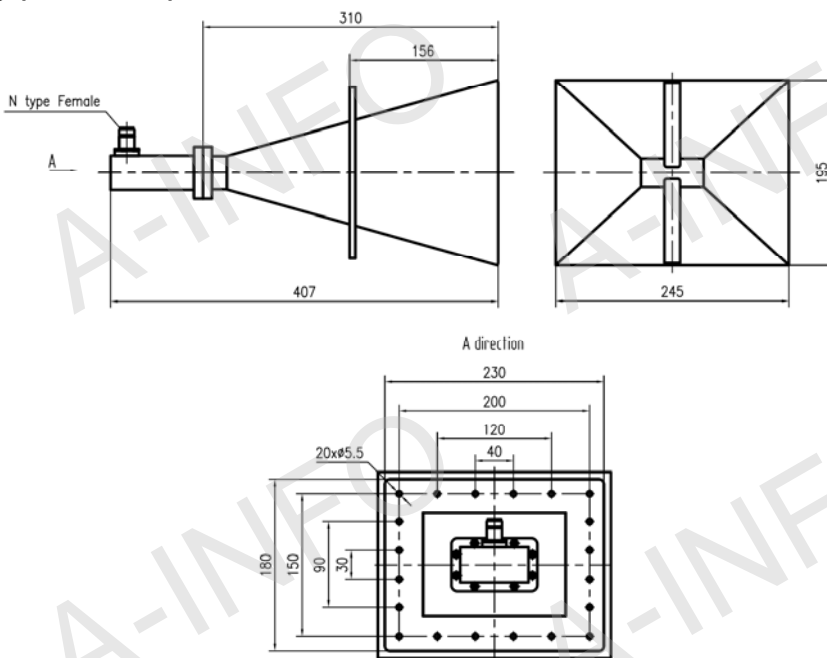
P/N: LB-2048-15



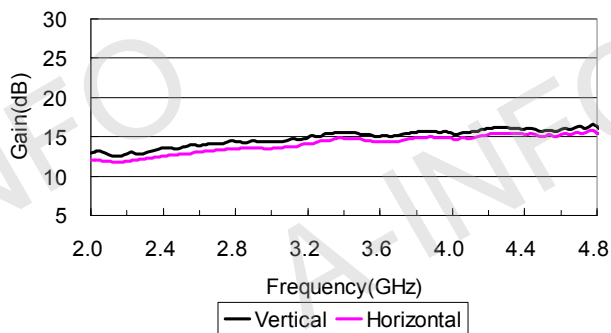
Technical Specification

Frequency Range(GHz)	2.0-4.8
Gain(dB)	15 Typ.
Polarization	Linear
3dB Beamwidth(deg)	40-20
VSWR	2.0 Max
Waveguide(A Type)	WRD200D24
Adapter(C Type)	200DRWCAN or 200DRWCAS
Connector(C Type)	N-Female or SMA-Female
Size(mm)	A Type: 245x195x310 / C Type: 245x195x407
Net Weight(Kg)	A Type: 2.0 Around / C Type: 2.6 Around

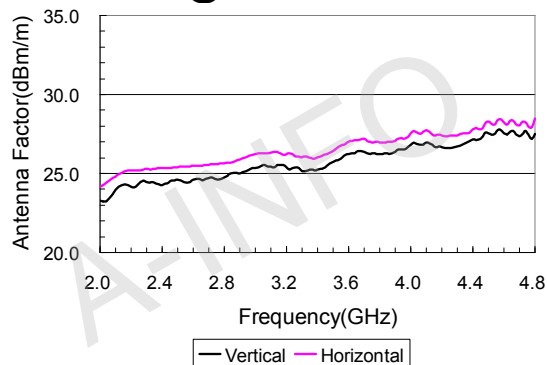
Outline Drawing (Size: mm)



Gain@ 1m distance



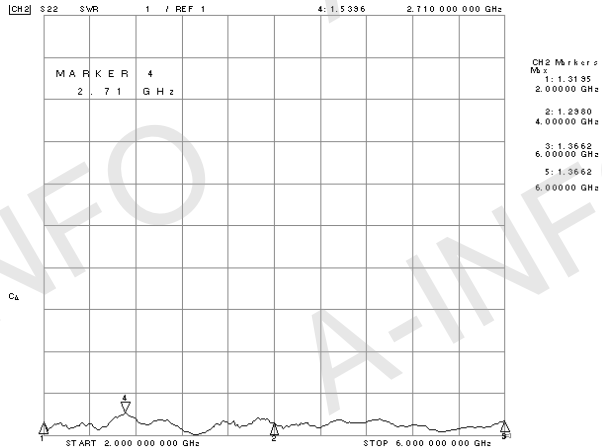
Antenna Factor@ 1m distance



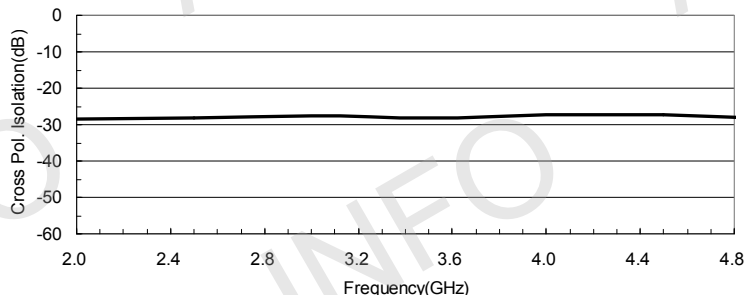
Multi Octave Horn Antenna 2.0~4.8GHz(continued)

P/N: LB-2048-15

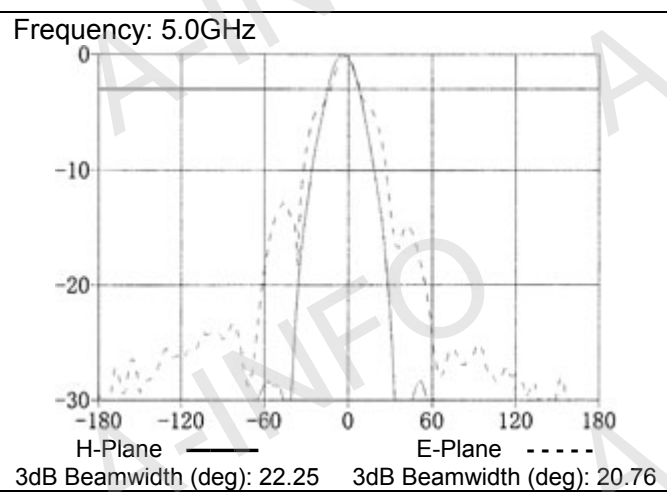
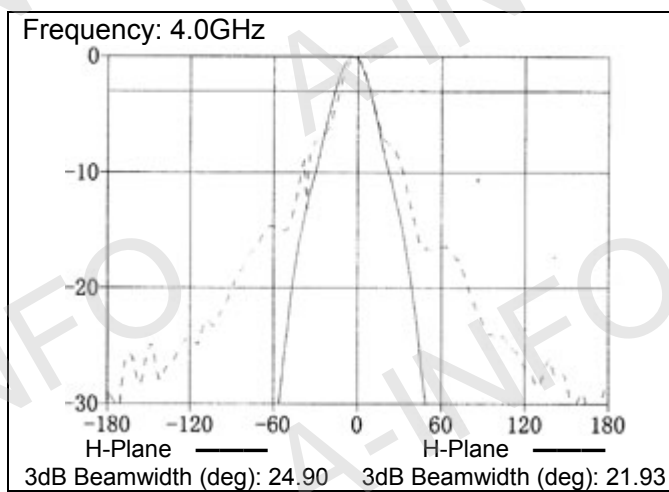
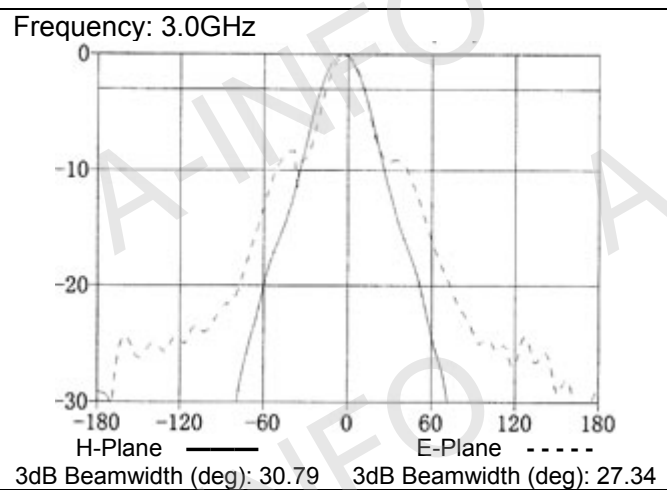
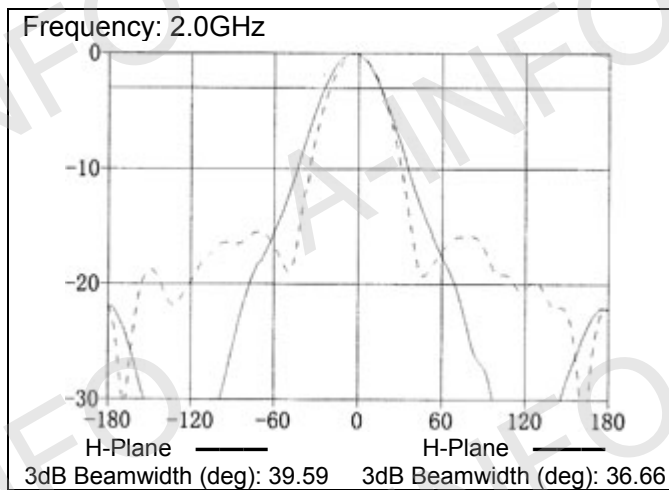
VSWR



Cross Polarization Isolation



Pattern



Multi Octave Horn Antenna 2.6~7.8GHz

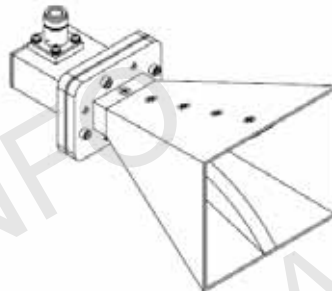
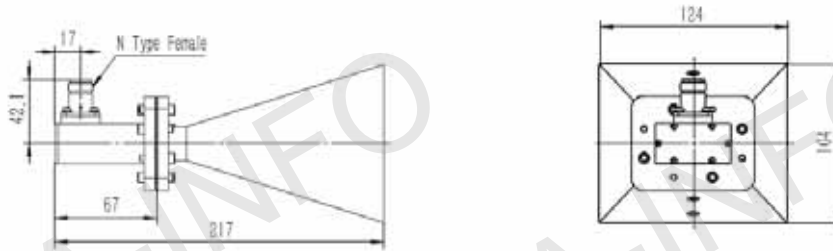
P/N: LB-2678-10



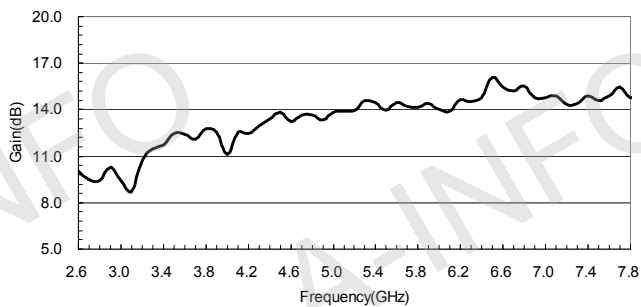
Technical Specification

Frequency Range(GHz)	2.6-7.8
Gain(dB)	10 Typ.
Polarization	Linear
3dB Beamwidth(deg)	60-20
VSWR	2.0 Max
Waveguide(A Type)	WRD250D30
Adapter(C Type)	250DRWCAN or 250DRWCAS
Connector(C Type)	N-Female or SMA-Female
Size(mm)	A Type: 124x104x150 / C Type: 124x104x217
Net Weight(Kg)	A Type: 0.5 Around / C Type: 0.8 Around

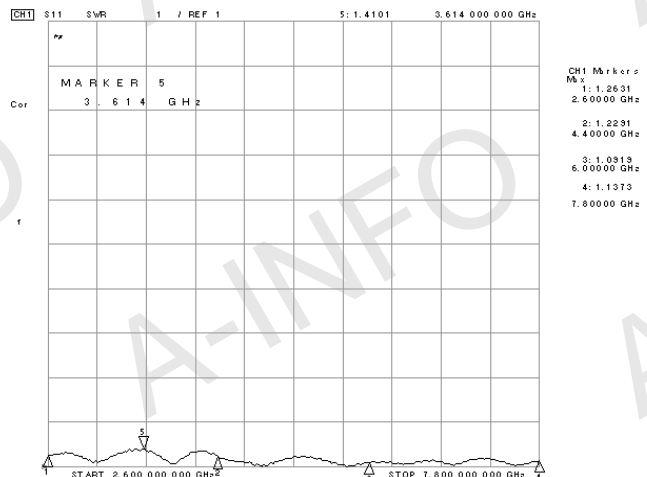
Outline Drawing (Size: mm)



Gain



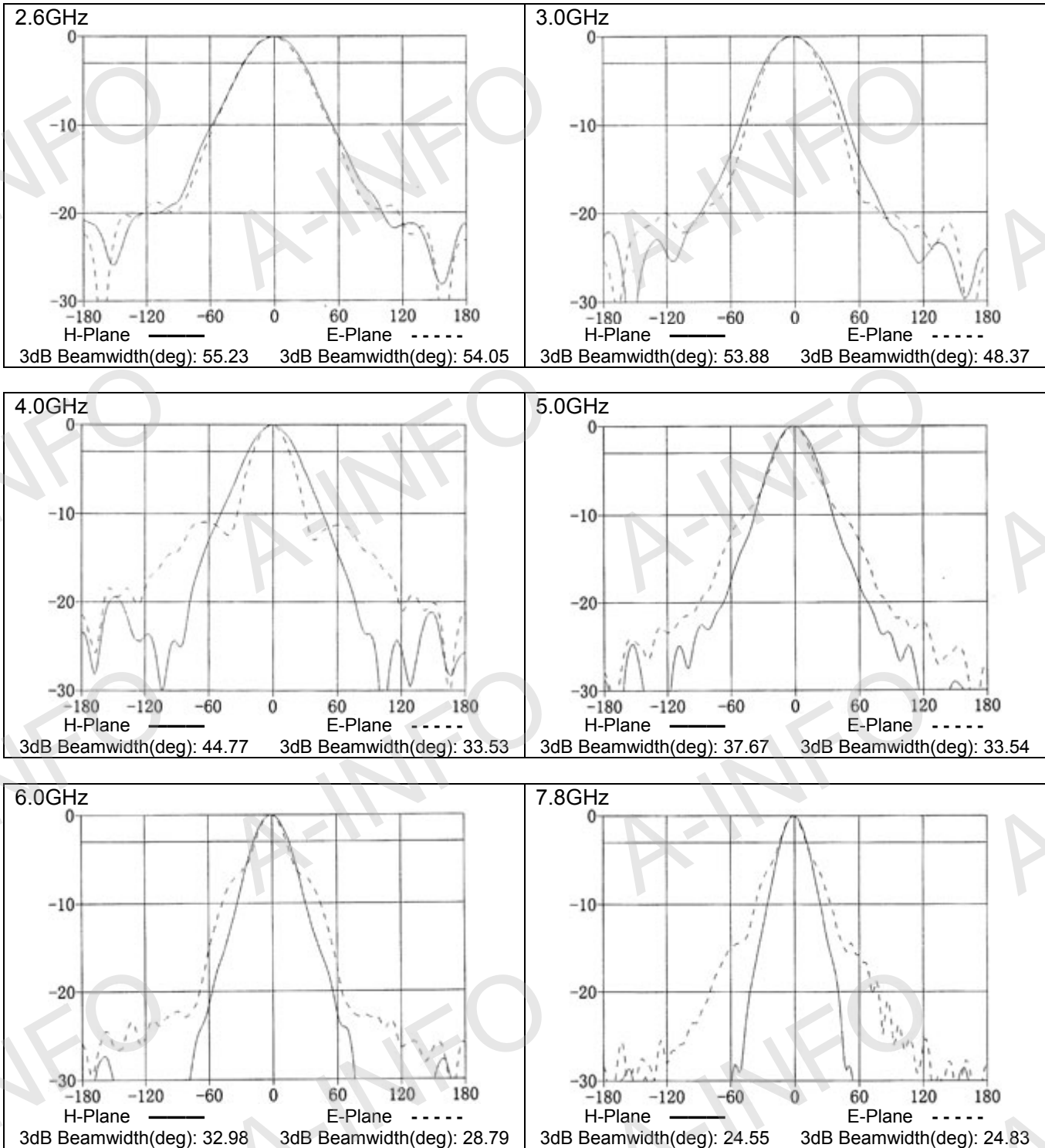
VSWR



Multi Octave Horn Antenna 2.6~7.8GHz(continued)

P/N: LB-2678-10

Pattern



Multi Octave Horn Antenna 4.75~11.0GHz

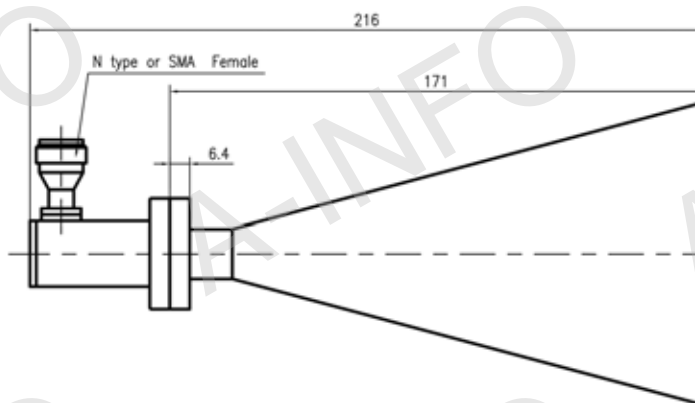
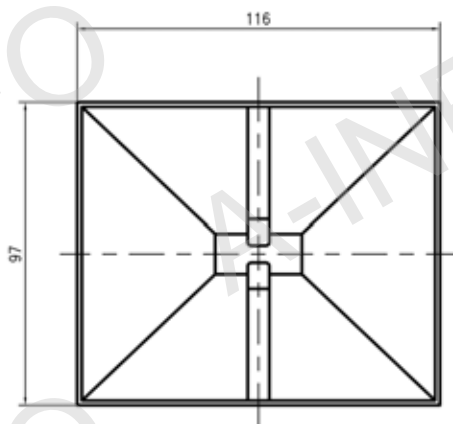
P/N: LB-475110-15



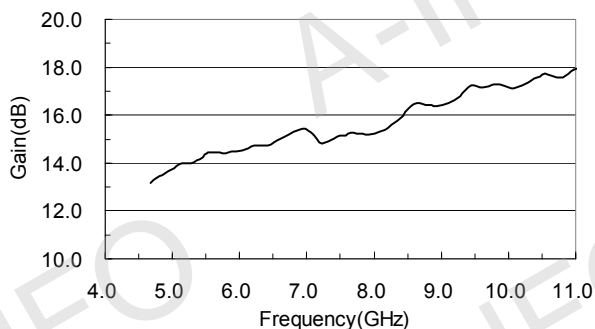
Technical Specification

Frequency Range(GHz)	4.75-11.0
Gain(dB)	15 Typ.
Polarization	Linear
VSWR	2.0 Max
Cross Pol. Isolation(dB)	35 Typ.
Waveguide(A Type)	WRD475D24
Adapter(C Type)	475DRWCAN or 475DRWCAS
Connector(C Type)	N-Female or SMA-Female
Size(mm)	A Type: 116x97x171 / C Type: 116x97x216
Net Weight(Kg)	A Type: 0.3 Around / C Type: 0.4 Around

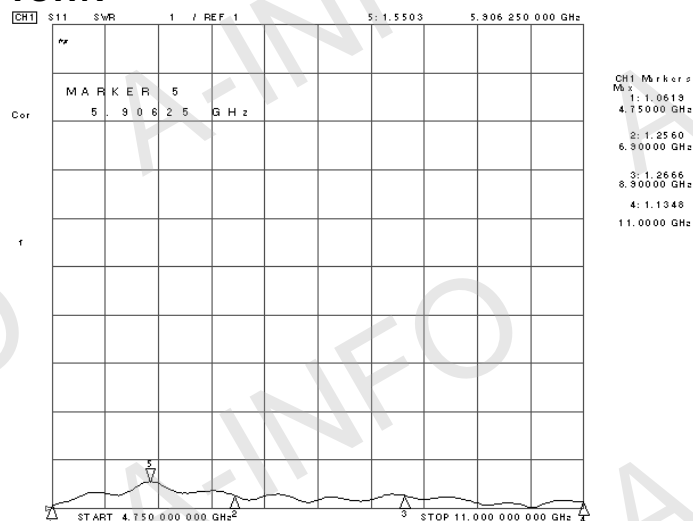
Outline Drawing (Size: mm)



Gain



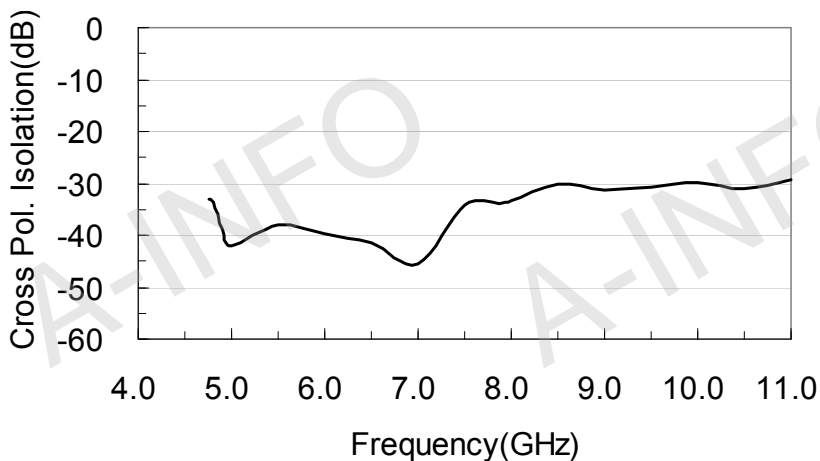
VSWR



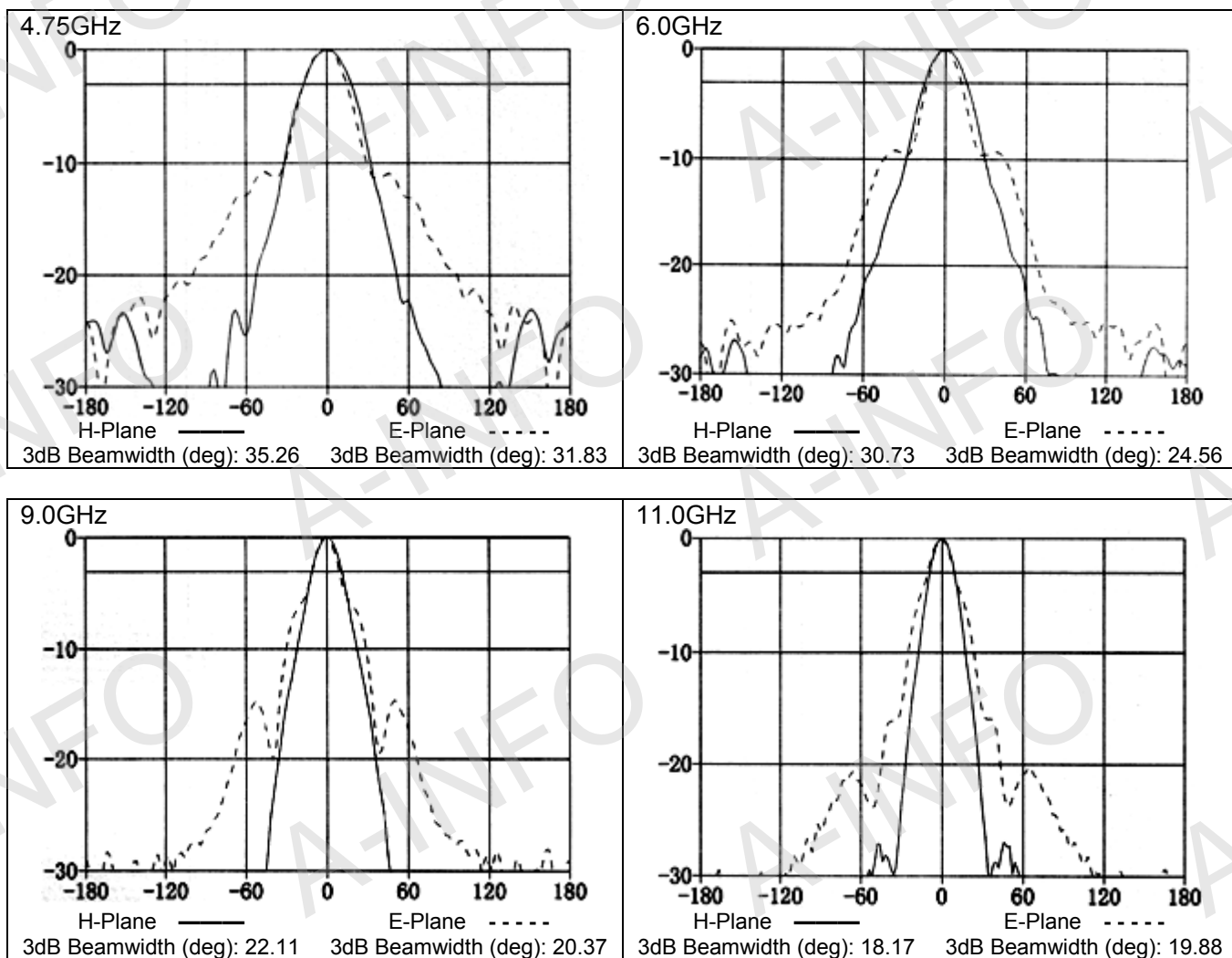
Multi Octave Horn Antenna 4.75~11.0GHz(continued)

P/N: LB-475110-15

Cross Pol. Isolation

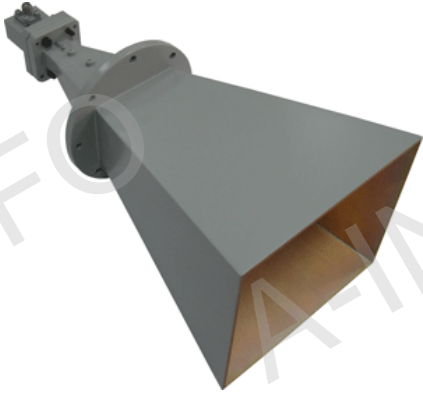


Pattern



Multi Octave Horn Antenna 6.5~18.0GHz

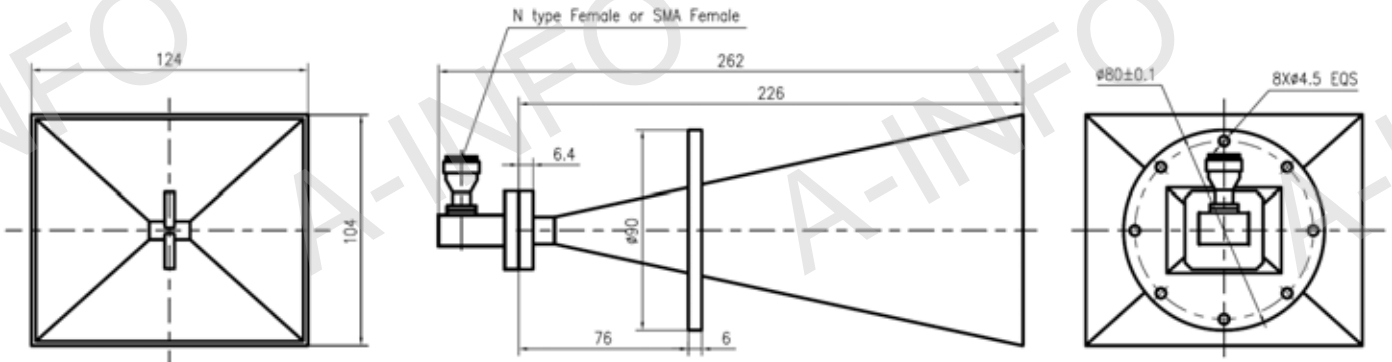
P/N: LB-65180-20



Technical Specification

Frequency Range(GHz)	6.5-18.0
Gain(dB)	20 Typ.
Polarization	Linear
VSWR	2.0 Max
Cross Pol. Isolation(dB)	30 Typ.
Waveguide(A Type)	WRD650D28
Adapter(C Type)	650DRWCAN or 650DRWCAS
Connector(C Type)	N-Female or SMA-Female
Size(mm)	A Type: 124x104x226 / C Type: 124x104x262
Net Weight(Kg)	A Type: 0.6 Around / C Type: 0.8 Around

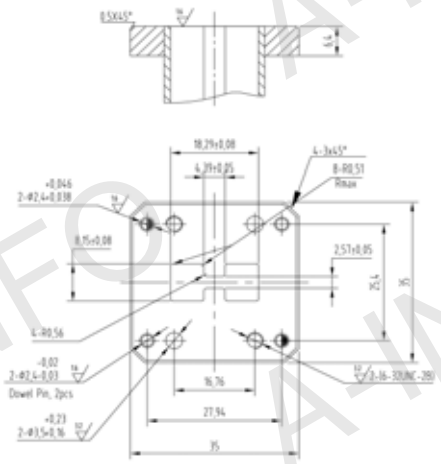
Outline Drawing (Size: mm)



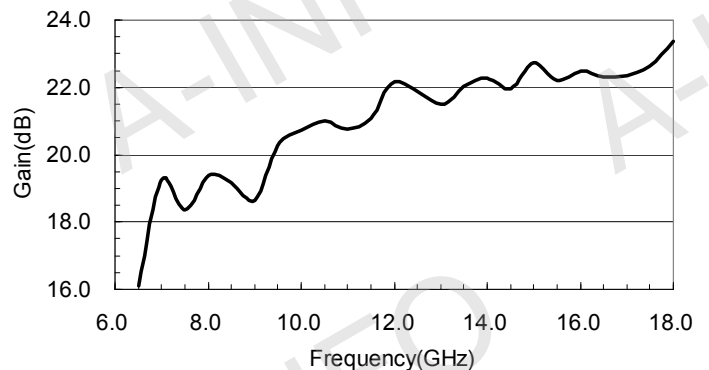
Flange Drawing (Size: mm)

FPWRD650D28

(With two through mounting holes and two screws holes)



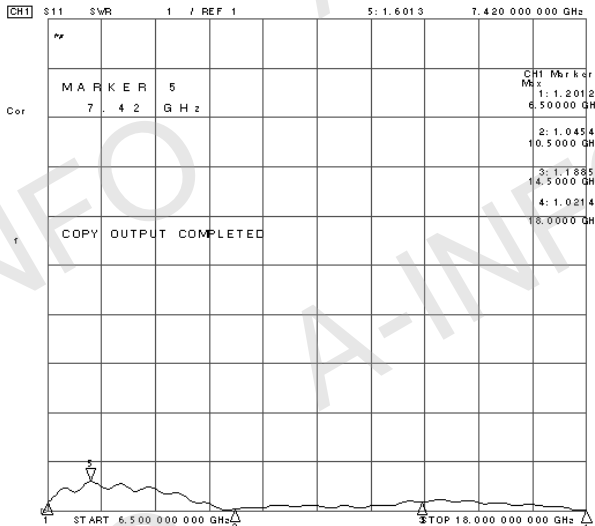
Gain



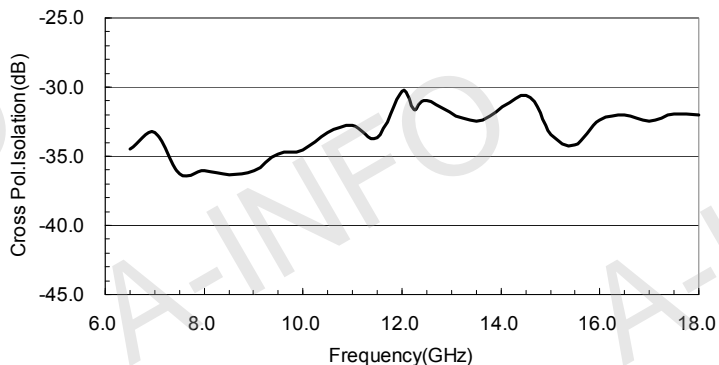
Multi Octave Horn Antenna 6.5~18.0GHz(continued)

P/N: LB-65180-20

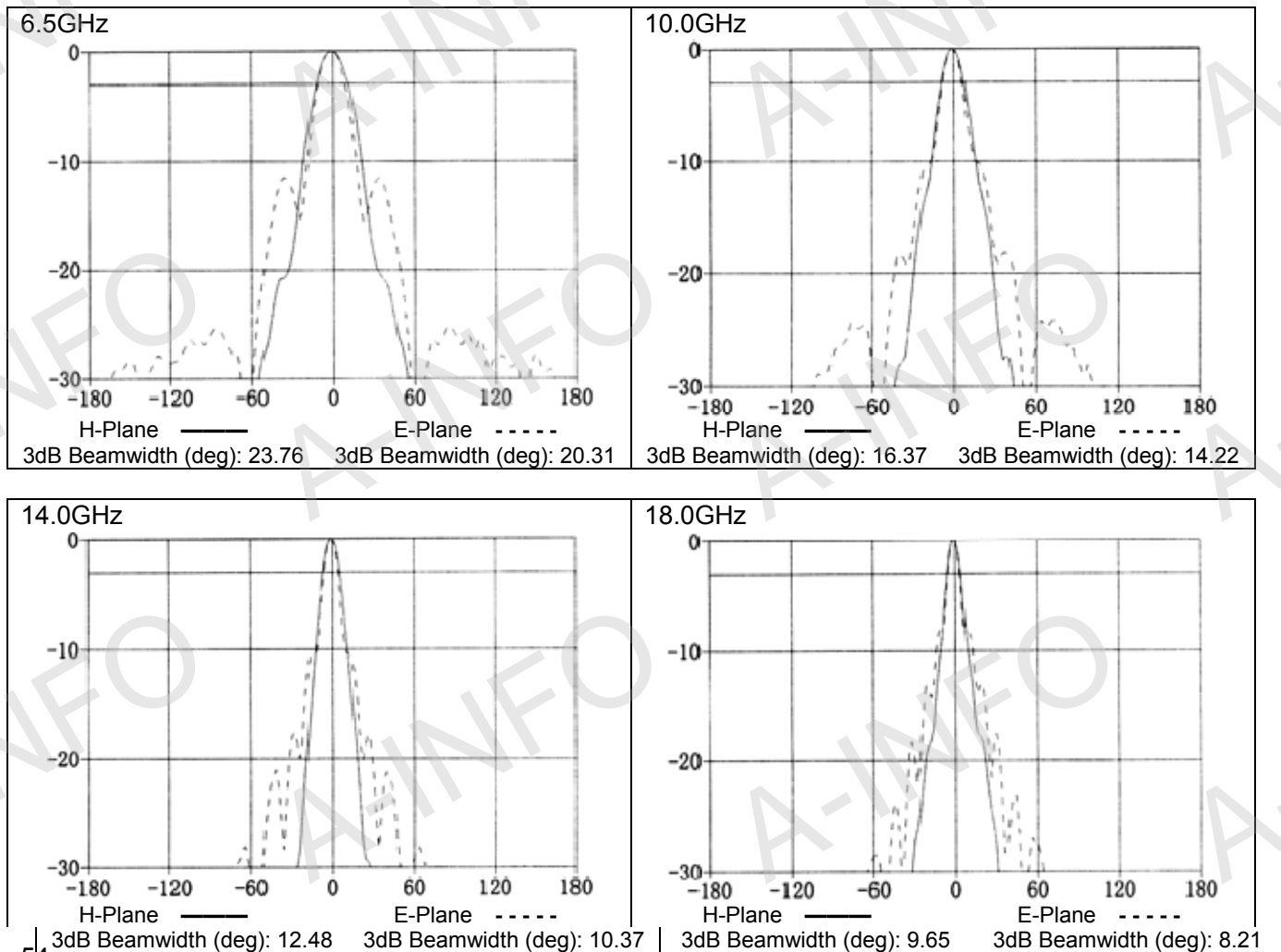
VSWR



Cross Pol. Isolation



Pattern



Multi Octave Horn Antenna 7.5~18.0GHz

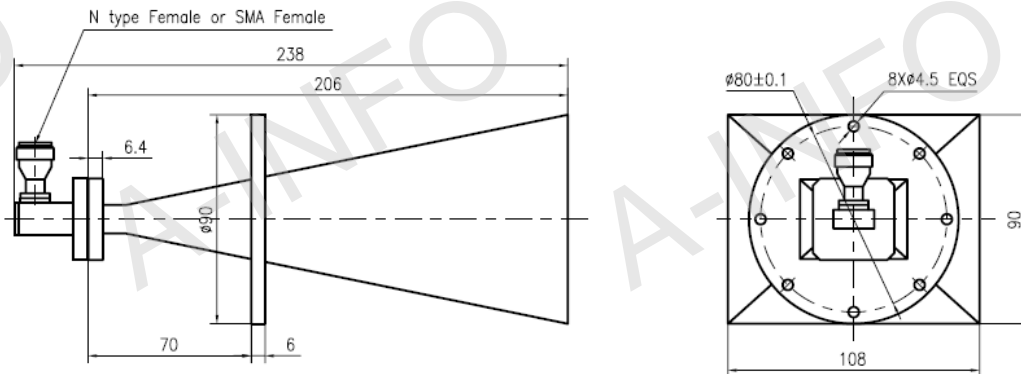
P/N: LB-75180-20



Technical Specification

Frequency Range(GHz)	7.5-18.0
Gain(dB)	20 Typ.
Polarization	Linear
VSWR	2.0 Max
Cross Pol. Isolation(dB)	30 Typ.
Waveguide(A Type)	WRD750D24
Adapter(C Type)	750DRWCAN or 750DRWCAS
Connector(C Type)	N-Female or SMA-Female
Size(mm)	A Type: 108x90x206 / C Type: 108x90x238
Net Weight(Kg)	A Type: 0.4 Around / C Type: 0.5 Around

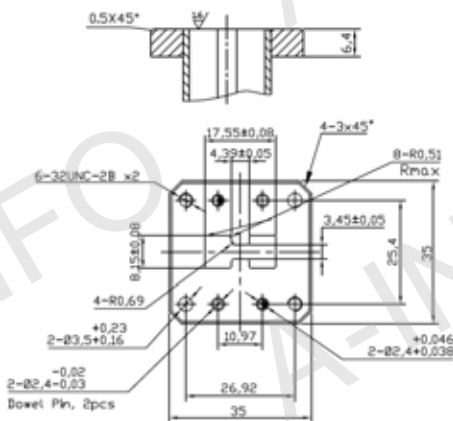
Outline Drawing (Size: mm)



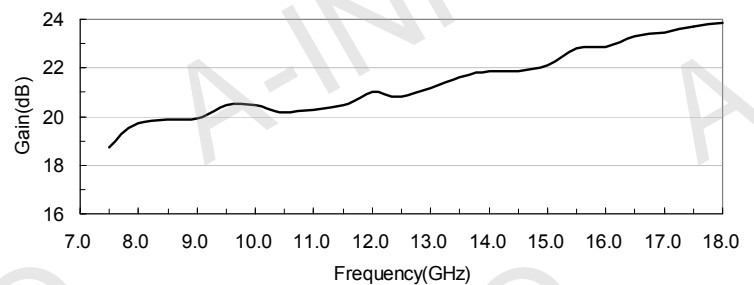
Flange Drawing (Size: mm)

FPWRD750D24

(With two through mounting holes and two screws holes)



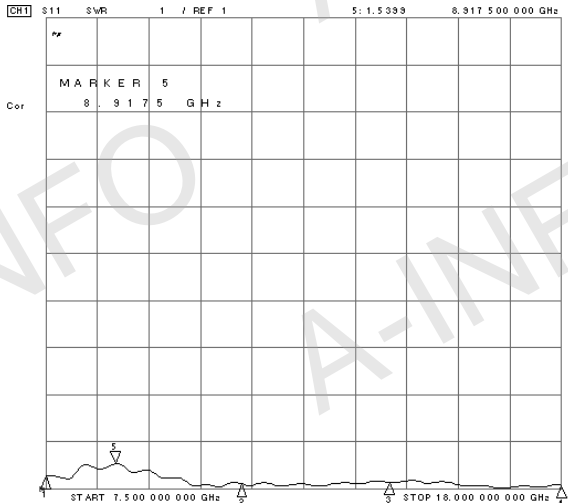
Gain



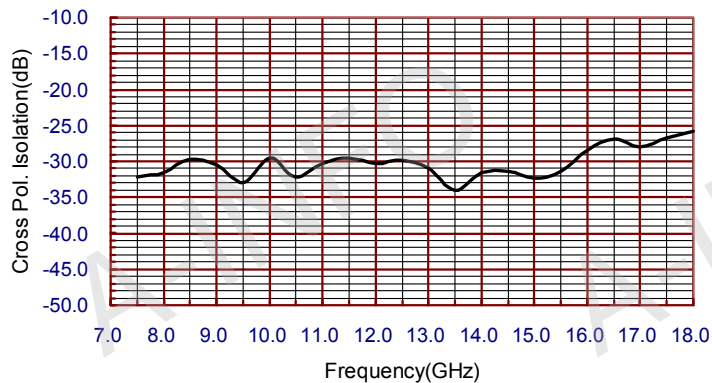
Multi Octave Horn Antenna 7.5~18.0GHz(continued)

P/N: LB-75180-20

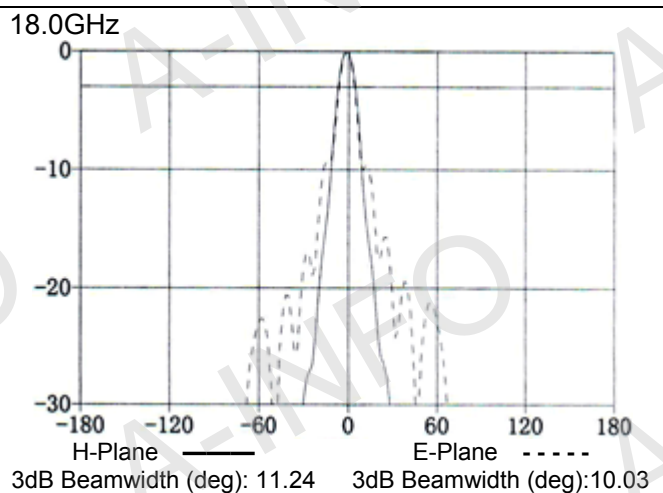
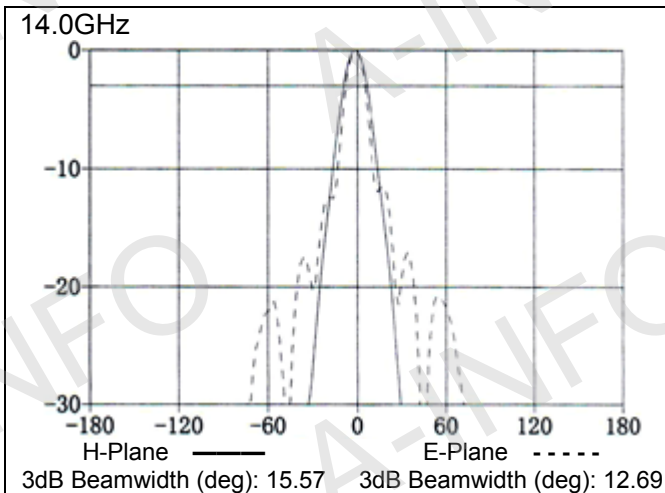
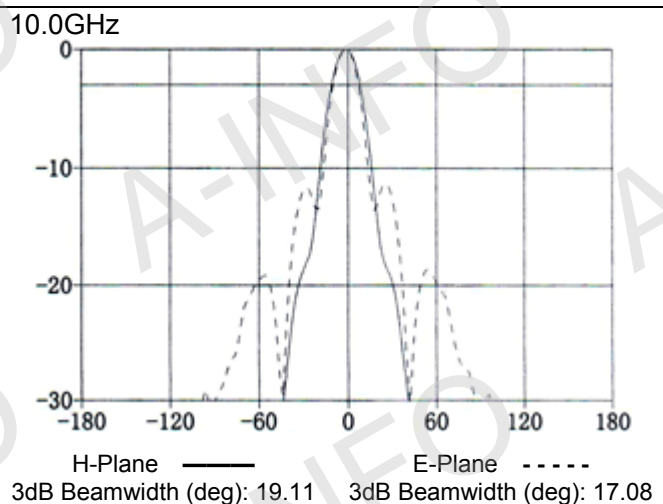
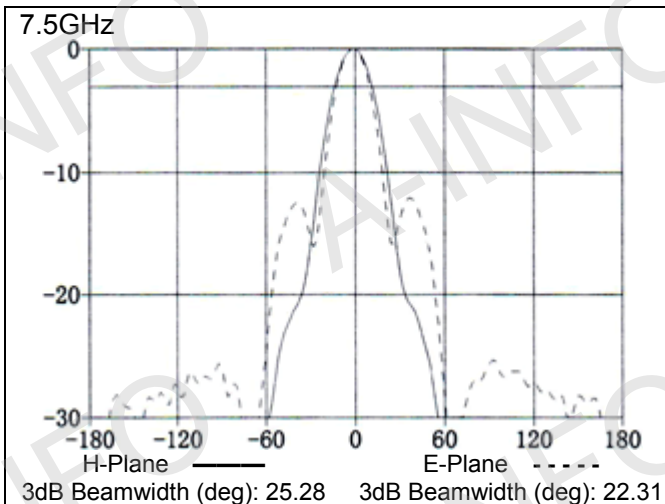
VSWR



Cross Pol. Isolation



Pattern



Multi Octave Horn Antenna 18.0~40.0GHz

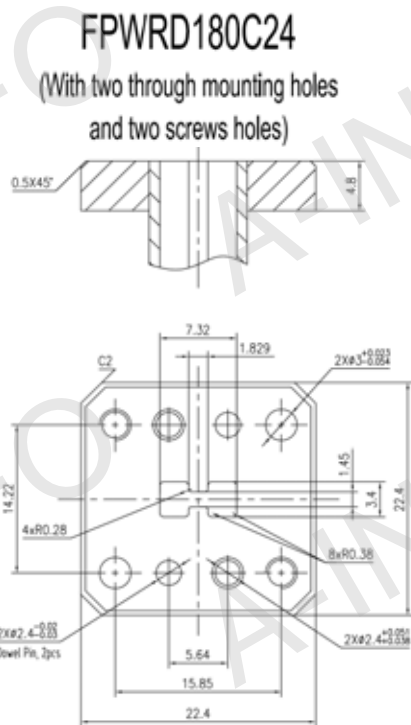
P/N: LB-180400-25



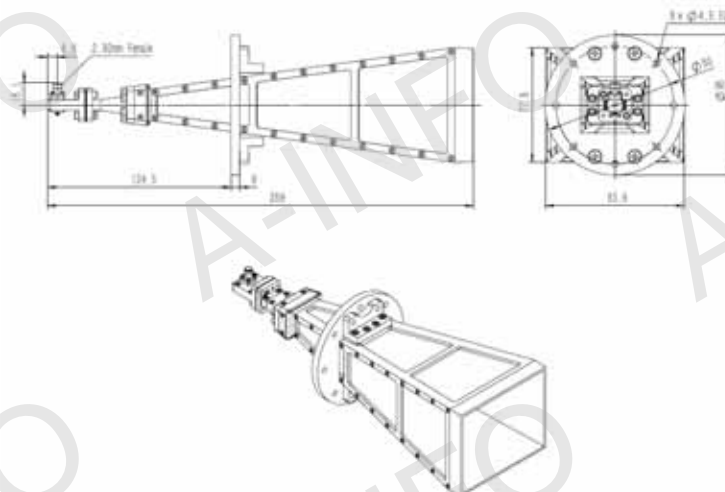
Technical Specification

Frequency Range(GHz)	18.0-40.0
Gain(dB)	25 Typ.
Polarization	Linear
VSWR	2.0 Max.
Output	A Type:FPWRD180C24 C Type:2.92mm (K)-Female
Power Handling(W)	10 Max. CW
Size(mm)	A Type: 95x95x263 / C Type: 95x95x289
Net Weight(Kg)	A Type: 0.54 Around / C Type: 0.58 Around

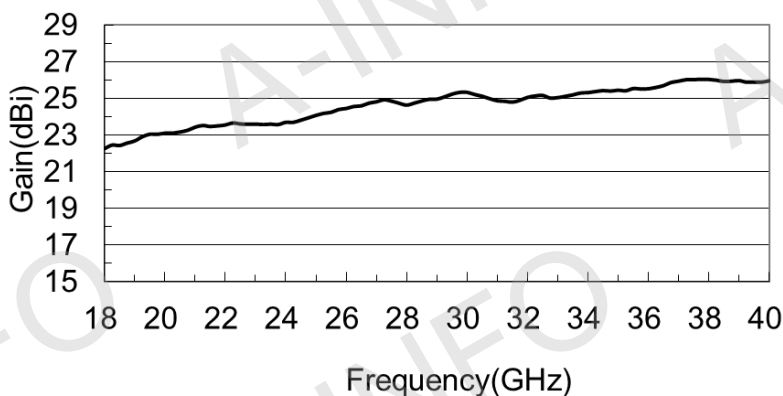
Flange Drawing (Size: mm)



Outline Drawing (Size: mm)



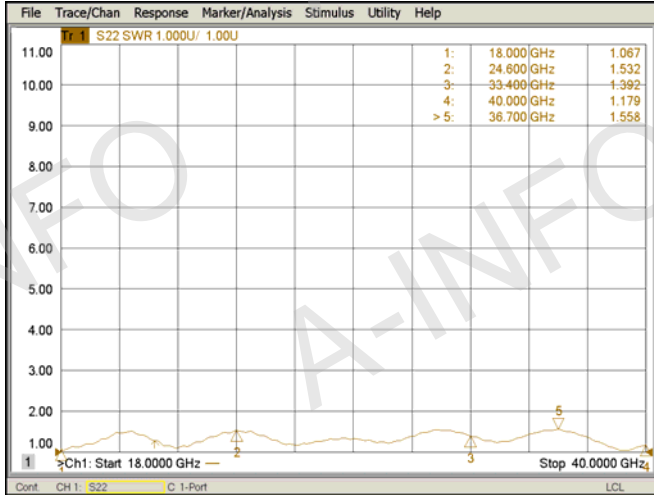
Gain



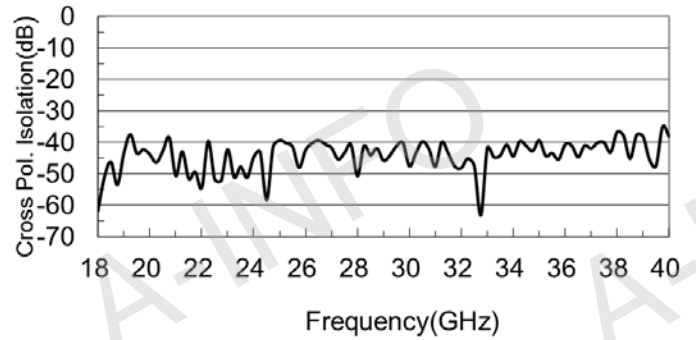
Multi Octave Horn Antenna 18.0~40.0GHz(continued)

P/N: LB-180400-20

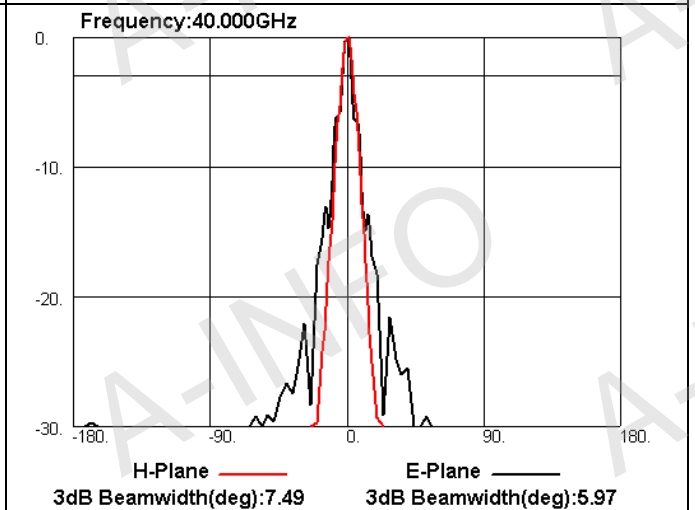
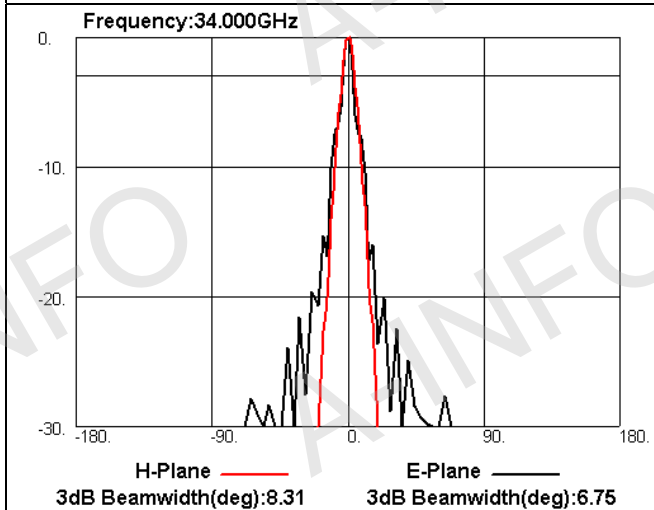
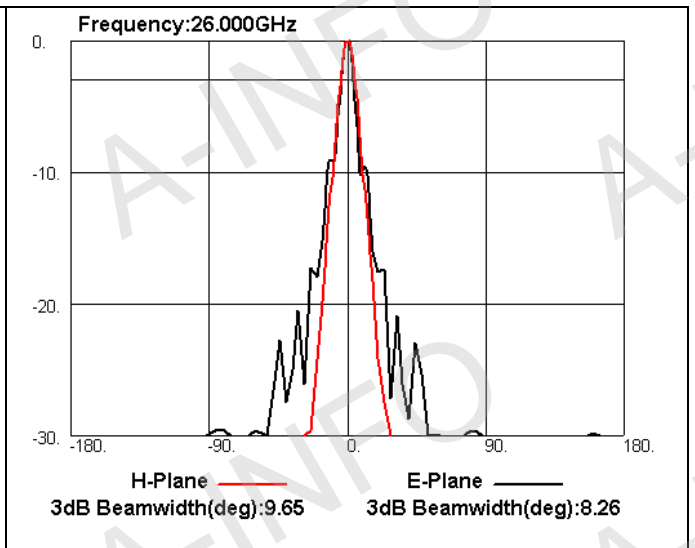
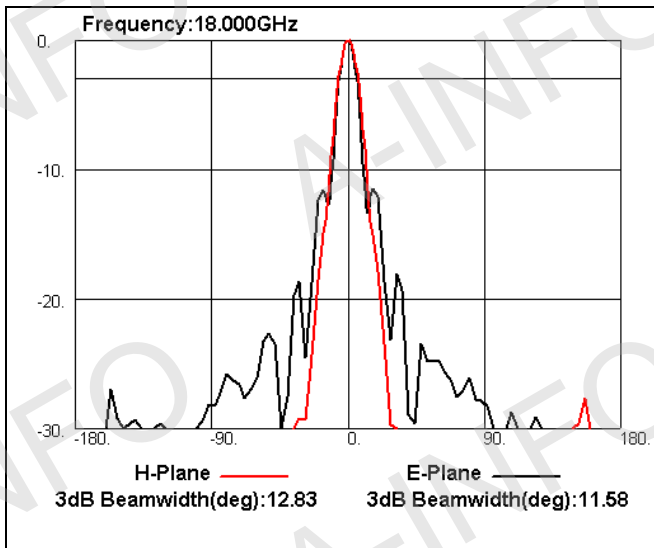
VSWR



Cross Pol. Isolation



Pattern



Dual Polarization Horn Antenna



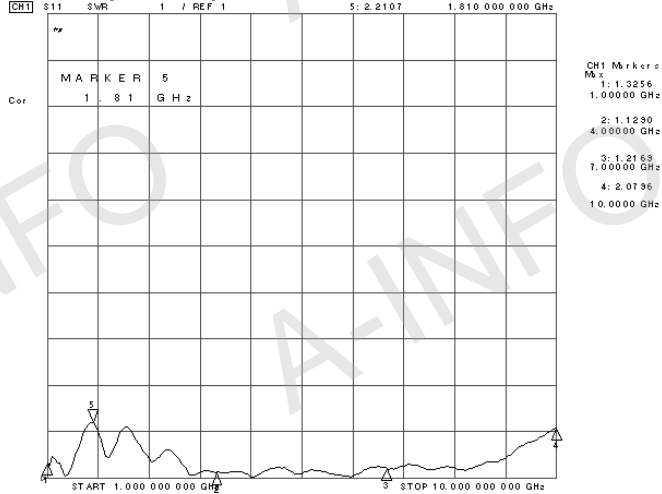
For detailed test data, pls. Log on www.ainfoinc.com – Antenna – Dual Pol. Horn Antenna and download.

Model	Freq. (GHz)	Pol.	Gain (dB) Typ.	VSWR Typ.	Cross Pol. Isolation (dB) Min	Connector	Power Handling (W) CW Max	Size (mm) Approx.
LB-SJ-10100-SF	1.0-10.0	Dual	10	1.5	20	SMA-F	50	204x204x211
LB-SJ-10100-NF	1.0-10.0	Dual	10	1.5	20	N-F	50	204x204x211
LB-SJ-20180-SF	2.0-18.0	Dual	15	2.0	20	SMA-F	25	112x112x187
LB-SJ-40180-SF	4.0-18.0	Dual	15	2.0	20	SMA-F	25	118x118x187
LB-SJ-60180-SF	6.0-18.0	Dual	12	2.0	20	SMA-F	25	43.1x43.1x79.5
LB-SJ-60245-SF	6.0-24.5	Dual	14	2.0	20	SMA-F	25	43x43x79.5
LB-SJ-180400-KF	18.0-40.0	Dual	15	2.0	20	2.92mm(K)-F	10	31x31x61.5

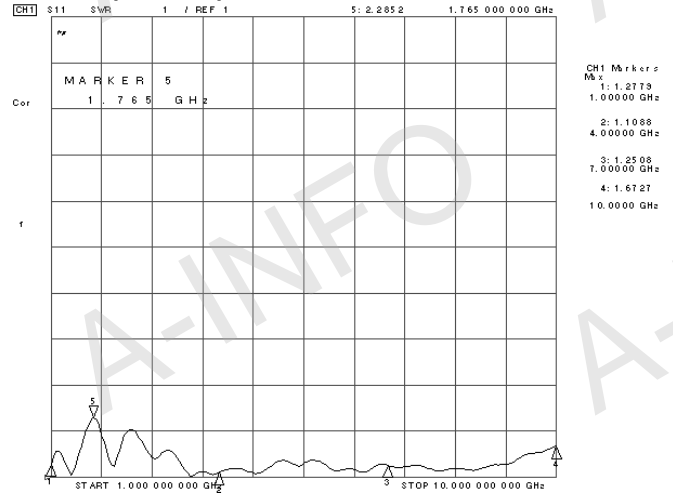
Dual Pol. Horn Antenna 1.0-10.0GHz(continued)

P/N: LB-SJ-10100

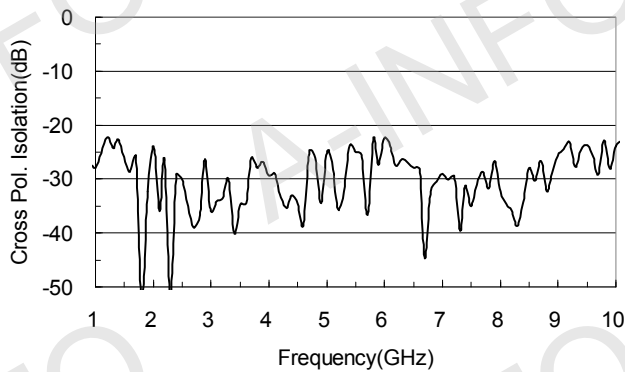
VSWR(Port-V)



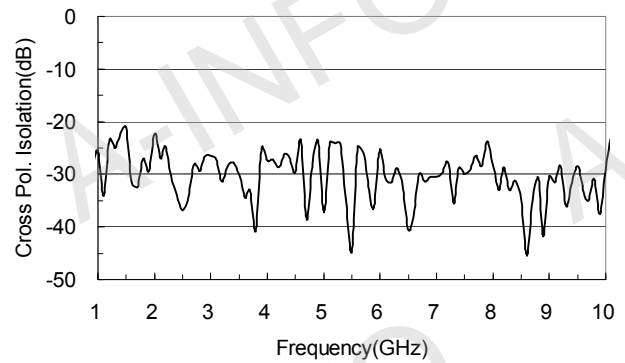
VSWR(Port-H)



Cross Polarization Isolation(Port-V)

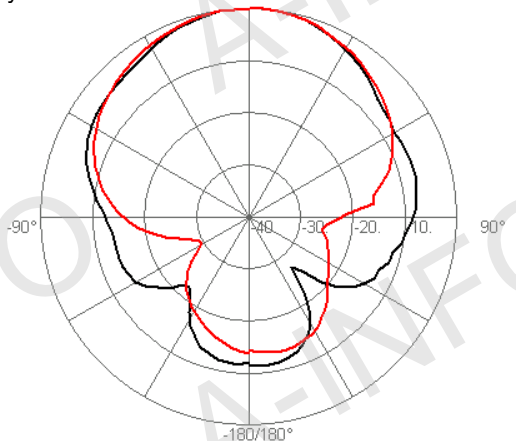


Cross Polarization Isolation(Port-H)



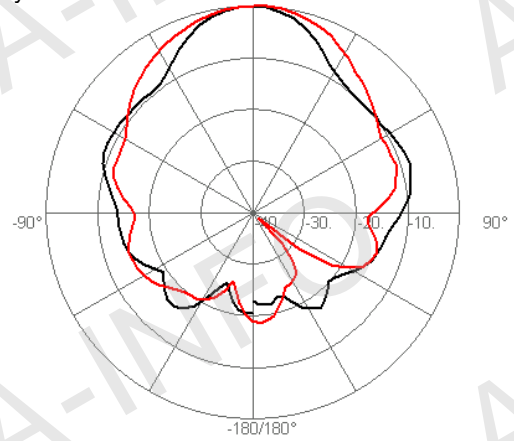
Pattern

Frequency: 1.0GHz



H-Plane ——— 3dB Beamwidth (deg): 71.54
 E-Plane - - - - 3dB Beamwidth (deg): 62.27

Frequency: 2.0GHz

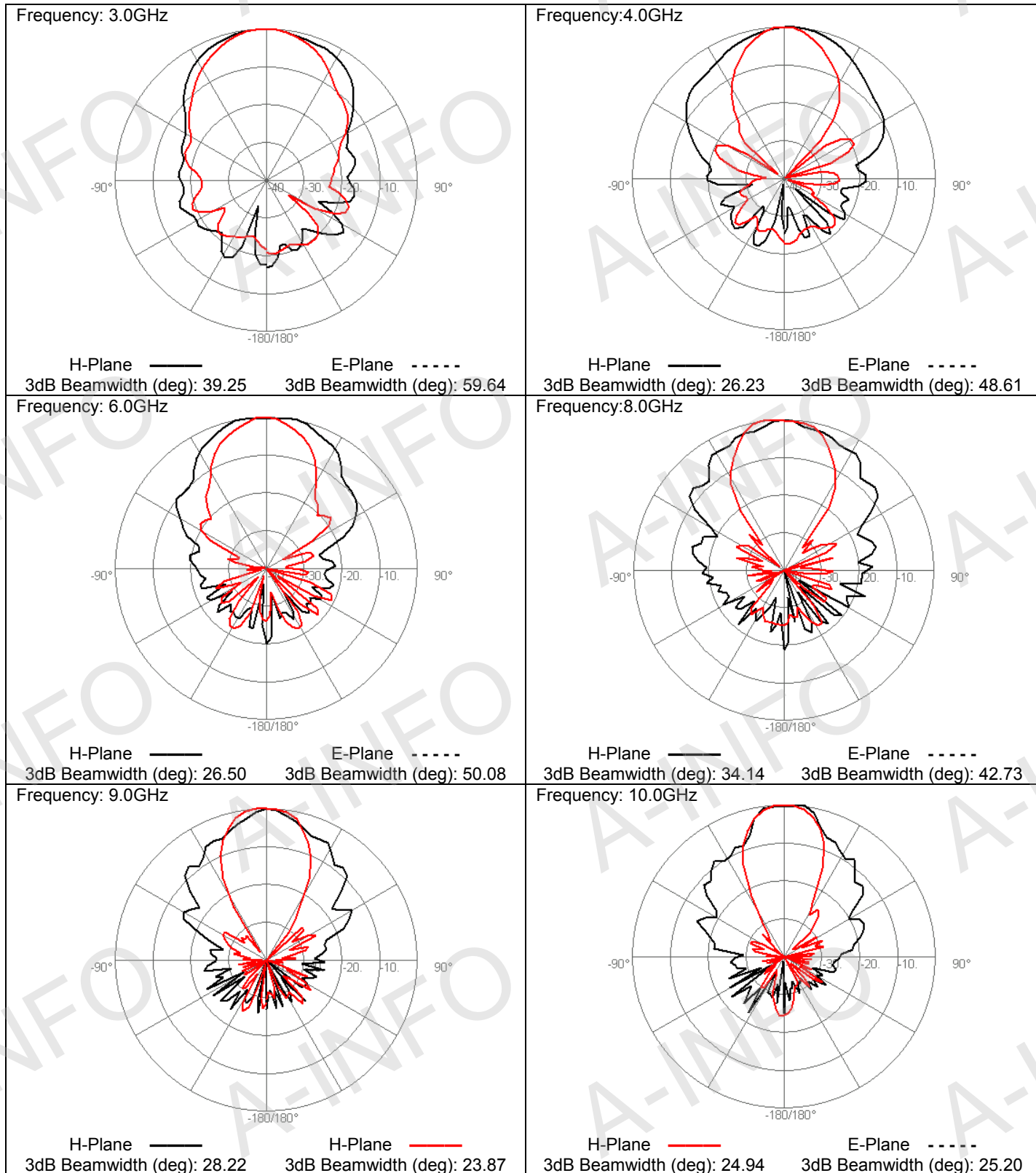


H-Plane ——— 3dB Beamwidth (deg): 50.46
 E-Plane - - - - 3dB Beamwidth (deg): 34.13

Dual Pol. Horn Antenna 1.0-10.0GHz(continued)

P/N: LB-SJ-10100

Pattern



Dual Polarization Horn Antenna 2.0~18.0GHz

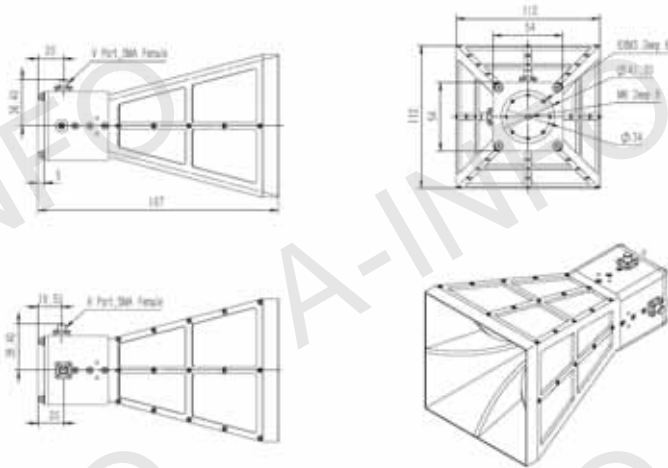
P/N: LB-SJ-20180



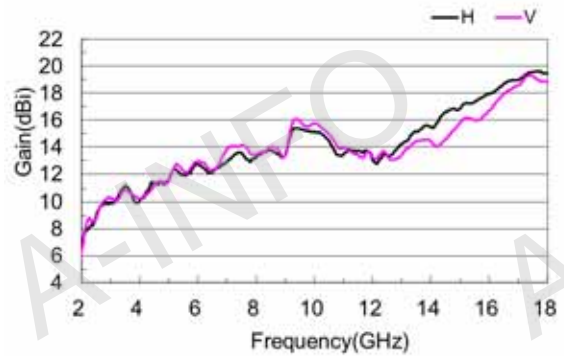
Technical Specification

Frequency Range(GHz)	2 - 18
Gain(dB)	15 Typ.
Polarization	Dual Pol.
VSWR	2.0:1 Typ. 3.0:1 Max
3dB Beamwidth(deg)	80-10
Port to Port Isolation(dB)	30 Min
Cross Pol. Isolation(dB)	20 Min
Connector	SMA -Female
Power Handling(W) CW	25 Max
Size(mm)	112 x 112 x 187
Net Weight(Kg)	0.68 Around

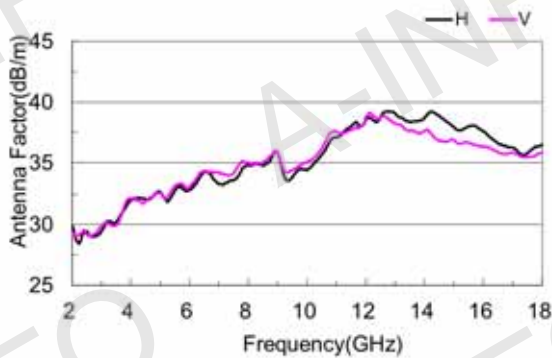
Outline Drawing (Size:mm)



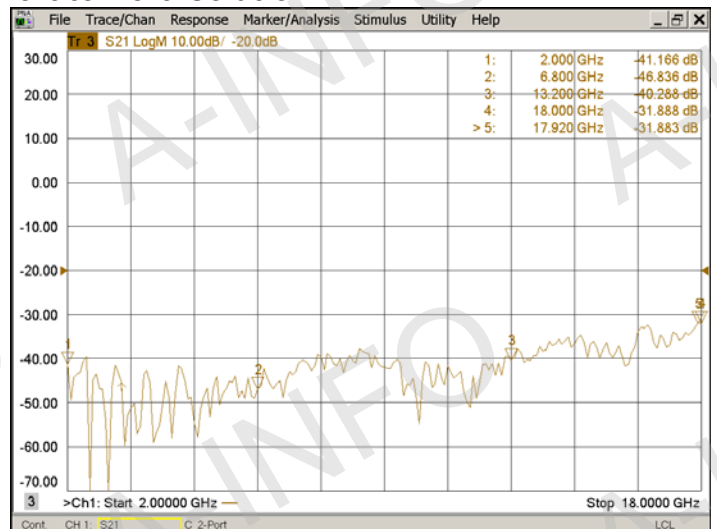
Gain



Antenna Factor



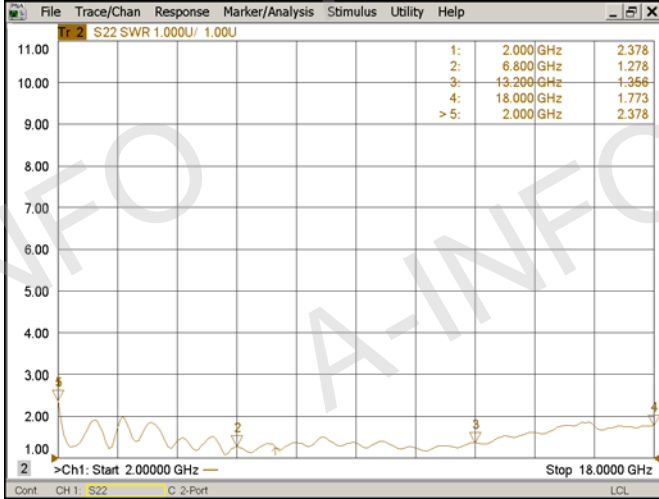
Port to Port Isolation



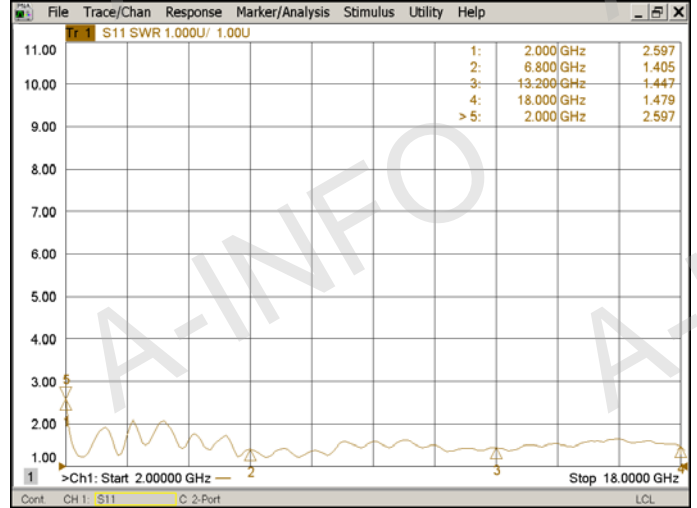
Dual Pol. Horn Antenna 2.0-18.0GHz(continued)

P/N: LB-SJ-20180

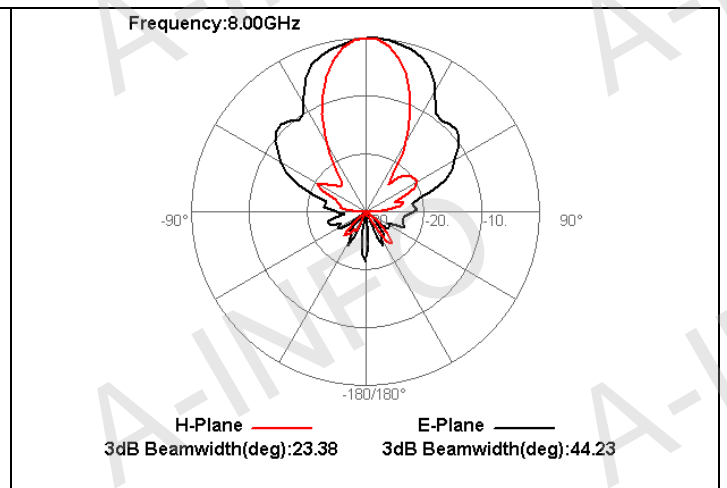
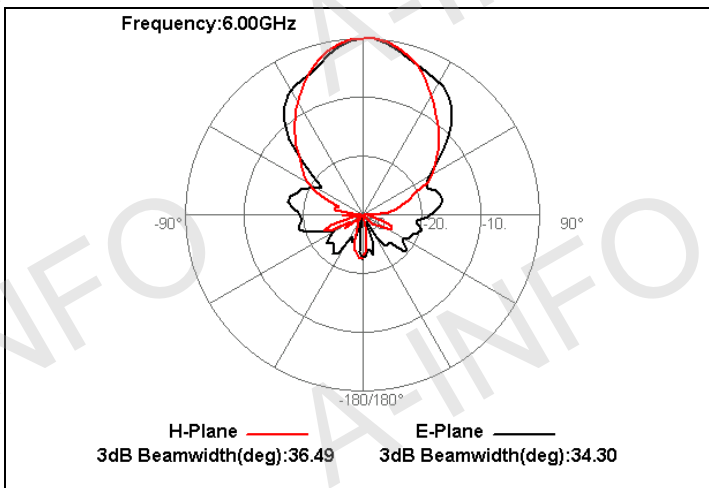
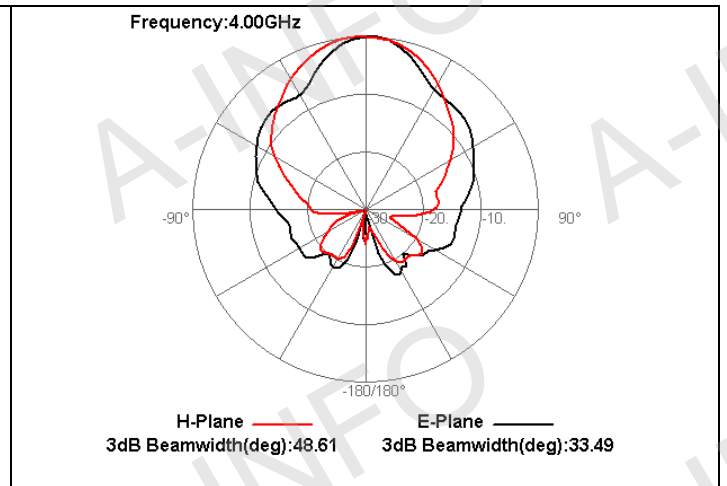
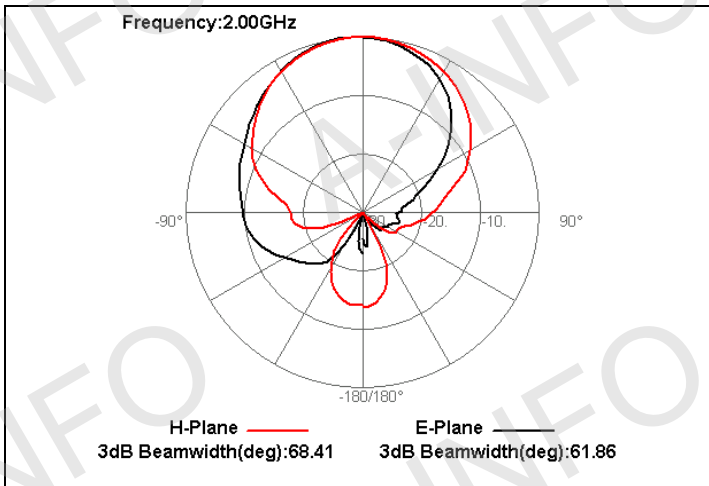
VSWR(Port-V)



VSWR(Port-H)



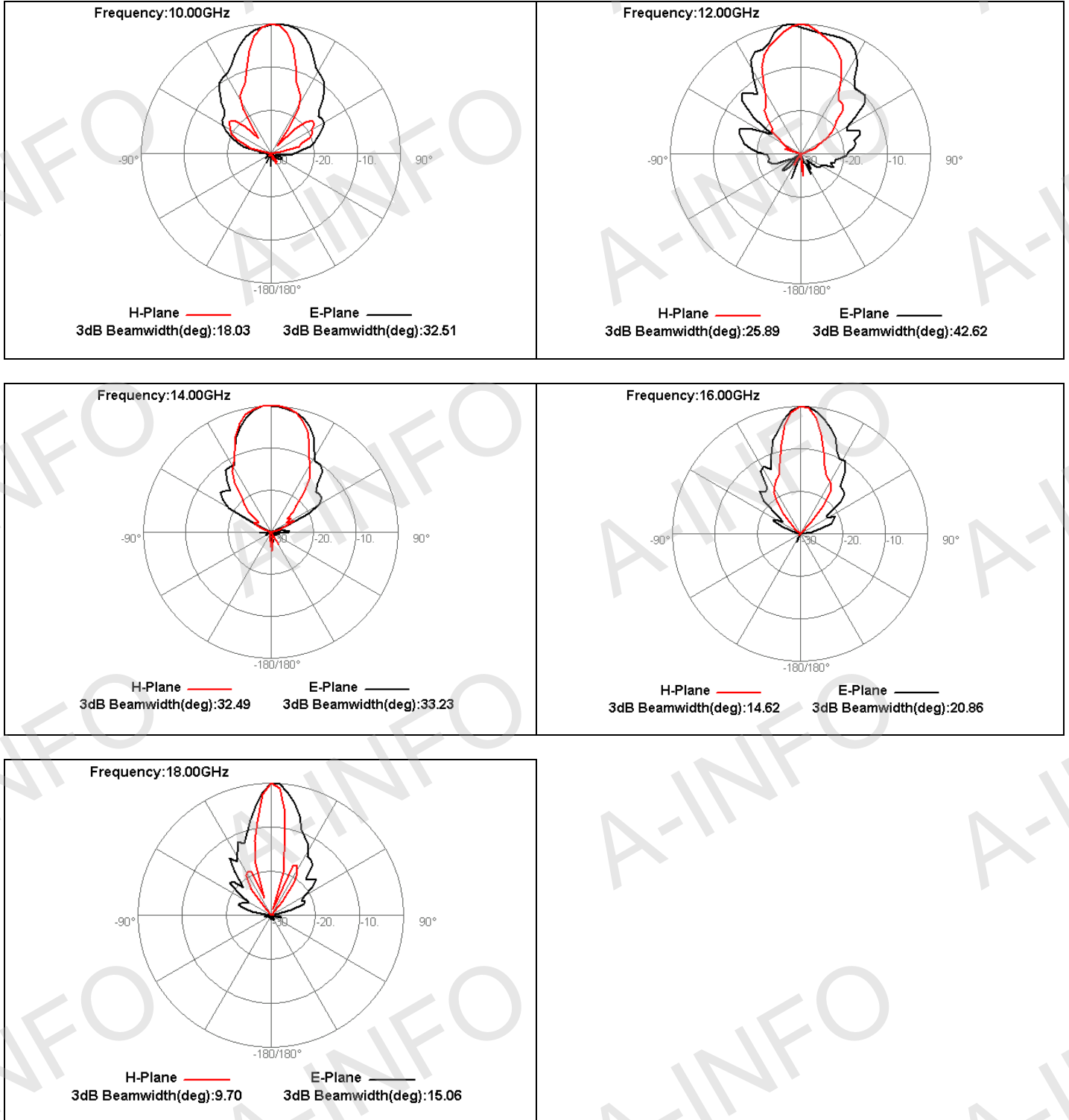
Pattern



Dual Pol. Horn Antenna 2.0-18.0GHz(continued)

P/N: LB-SJ-20180

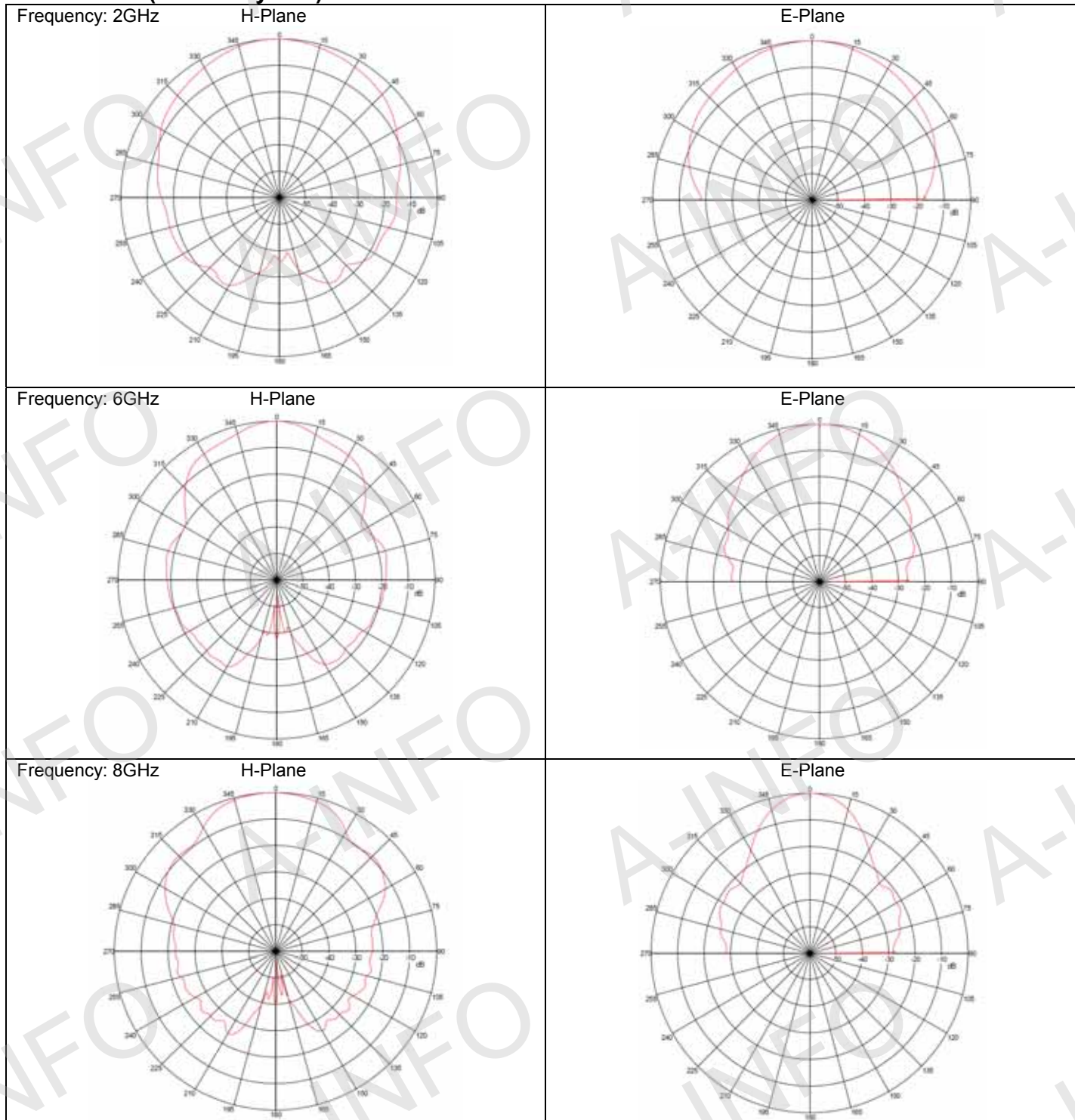
Pattern



Dual Pol. Horn Antenna 2.0-18.0GHz(continued)

P/N: LB-SJ-20180

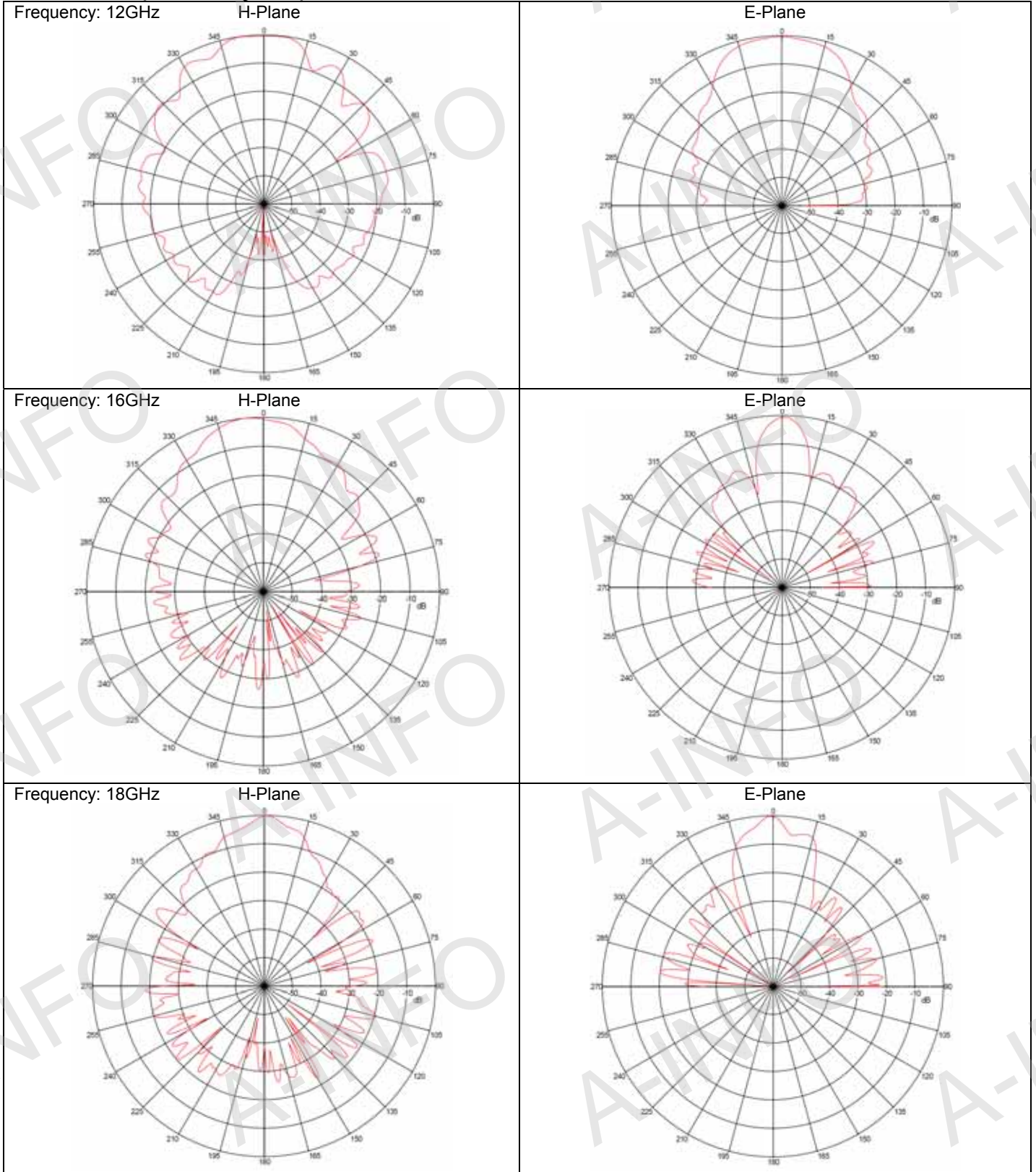
Pattern (Tested by NSI)



Dual Pol. Horn Antenna 2.0-18.0GHz(continued)

P/N: LB-SJ-20180

Pattern (Tested by NSI)



Dual Polarization Horn Antenna 6.0~18.0GHz

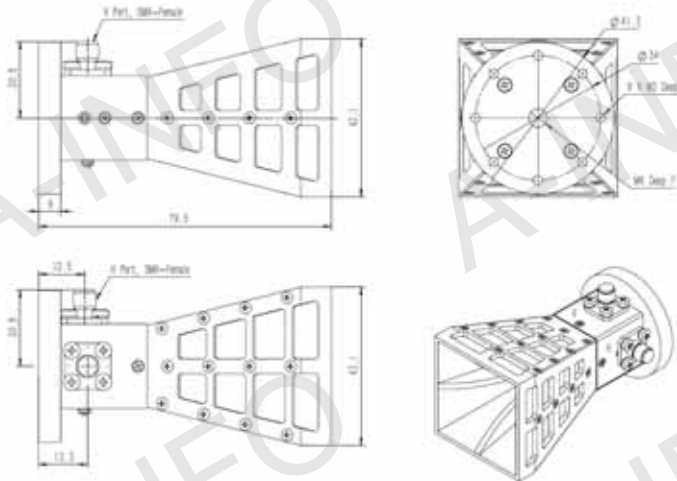
P/N: LB-SJ-60180



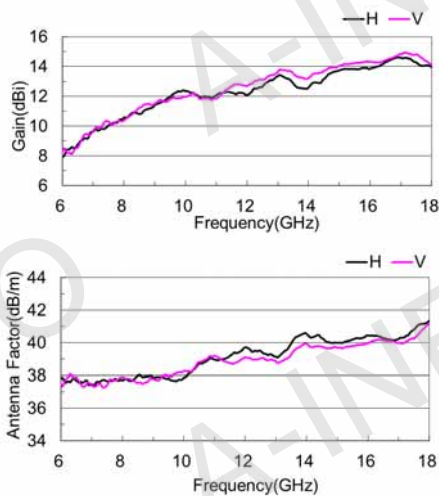
Technical Specification

Frequency Range(GHz)	6 - 18
Gain(dB)	12 Typ.
Polarization	Dual Pol.
VSWR	2.0:1 Typ. 2.5:1 Max.
3dB Beamwidth(deg)	77-24
Port to Port Isolation(dB)	30 Min
Cross Pol. Isolation(dB)	30 Typ. 20 Min.
Connector	SMA -Female
Power Handling(W) CW	25 Max
Size(mm)	43.1x43.1x79.5
Net Weight(Kg)	0.1 Around

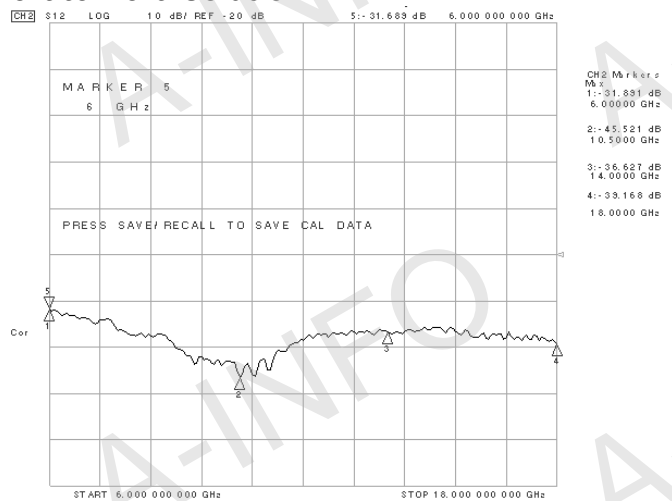
Outline Drawing (Size: mm)



Gain & Antenna Factor



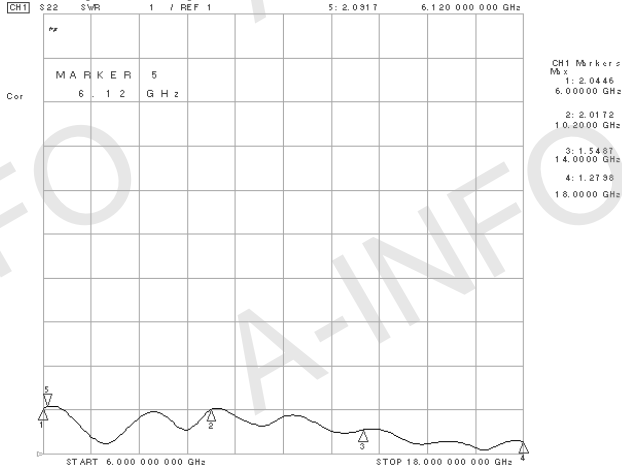
Port to Port Isolation



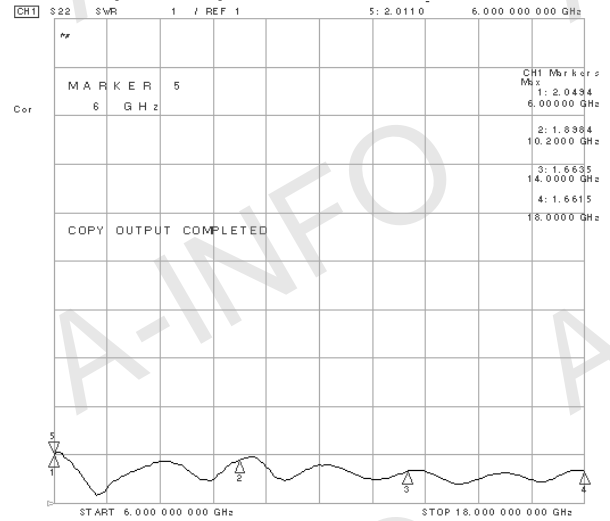
Dual Pol. Horn Antenna 6.0-18.0GHz(continued)

P/N: LB-SJ-60180

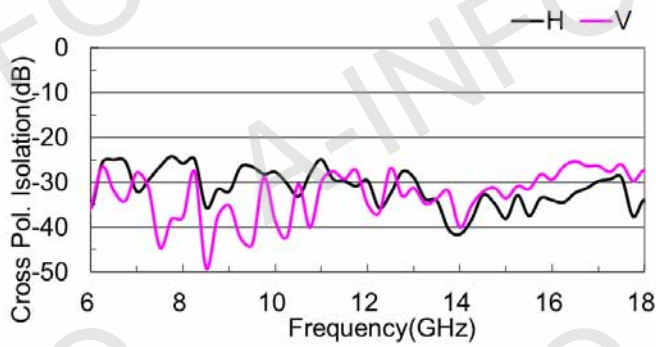
VSWR(Port-V)



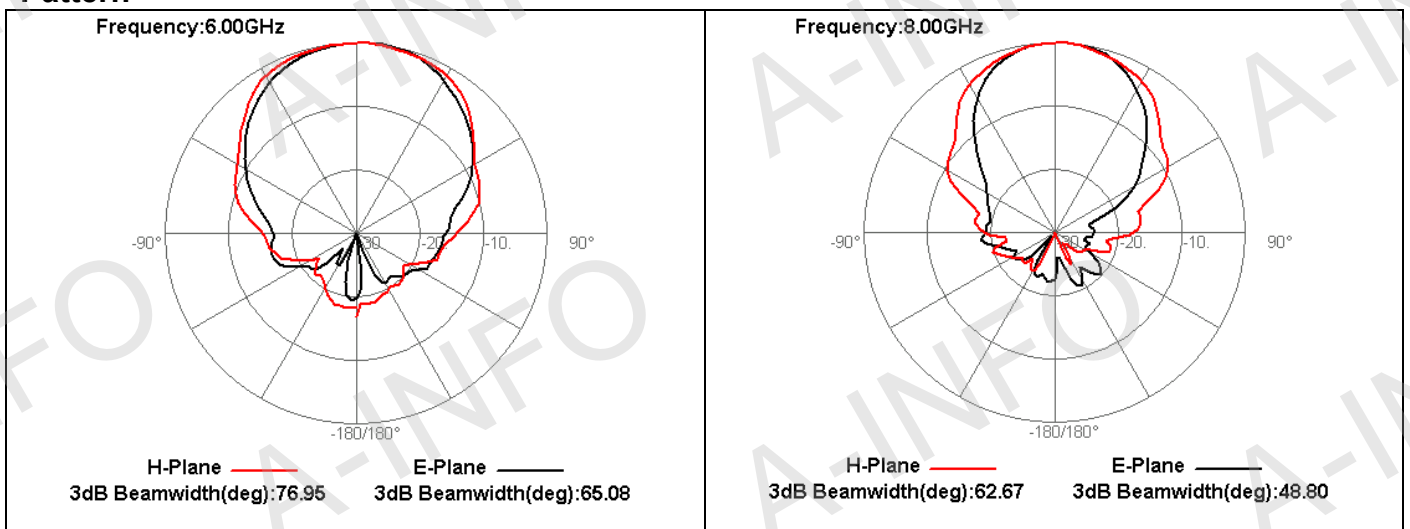
VSWSR(Port-H)



Cross Polarization Isolation



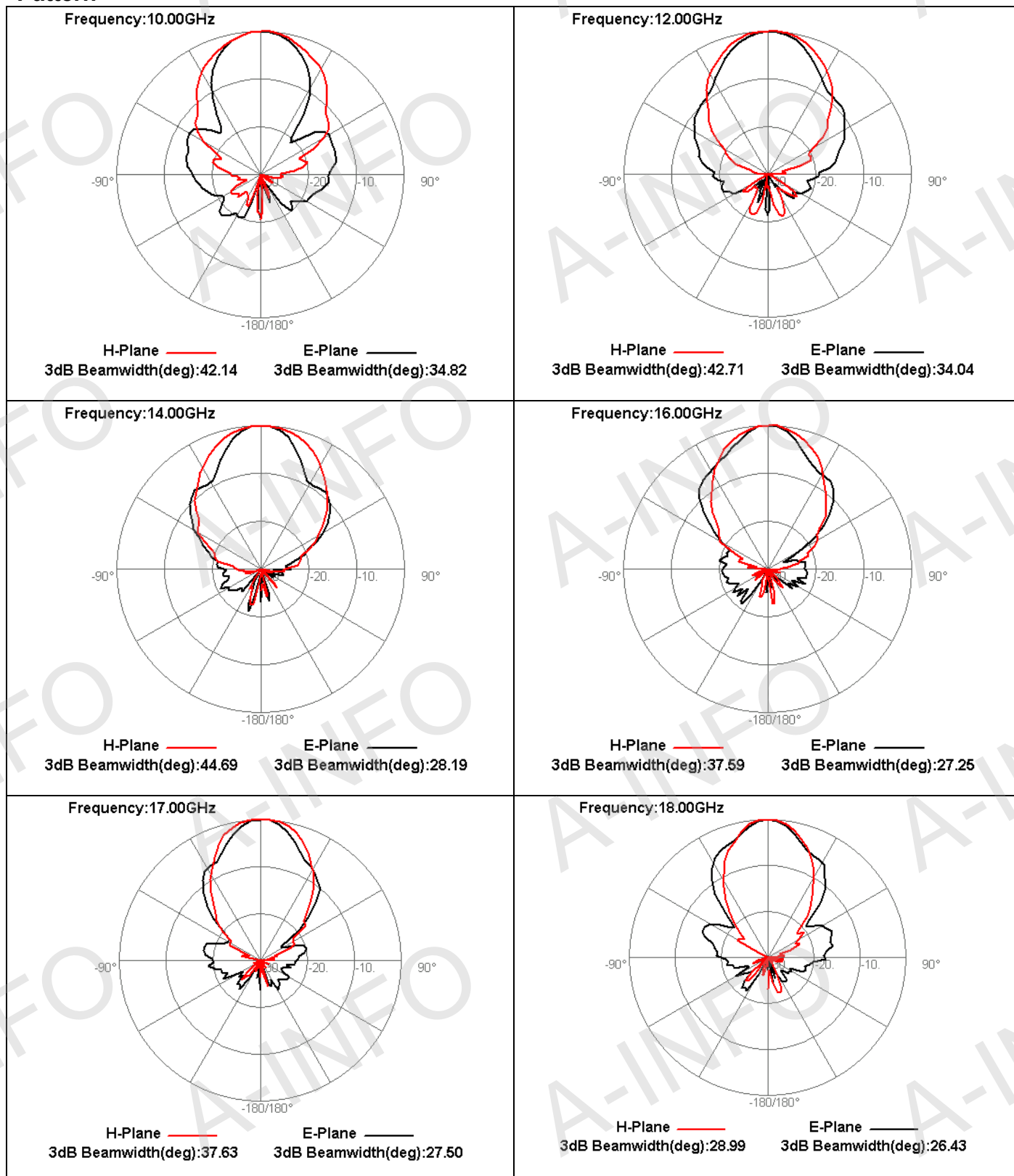
Pattern



Dual Pol. Horn Antenna 6.0-18.0GHz(continued)

P/N: LB-SJ-60180

Pattern



Broadband Dual Polarization Horn Antenna 18.0~40.0GHz

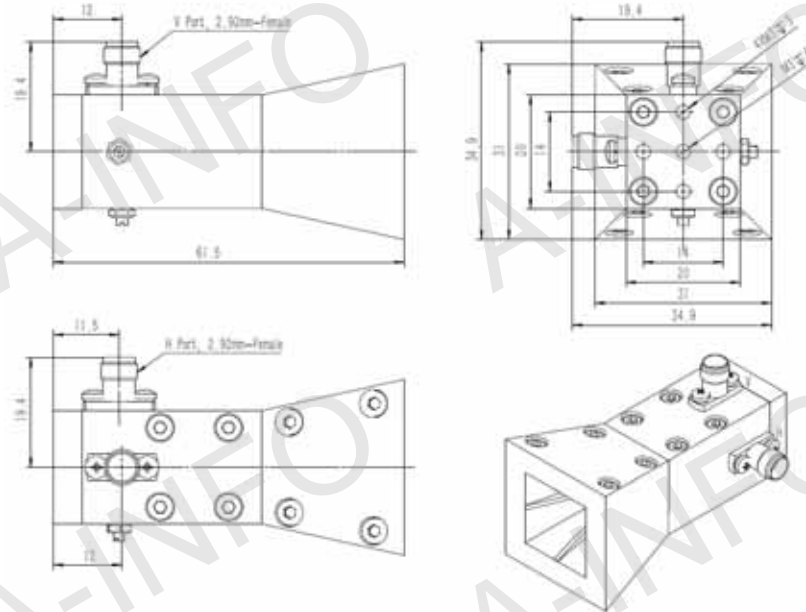
P/N: LB-SJ-180400



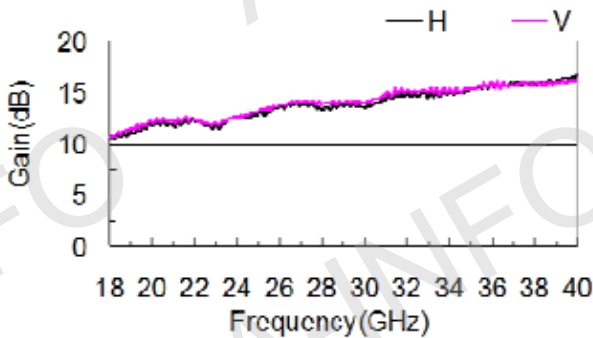
Technical Specification

Frequency Range(GHz)	18 - 40
Gain(dB)	15 Typ.
Polarization	Dual Pol.
VSWR	2.0:1 Typ. 3.0:1 Max.
3dB Beamwidth(deg)	55-20
Port to Port Isolation(dB)	20 Min.
Cross Pol. Isolation(dB)	20 Min./ 30 Typ.
Connector	2.92mm-Female
Power Handling(W) CW	10 Max.
Size(mm)	31 x 31 x 61.5
Net Weight(Kg)	0.25 Around

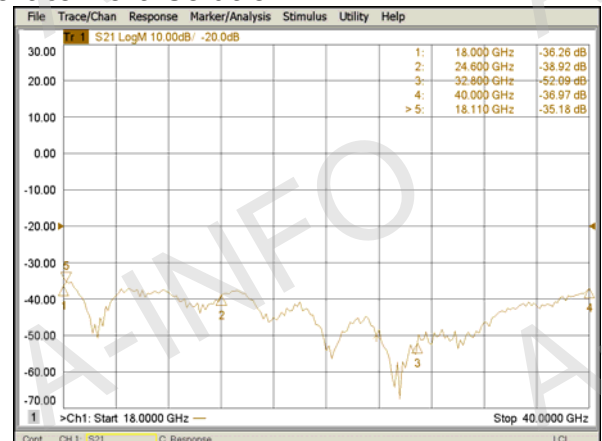
Outline Drawing (Size: mm)



Gain



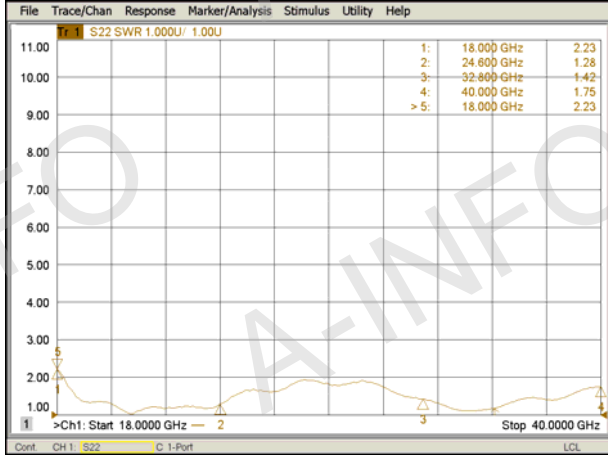
Port to Port Isolation



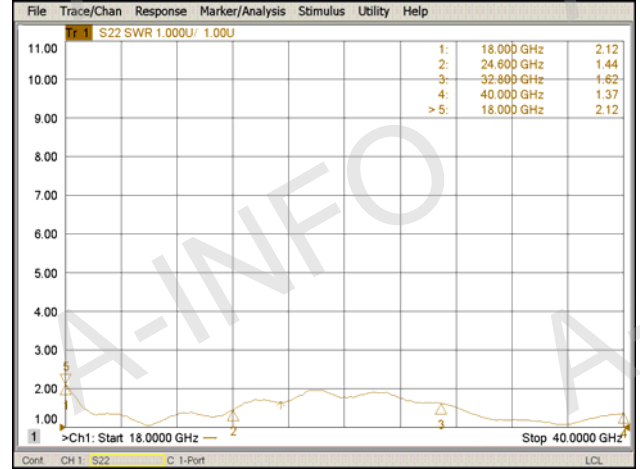
Broadband Dual Pol. Horn Antenna 18.0-40.0GHz(continued)

P/N: LB-SJ-180400

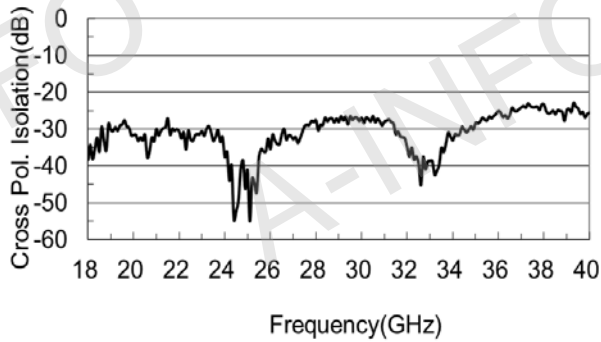
VSWR(Port-V)



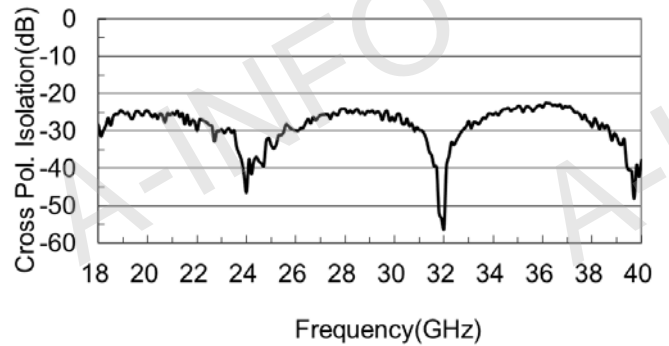
VSWR(Port-H)



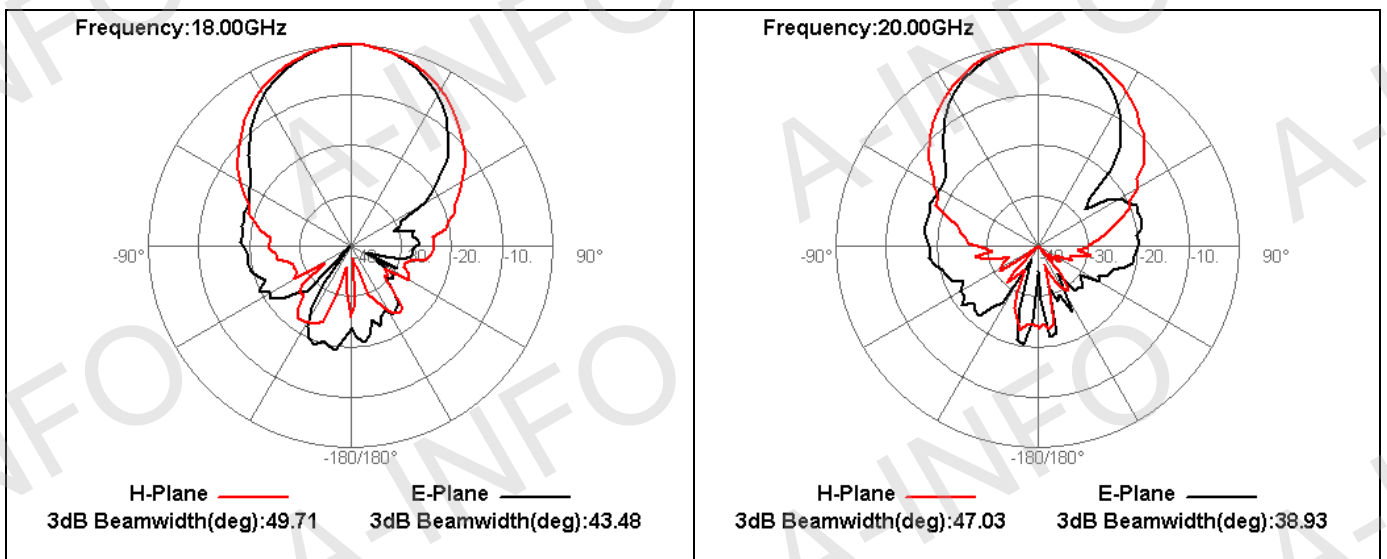
Cross Polarization Isolation(Port-V)



Cross Polarization Isolation(Port-H)



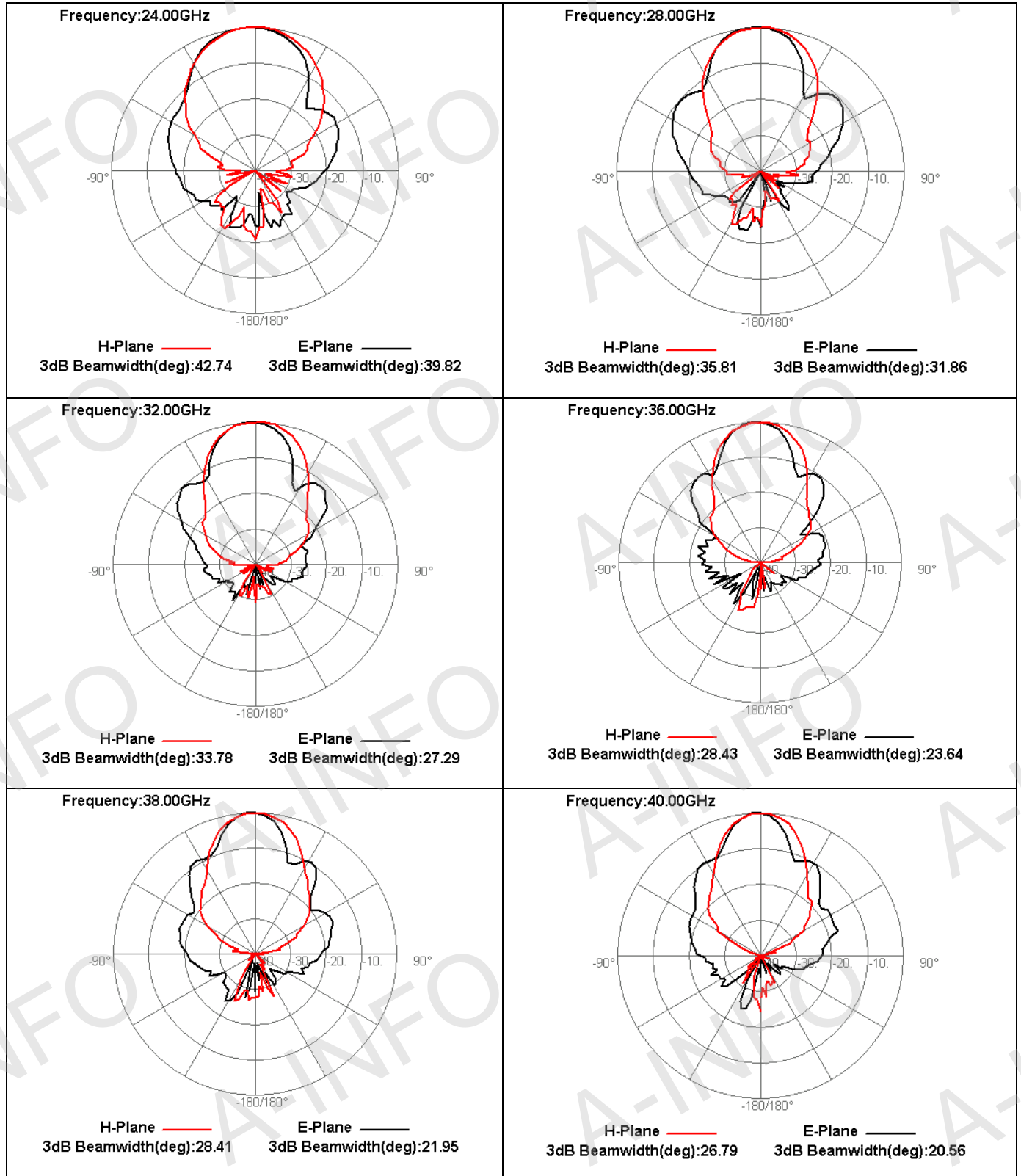
Pattern



Broadband Dual Pol. Horn Antenna 18.0-40.0GHz(continued)

P/N: LB-SJ-180400

Pattern



Open Boundary Quad-Ridged Horn Antenna



For detailed test data, pls. Log on www.ainfoinc.com – Antenna – Broadband Horn Antenna and download.

Model	Freq. (GHz)	Pol.	Gain (dB)	VSWR Typ.	Port Isolation (dB) Min.	Connector	Power Handling (W) CW Max.	Size (mm)
LB-OSJ-0460-SF	0.4-6.0	Dual	4-14	1.5:1	20	SMA-F	50	510x510x550
LB-OSJ-0460-NF	0.4-6.0	Dual	4-14	1.5:1	20	N-F	50	510x510x550
LB-OSJ-0760-SF	0.7-6.0	Dual	11	2.0:1	20	SMA-F	50	310x310x411
LB-OSJ-0760-NF	0.7-6.0	Dual	11	2.0:1	20	N-F	50	310x310x411
LB-OSJ-07100-SF	0.7-10.0	Dual	11	2.0:1	20	SMA-F	50	310x310x411
LB-OSJ-07100-NF	0.7-10.0	Dual	11	2.0:1	20	N-F	50	310x310x411
LB-OSJ-20180-SF	2.0-18.0	Dual	13	2.0:1	20	SMA-F	25	140x140x195

Open Boundary Quad-Ridged Horn Antenna 0.4~6.0GHz

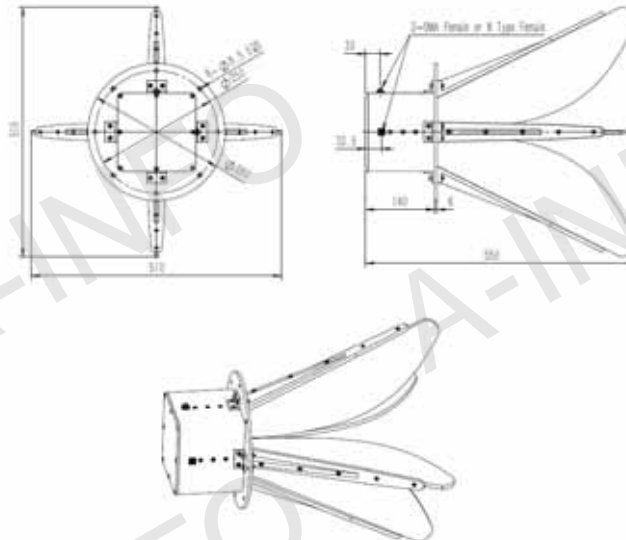
P/N: LB-OSJ-0460



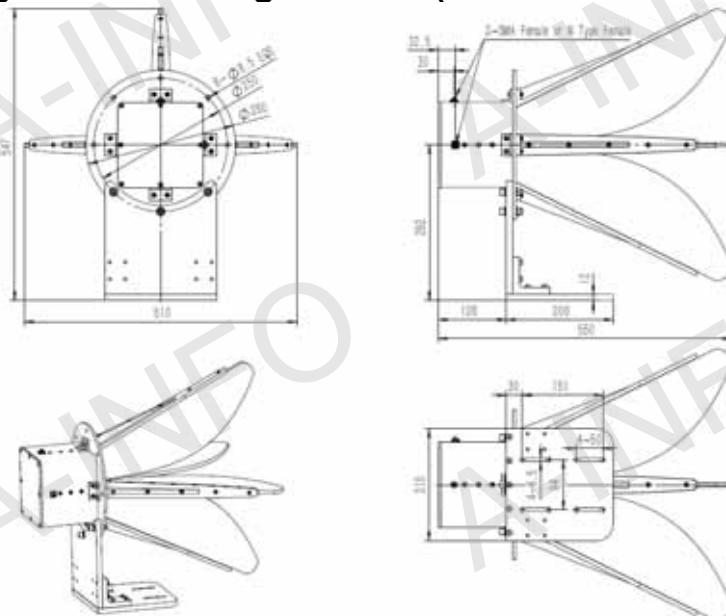
Technical Specification

Frequency Range(GHz)	0.4-6.0
Gain(dB)	4-14
Polarization	Dual Pol.
VSWR	1.5:1 Typ. 3.0:1 Max
V/H 3dB Beamwidth(deg)	80-30
Cross Isolation(dB)	20 Min
Connector	SMA-F/N-F
Power Handling(W) CW	50/50
Size(mm)	510x510x550
Net Weight(Kg)	9.5 Around

Outline Drawing (Size: mm)



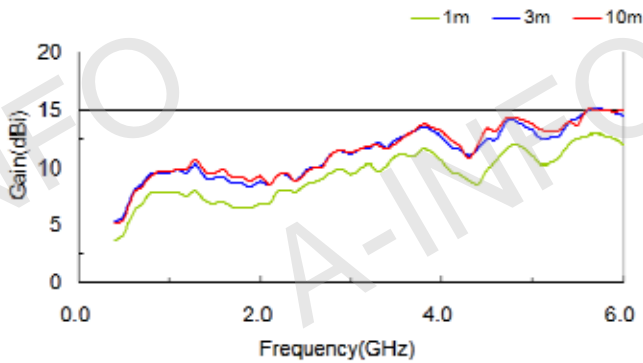
Outline Drawing with Mounting Bracket (Material: non-metal) (Size: mm)



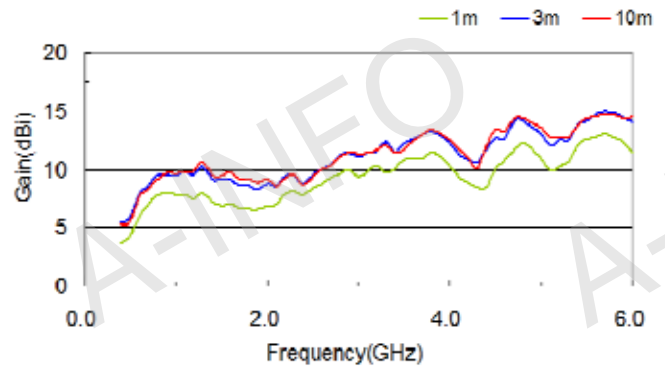
Open Boundary Quad-Ridged Horn Antenna 0.4~6.0GHz (continued)

P/N: LB-OSJ-0460

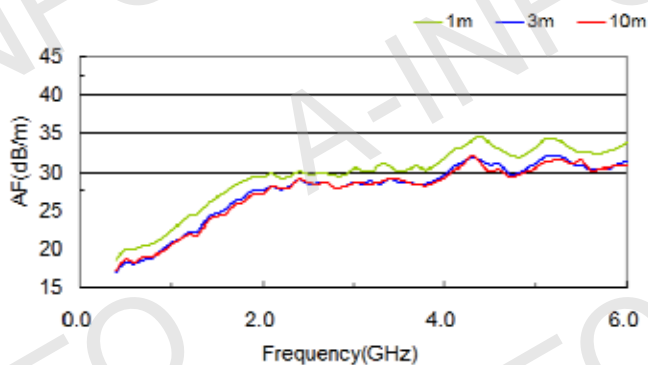
Gain(H port)



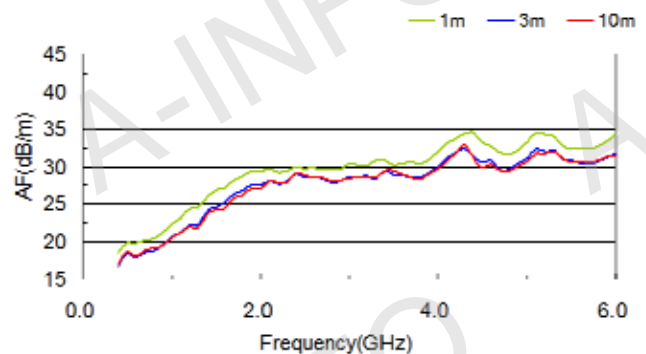
Gain(V port)



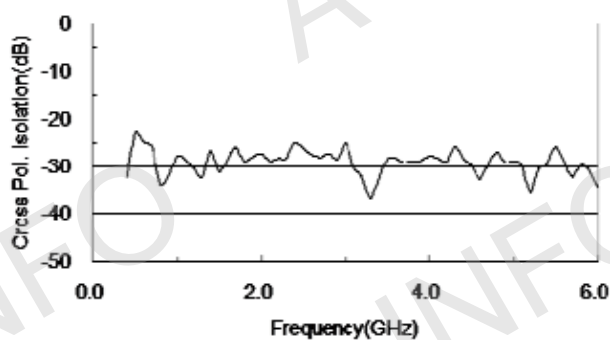
Antenna Factor(H port)



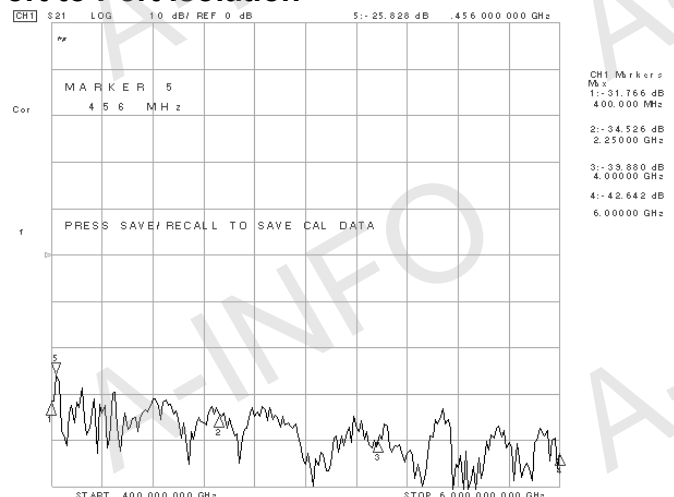
Antenna Factor(V port)



Cross Polarization Isolation



Port to Port Isolation



76

China(Beijing):
China(Chengdu):
USA :

Tel: (+86) 10-6266-7326,
Tel: (+86) 28-8519-2786,
Tel: (+1) 949-346-7326,

(+86) 10-6266-7327
(+86) 28-8519-3044
(+1) 949-639-9660

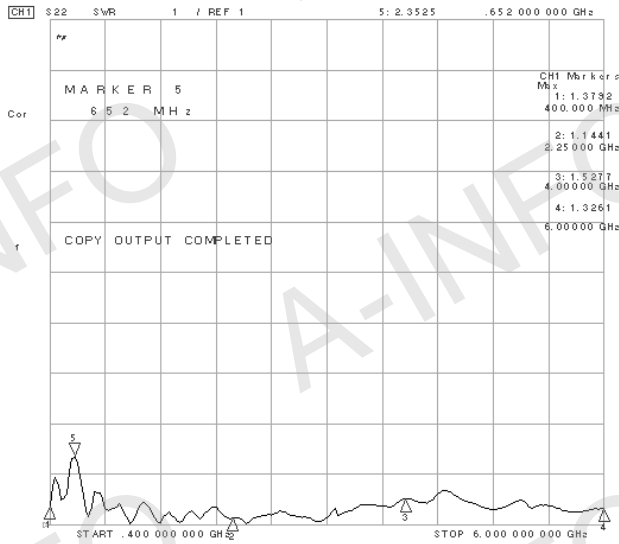
Fax: (+86) 10-6266-7379
Fax: (+86) 28-8519-3068
Fax: (+1) 949-639-9659

Website: www.ainfoinc.com
Email: sales@ainfoinc.com

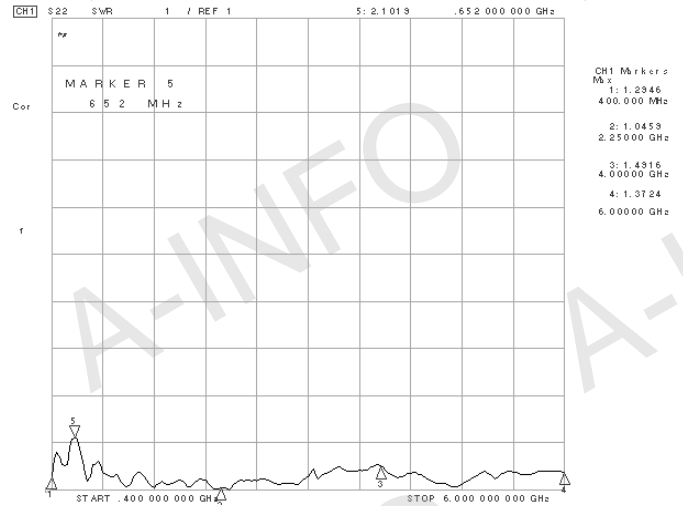
Open Boundary Quad-Ridged Horn Antenna 0.4~6.0GHz (continued)

P/N: LB-OSJ-0460

VSWR(H port)

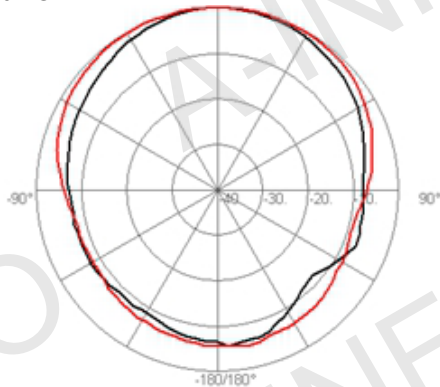


VSWR(V port)



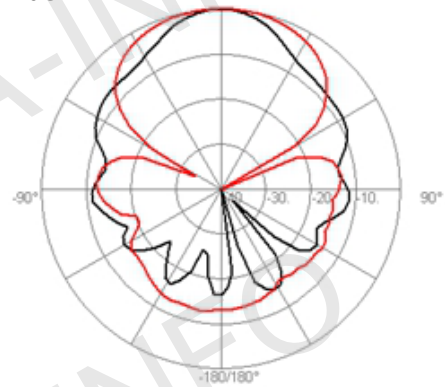
Pattern(Tested by A-INFO)

Frequency: 0.4GHz



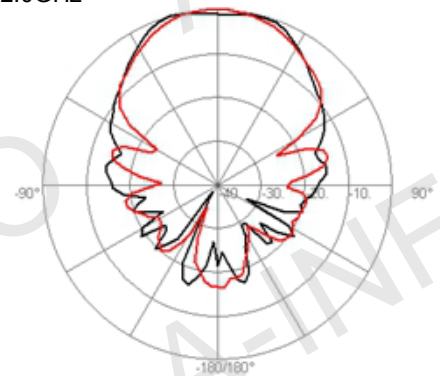
H-Plane 3dB Beamwidth (deg): 136.72
E-Plane 3dB Beamwidth (deg): 89.11

Frequency: 1.0GHz



H-Plane 3dB Beamwidth (deg): 68.28
E-Plane 3dB Beamwidth (deg): 35.84

Frequency: 2.0GHz



H-Plane 3dB Beamwidth (deg): 50.44
E-Plane 3dB Beamwidth (deg): 56.75

Frequency: 3.0GHz



H-Plane 3dB Beamwidth (deg): 41.46
E-Plane 3dB Beamwidth (deg): 48.12

Open Boundary Quad-Ridged Horn Antenna 0.4~6.0GHz (continued)

P/N: LB-OSJ-0460

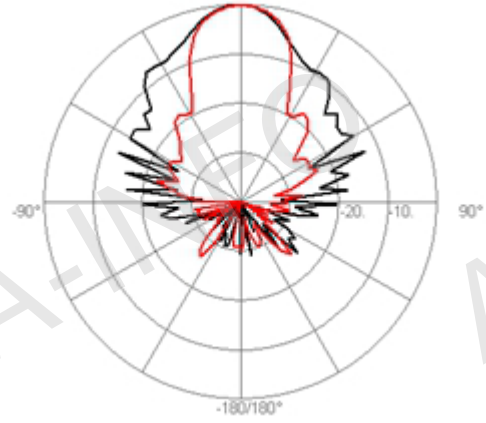
Pattern(Tested by A-INFO)

Frequency: 4.0GHz



H-Plane — E-Plane —
3dB Beamwidth (deg): 19.39 3dB Beamwidth (deg): 31.78

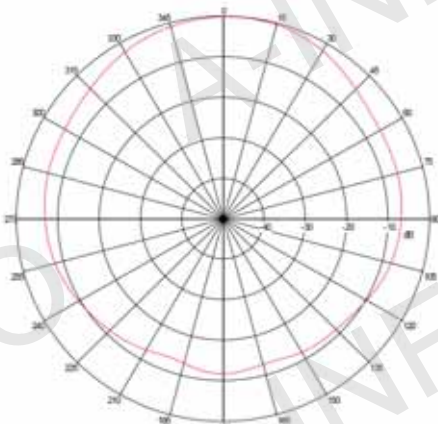
Frequency: 6.0GHz



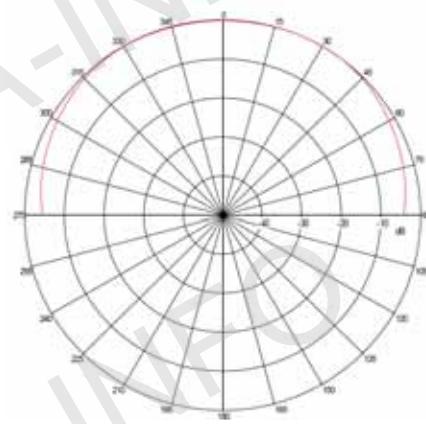
H-Plane — E-Plane —
3dB Beamwidth (deg): 24.98 3dB Beamwidth (deg): 24.62

Pattern(Tested by NSI)

Frequency: 0.4GHz

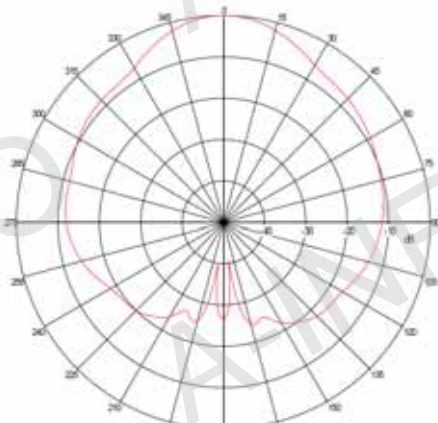


H Plane

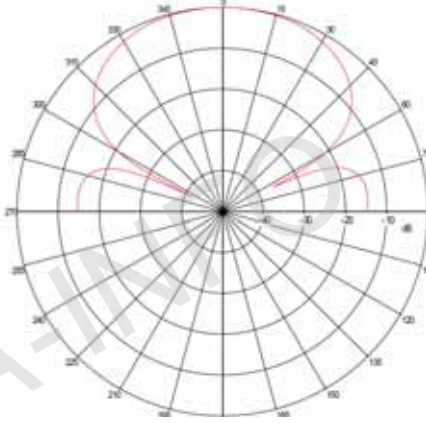


E Plane

Frequency: 1.0GHz



H Plane

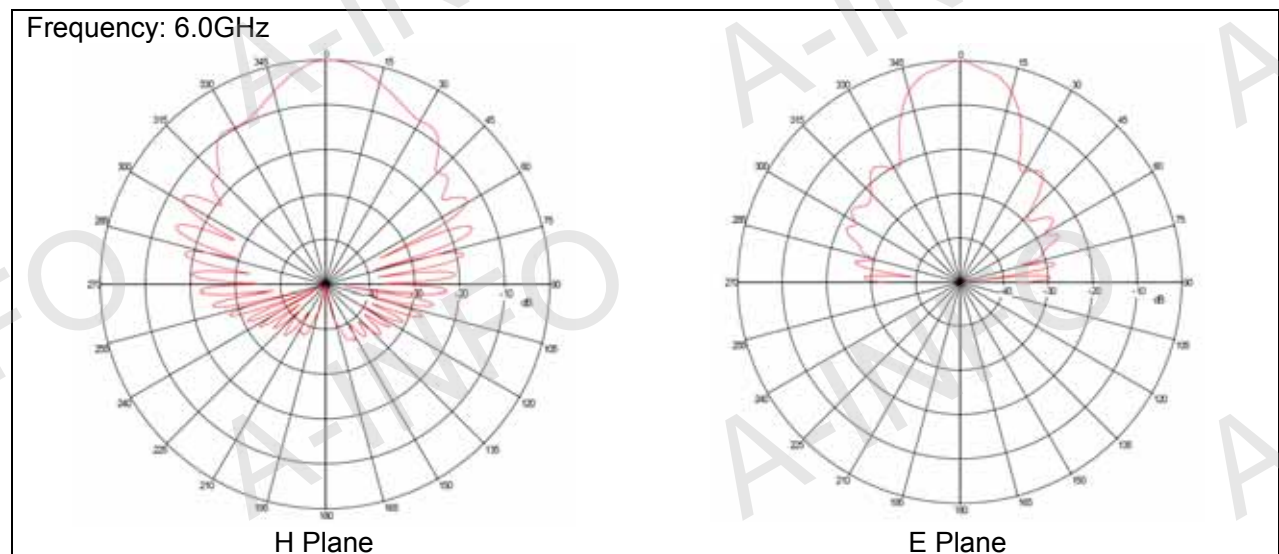
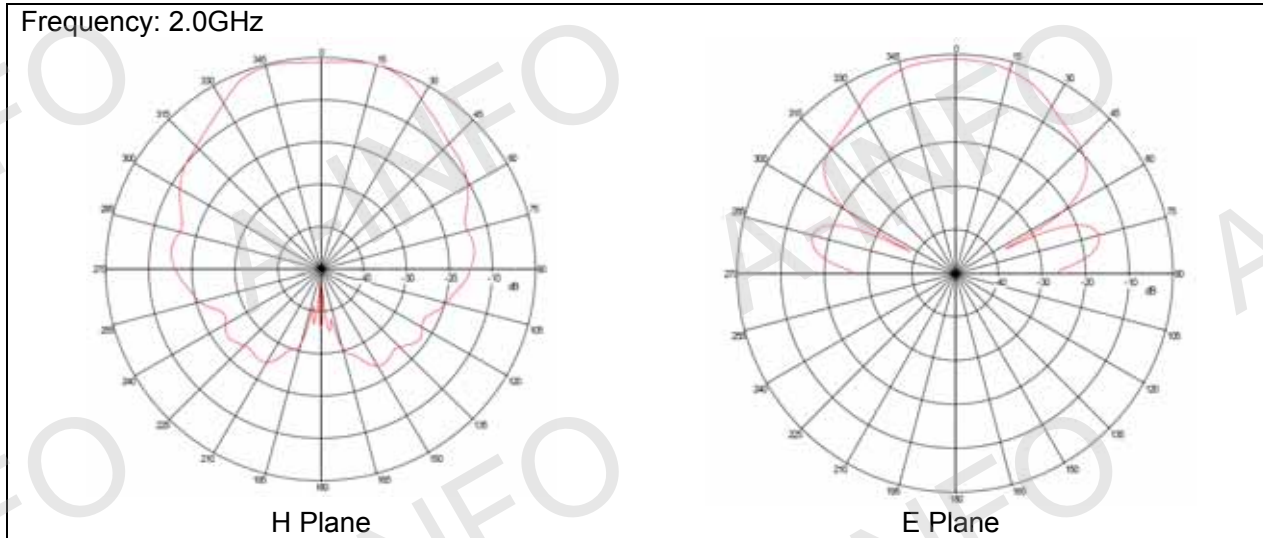


E Plane

Open Boundary Quad-Ridged Horn Antenna 0.4~6.0GHz (continued)

P/N: LB-OSJ-0460

Pattern(Tested by NSI)



Open Boundary Quad-Ridged Horn Antenna 0.7~6.0GHz

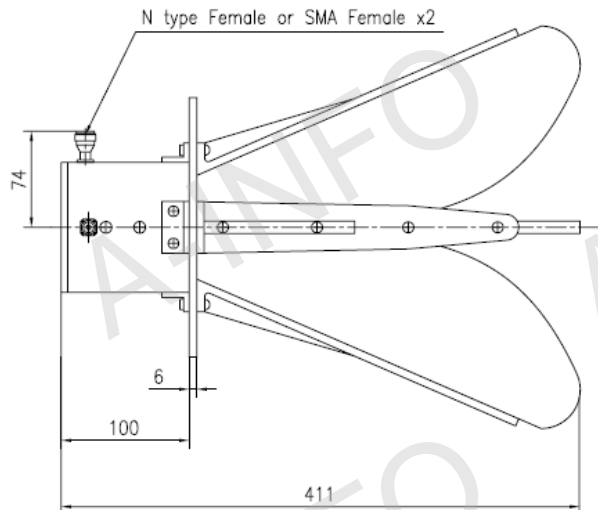
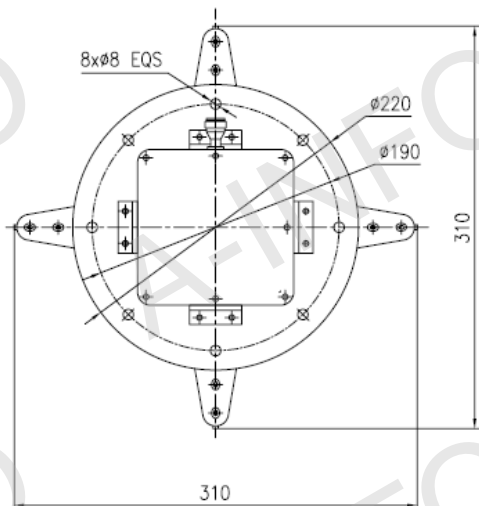
P/N: LB-OSJ-0760



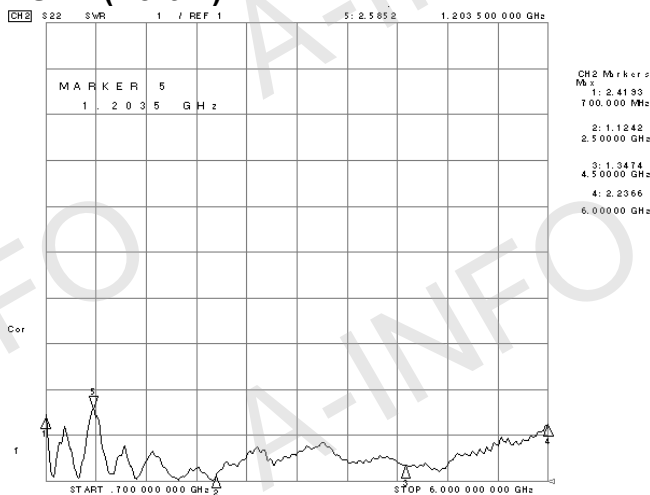
Technical Specification

Frequency Range(GHz)	0.7-6.0
Gain(dB)	11 Typ.
Polarization	Dual Pol.
VSWR	2.0:1 Typ.
V/H 3dB Beamwidth(deg)	120-15
Cross Pol. Isolation (dB)	18 Min
Port Isolation(dB)	20 Min
Connector	SMA-F/N-F
Power Handling(W) CW	50/50
Size(mm)	310x310x411
Net Weight(Kg)	5.0 Around

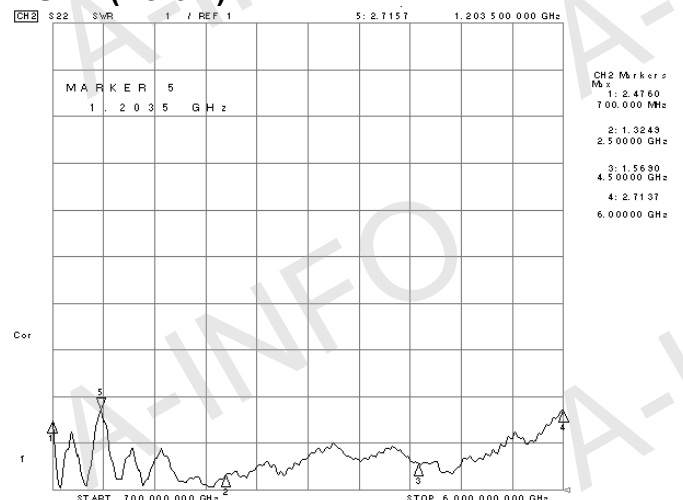
Outline Drawing (Size: mm)



VSWR(Port-H)



VSWR(Port-V)



80

China(Beijing):
China(Chengdu):
USA :

Tel: (+86) 10-6266-7326,
Tel: (+86) 28-8519-2786,
Tel: (+1) 949-346-7326,

(+86) 10-6266-7327
(+86) 28-8519-3044
(+1) 949-639-9660

Fax: (+86) 10-6266-7379
Fax: (+86) 28-8519-3068
Fax: (+1) 949-639-9659

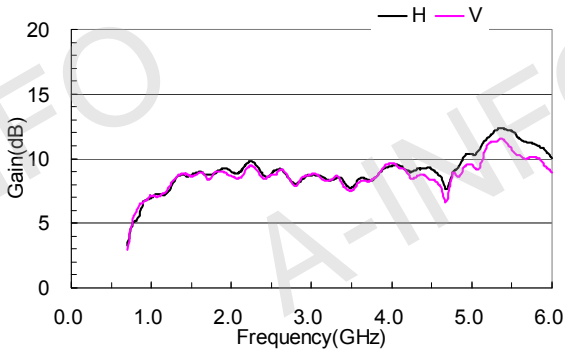
Website: www.ainfoinc.com
Email: sales@ainfoinc.com

Open Boundary Quad-Ridged Horn Antenna 0.7~6.0GHz (continued)

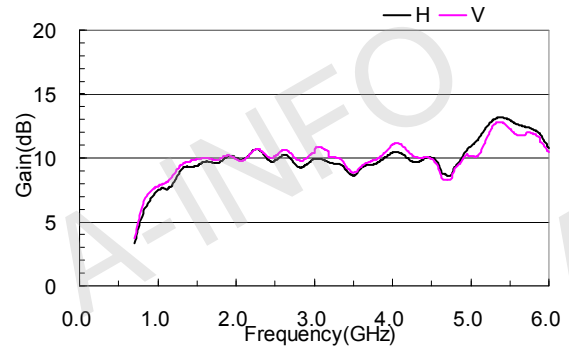
P/N: LB-OSJ-0760

Gain

Gain at 1 m

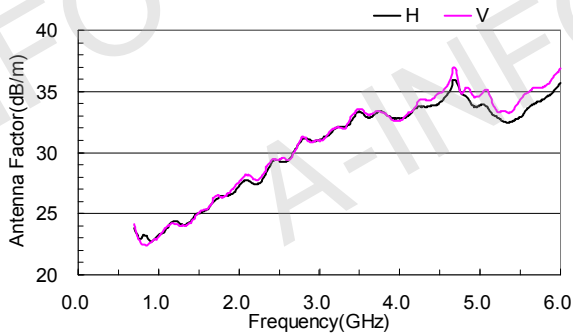


Gain at 3 m

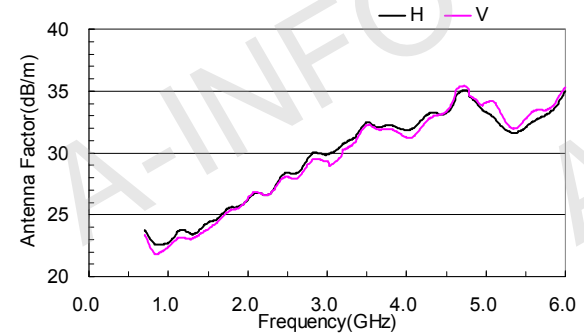


Antenna Factor

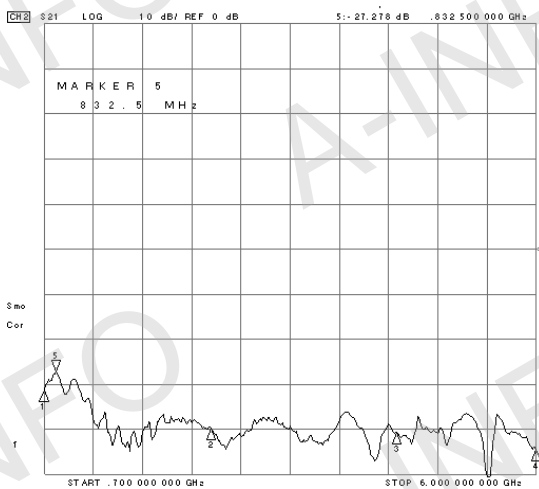
AF at 1 m



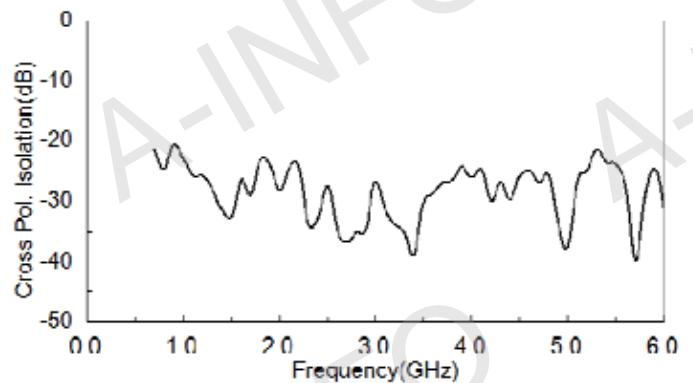
AF at 3 m



Port to Port Isolation

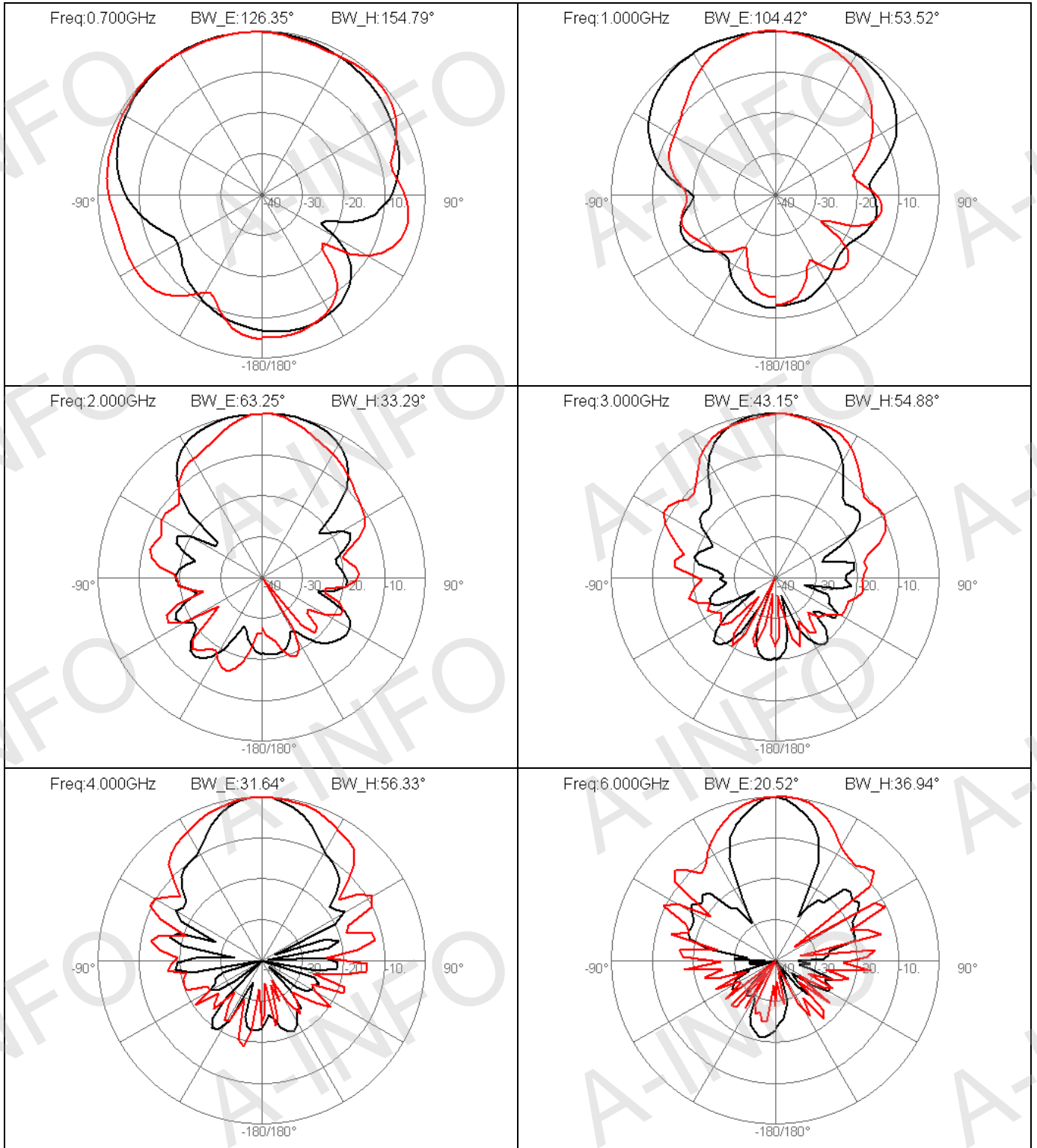


Cross Polarization isolation



Open Boundary Quad-Ridged Horn Antenna 0.7~6.0GHz (continued)

P/N: LB-OSJ-0760



Open Boundary Quad-Ridged Horn Antenna 2.0~18.0GHz

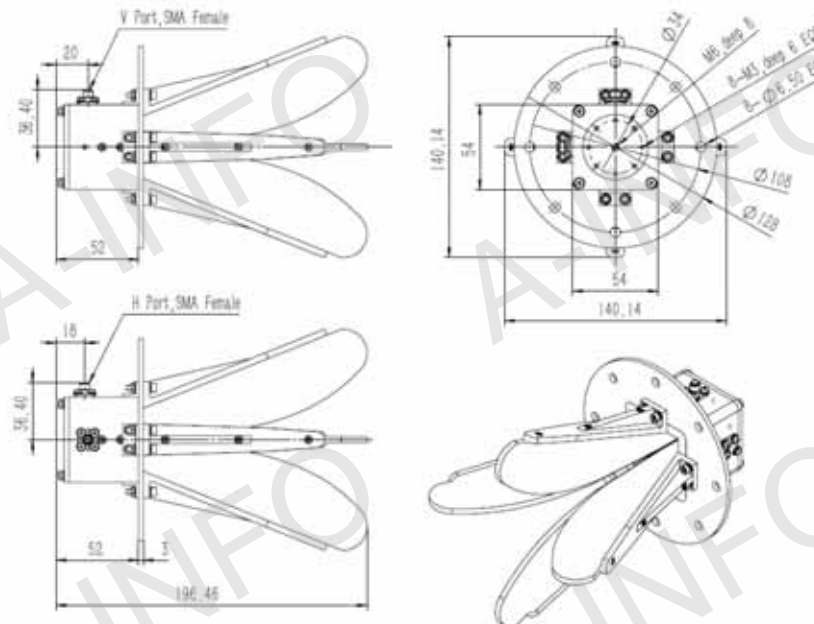
P/N: LB-OSJ-20180



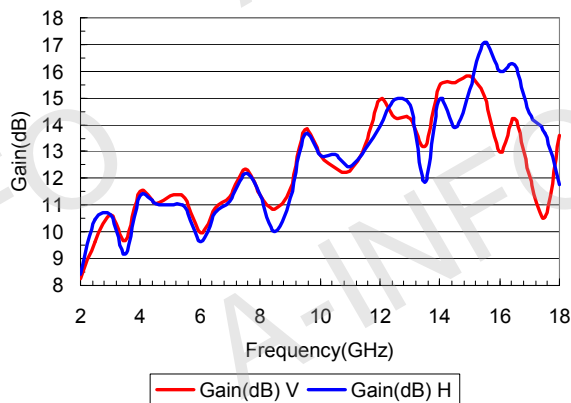
Technical Specification

Frequency Range(GHz)	2.0-18.0
Gain(dB)	13 Typ.
Polarization	Dual Pol.
VSWR	2.0 Typ. 3.0 Max.
V/H 3dB Beamwidth(deg)	80-15
Port to Port Isolation(dB)	20 Min
Connector	SMA-Female
Power Handling(W) CW	25 Max
Size(mm)	140.14x140.14x196.46
Net Weight(Kg)	0.7 Around

Outline Drawing (Size: mm)



Gain



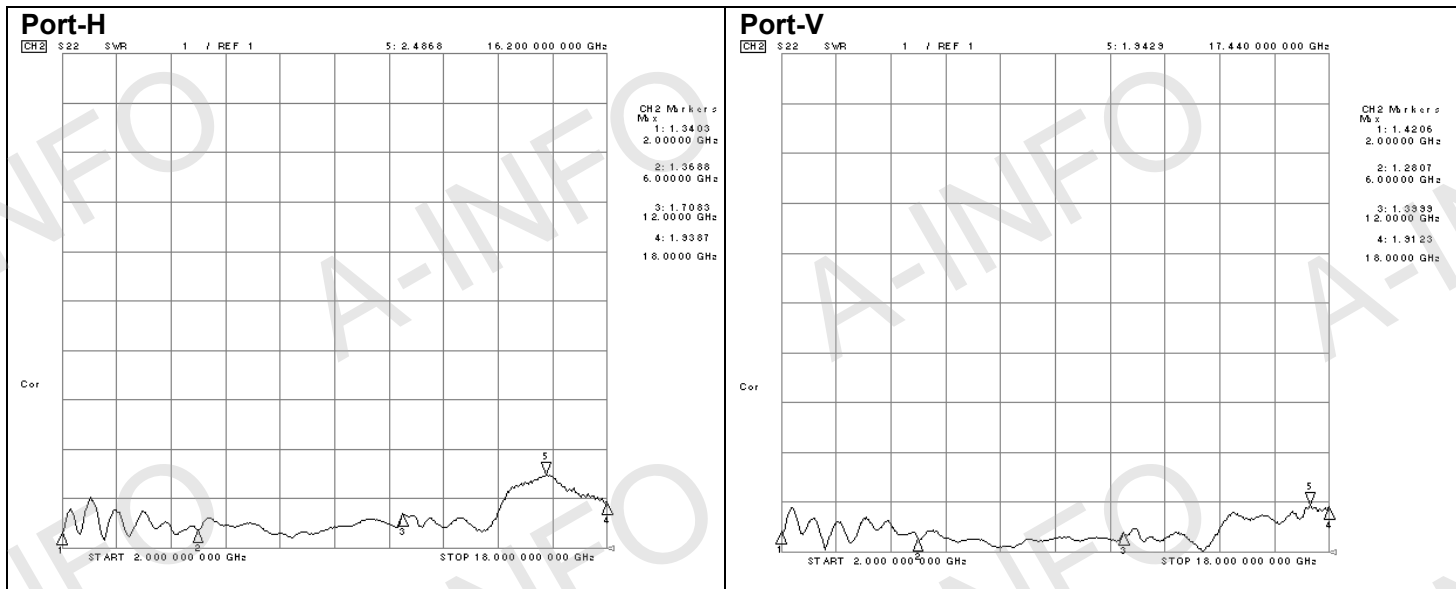
Port to Port Isolation



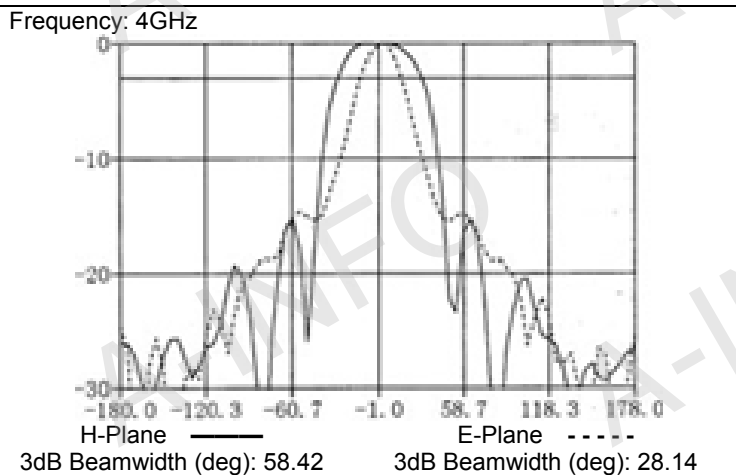
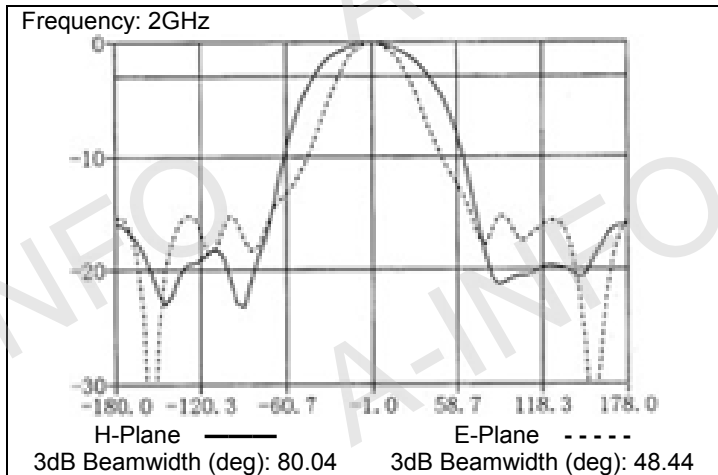
Open Boundary Quad-Ridged Horn Antenna 2.0~18.0GHz (continued)

P/N: LB-OSJ-20180

VSWR



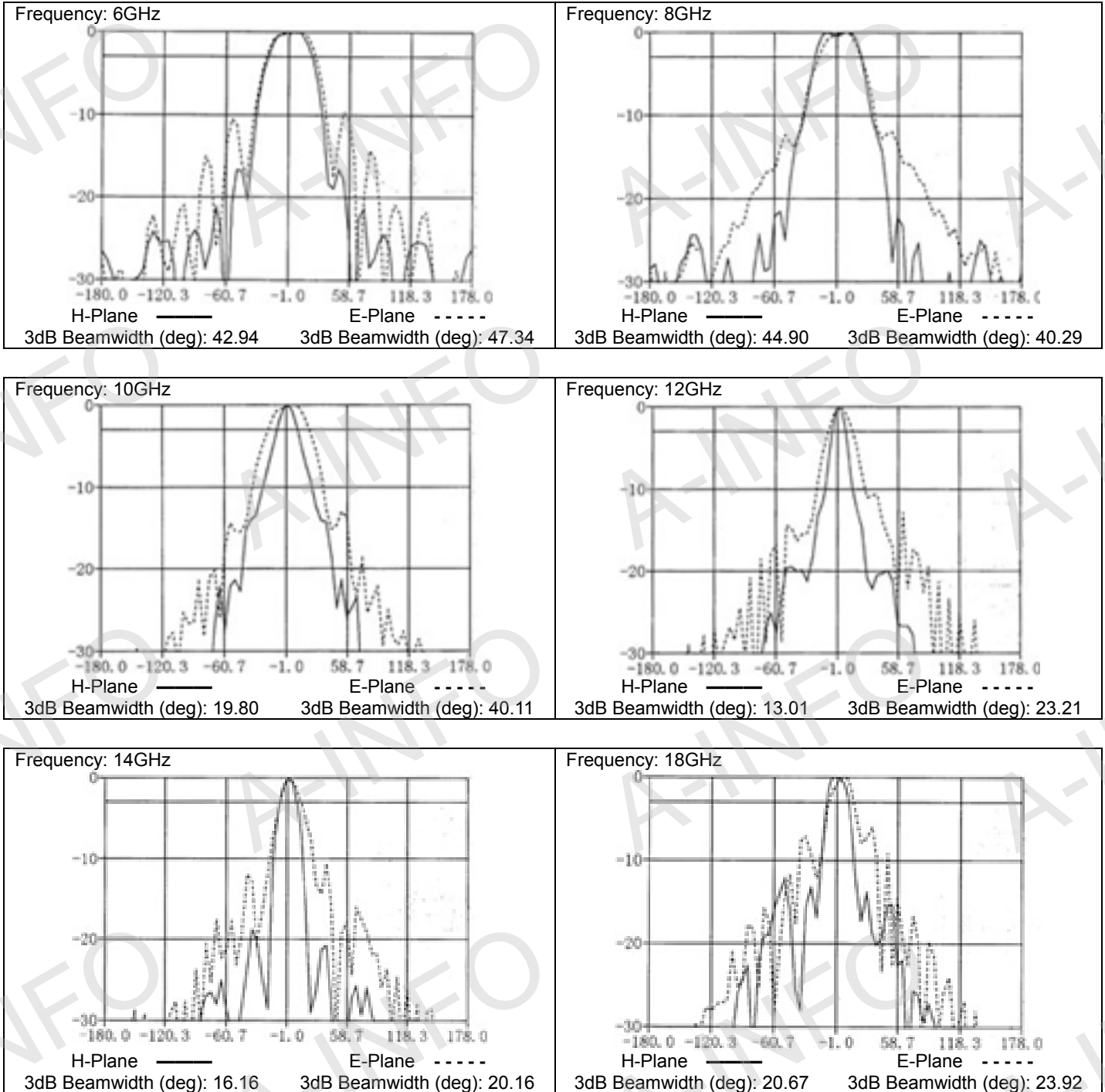
Pattern (Tested by A-INFO)



Open Boundary Quad-Ridged Horn Antenna 2.0~18.0GHz (continued)

P/N: LB-OSJ-20180

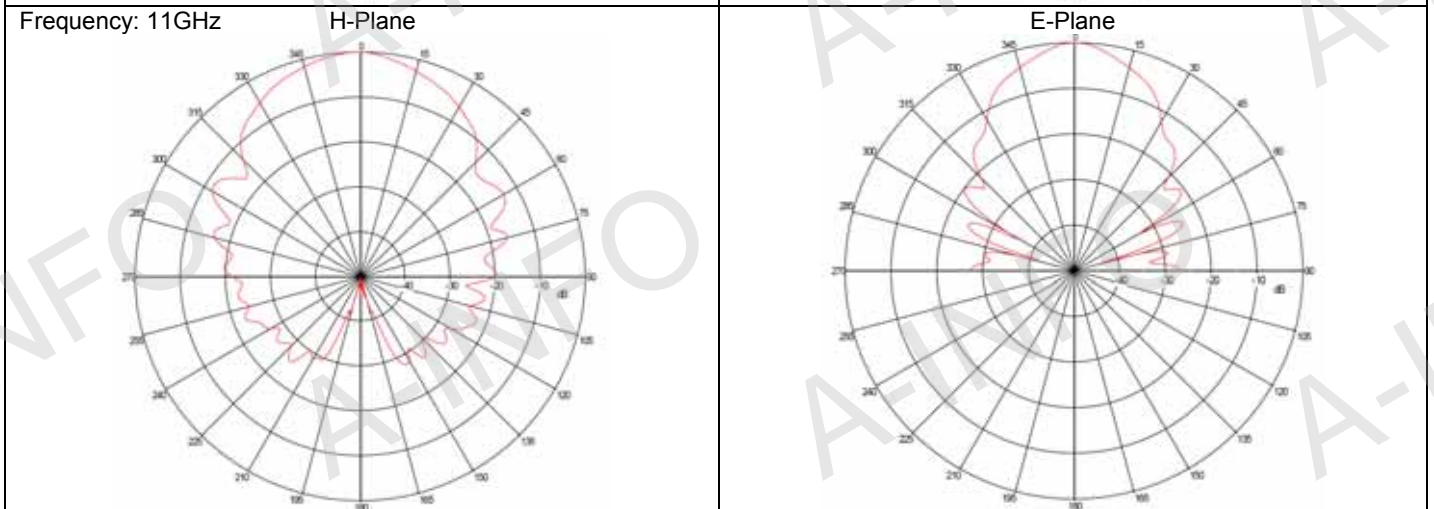
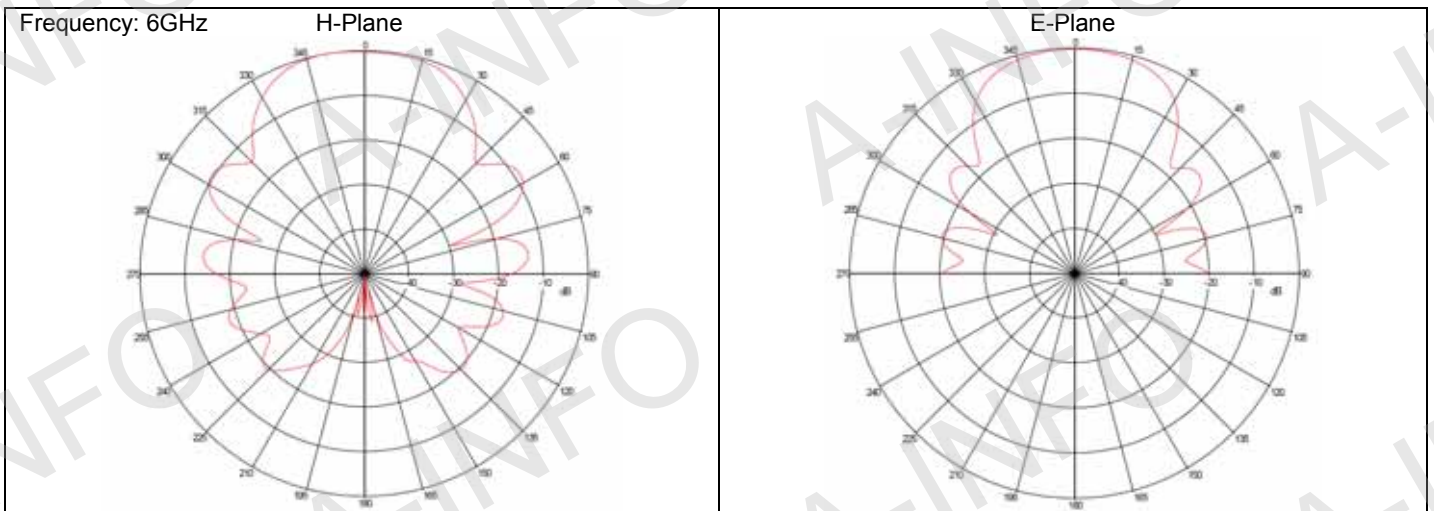
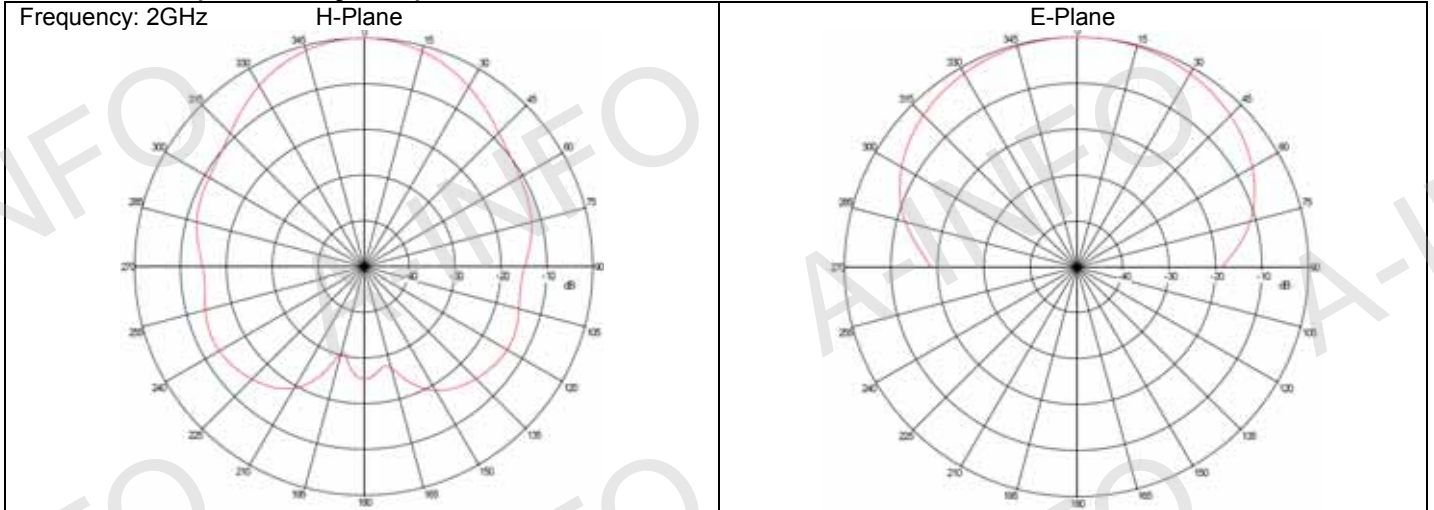
Pattern (Tested by A-INFO)



Open Boundary Quad-Ridged Horn Antenna 2.0~18.0GHz (continued)

P/N: LB-OSJ-20180

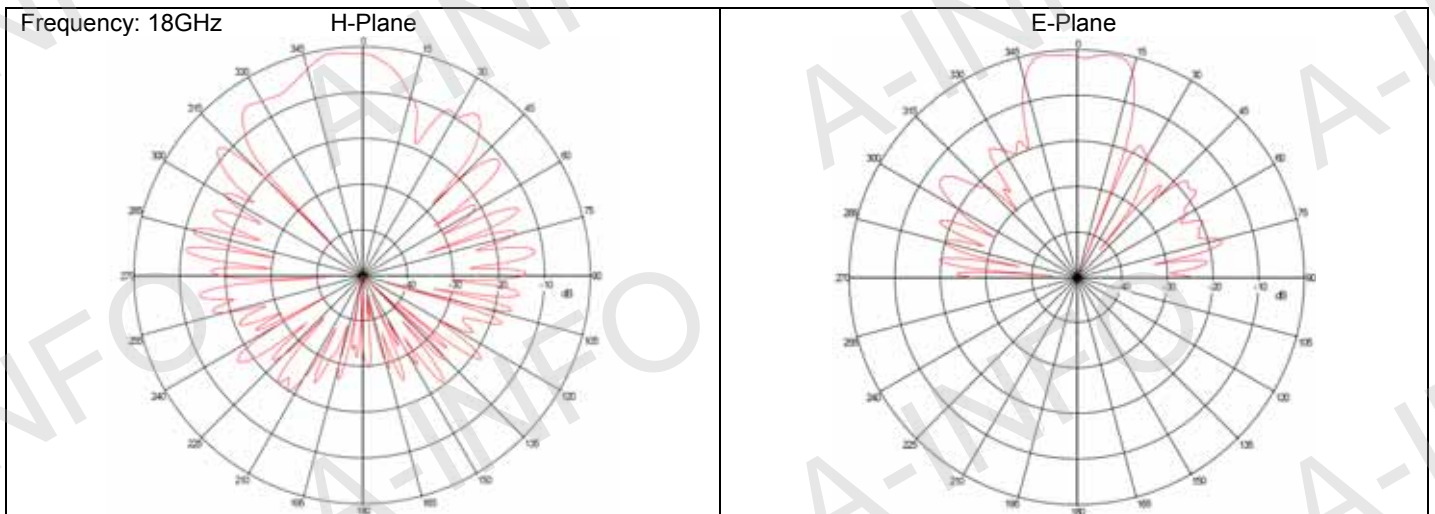
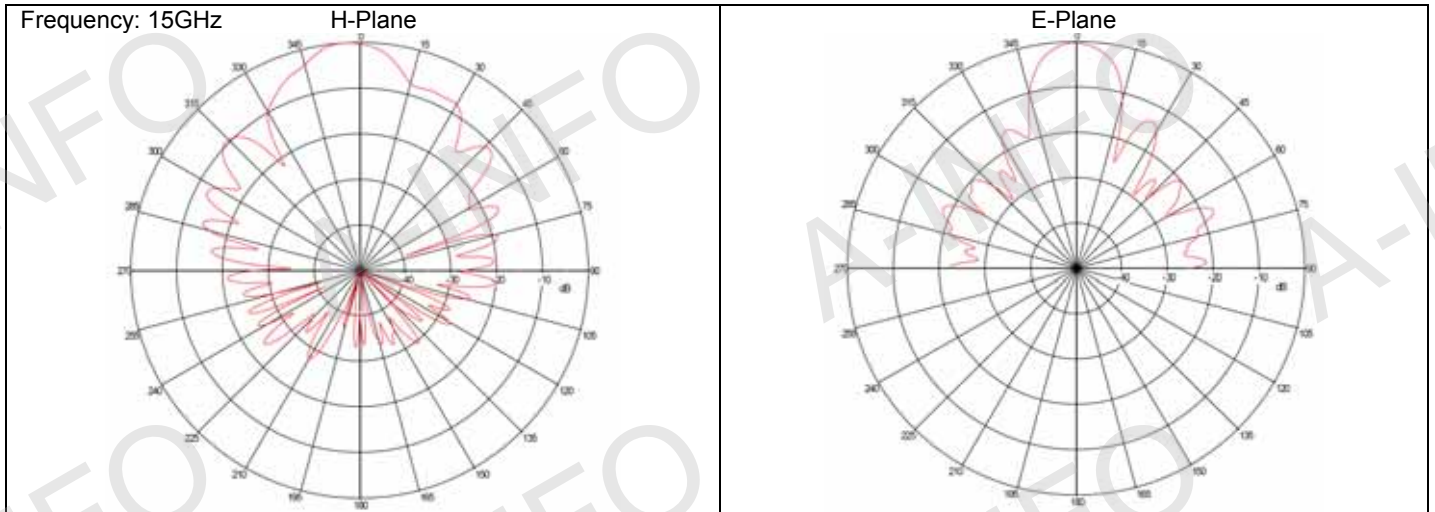
Pattern (Tested by NSI)



Open Boundary Quad-Ridged Horn Antenna 2.0~18.0GHz (continued)

P/N: LB-OSJ-20180

Pattern (Tested by NSI)



Options for Dual Polarization Horn Antenna



Option	Description
P01	Convert to LHCP
P02	Convert to RHCP
P03	Convert to Dual Circular
P04	Convert to Vertical, Horizontal, LHCP, RHCP Switchable

For detailed test data, pls. Log on www.ainfoinc.com – Antenna – Dual Pol. Horn Antenna and download.

Model	Freq. Range (GHz)	Pol.	Gain (dBic) Typ.	VSWR Max	Connector
LB-OSJ-0760-P04	0.7-6.0	V, H, LHCP, RHCP Switchable	2-12	2.5Typ.	SMA-F
LB-OSJ-07100-P04	0.7-10.0	V, H, LHCP, RHCP Switchable	2-12	2.5Typ.	SMA-F
LB-OSJ-20180-P03	2.0-18.0	Dual Circular	11.5	2.0	SMA-F
LB-SJ-20180-P03	2.0-18.0	Dual Circular	14.0	2.0	SMA-F
LB-SJ-60180-P01	6.0-18.0	LHCP	12	2.0	SMA-F
LB-SJ-60180-P02	6.0-18.0	RHCP	12	2.0	SMA-F
LB-SJ-60180-P03	6.0-18.0	Dual Circular	12	2.0	SMA-F
LB-SJ-60245-P01	6.0-24.5	LHCP	13	2.0	SMA-F
LB-SJ-60245-P02	6.0-24.5	RHCP	13	2.0	SMA-F
LB-SJ-60245-P03	6.0-24.5	Dual Circular	13	2.0	SMA-F
LB-SJ-180400-P01	18.0-40.0	LHCP	13.0	2.0	2.92mm-F
LB-SJ-180400-P02	18.0-40.0	RHCP	13.0	2.0	2.92mm-F
LB-SJ-180400-P03	18.0-40.0	Dual Circular	13.0	2.0	2.92mm-F

Dual Circular Polarization Horn Antenna

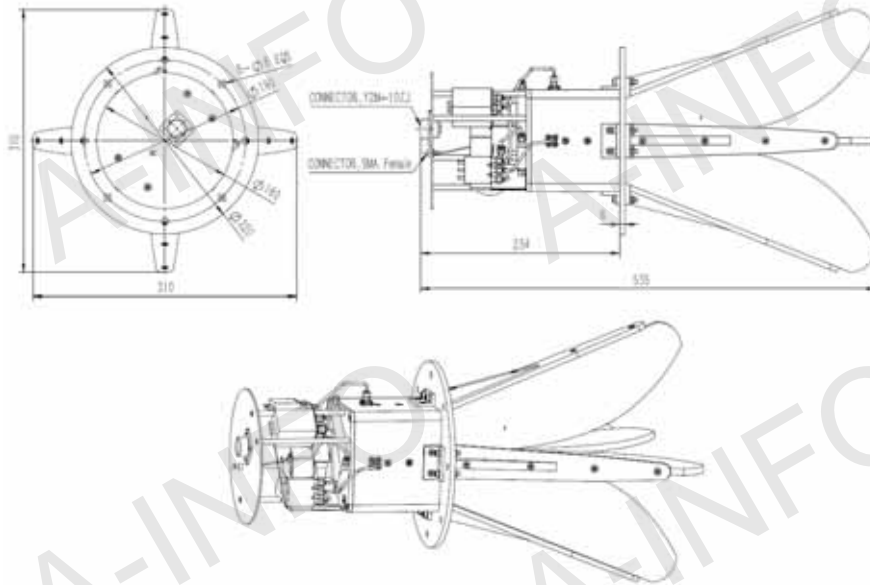
P/N: LB-OSJ-07100-P04



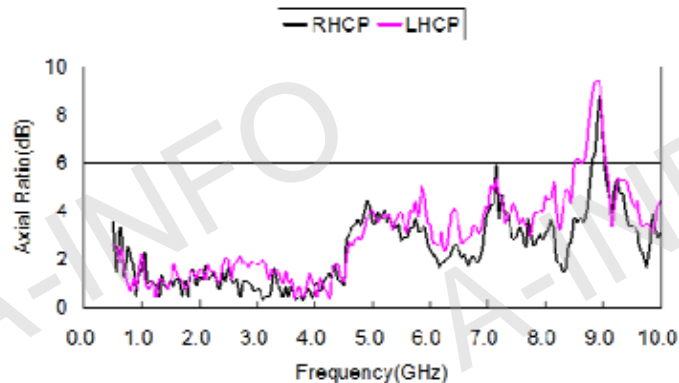
Technical Specification

Polarization	H,V, LHCP and RHCP Switchable
Frequency(GHz)	0.7 - 10.0
Gain	Linear: 2-14dB Typ. Circular: 2-12dBic Typ.
Axial Ratio(dB) (Circular)	4.0 Typ. 10.0 Max
VSWR	2.5 Typ.
Connector	SMA-Female
Power Handling	20W CW (Cold Switching)
Power Supply	12V DC
Control	TTL
Control Connector	Circular 10-Pin
Size(mm)	310 x 310 x 535
Net Weight(Kg)	5.85 Around

Outline Drawing (Size: mm)



Axial Ratio



Dual Circular Polarization Horn Antenna(continued)

P/N: LB-OSJ-07100-P04

Standard Configuration

1. Antenna
2. Control Cable, 5m, with Circular 10-Pin connector on each side.

Optional Accessories

1. Nonmetallic L type mounting bracket, for A-INFO tripod
2. Aluminum Tripod, 15Kg
3. Wooden Tripod, 15Kg

Control Description

1. Pin Description

Pin Number	Name	Description
1	NC	
2	+12V	+12V DC Supply input
3	GND	Ground
4	V	Polarization control :Vertical
5	H	Polarization control :Horizontal
6	C/L	Polarization control :Circular or Linear
7	R	Polarization control :RHCP
8	L	Polarization control :LHCP
9	NC	
10	NC	

2. Function Table

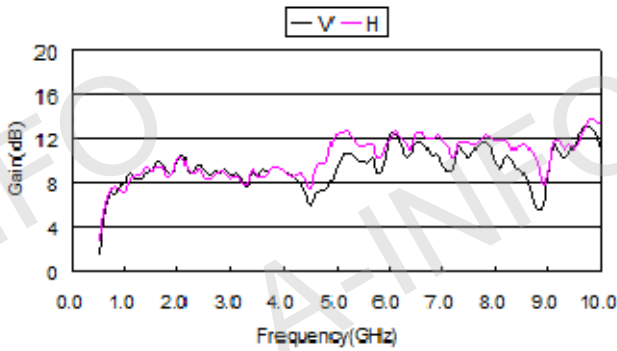
Pin Pol.	4	5	6	7	8
V	1*	0	0	0	0
H	0	1*	0	0	0
RHCP	0	0	1*	1	0
LHCP	0	0	1*	0	1

* TTL level should be keep at " 1 " (high level)

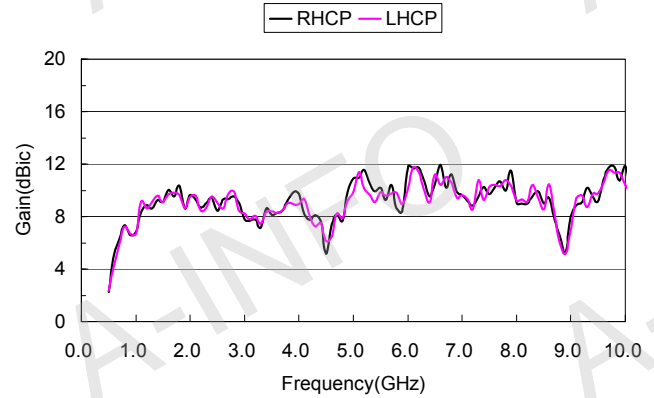
Dual Circular Polarization Horn Antenna(continued)

P/N: LB-OSJ-07100-P04

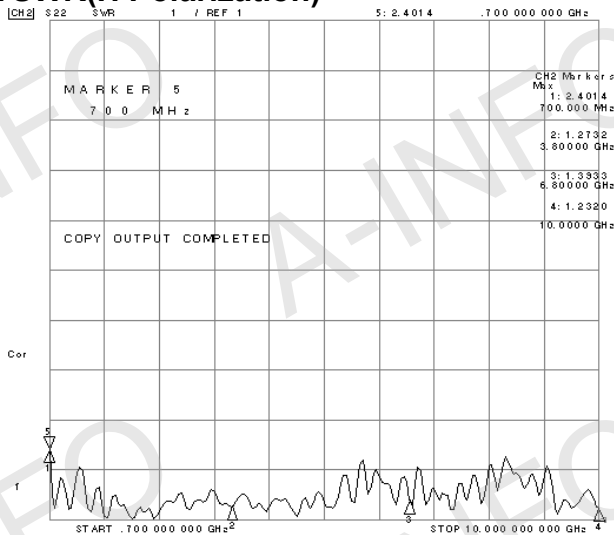
Gain(Linear)



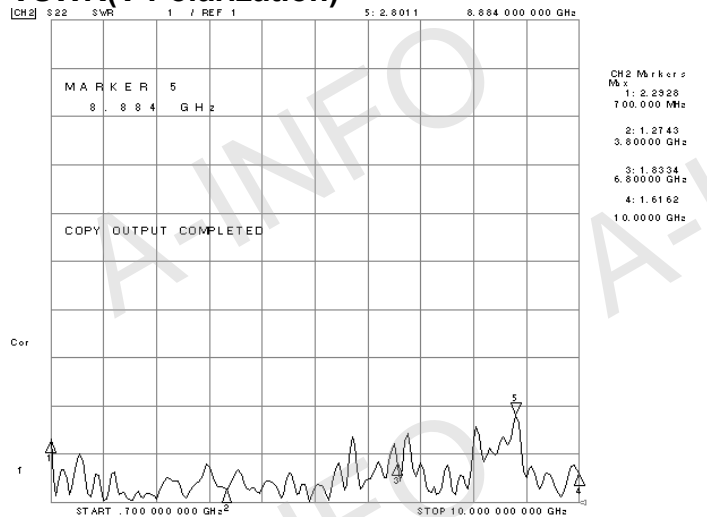
Gain(Circular)



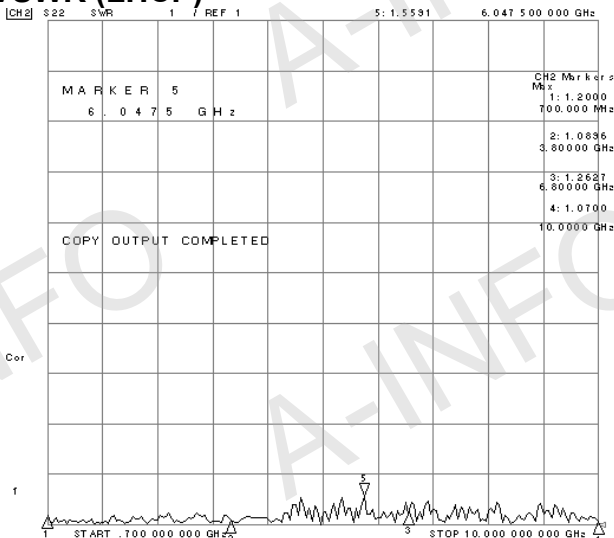
VSWR(H Polarization)



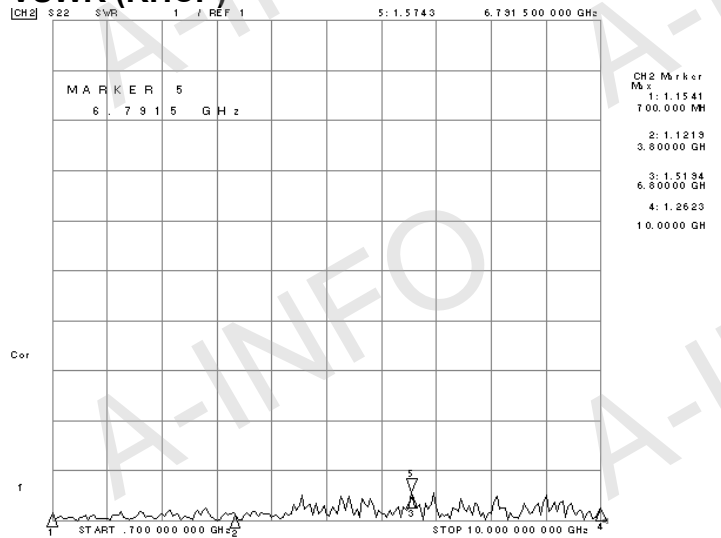
VSWR(V Polarization)



VSWR (LHCP)



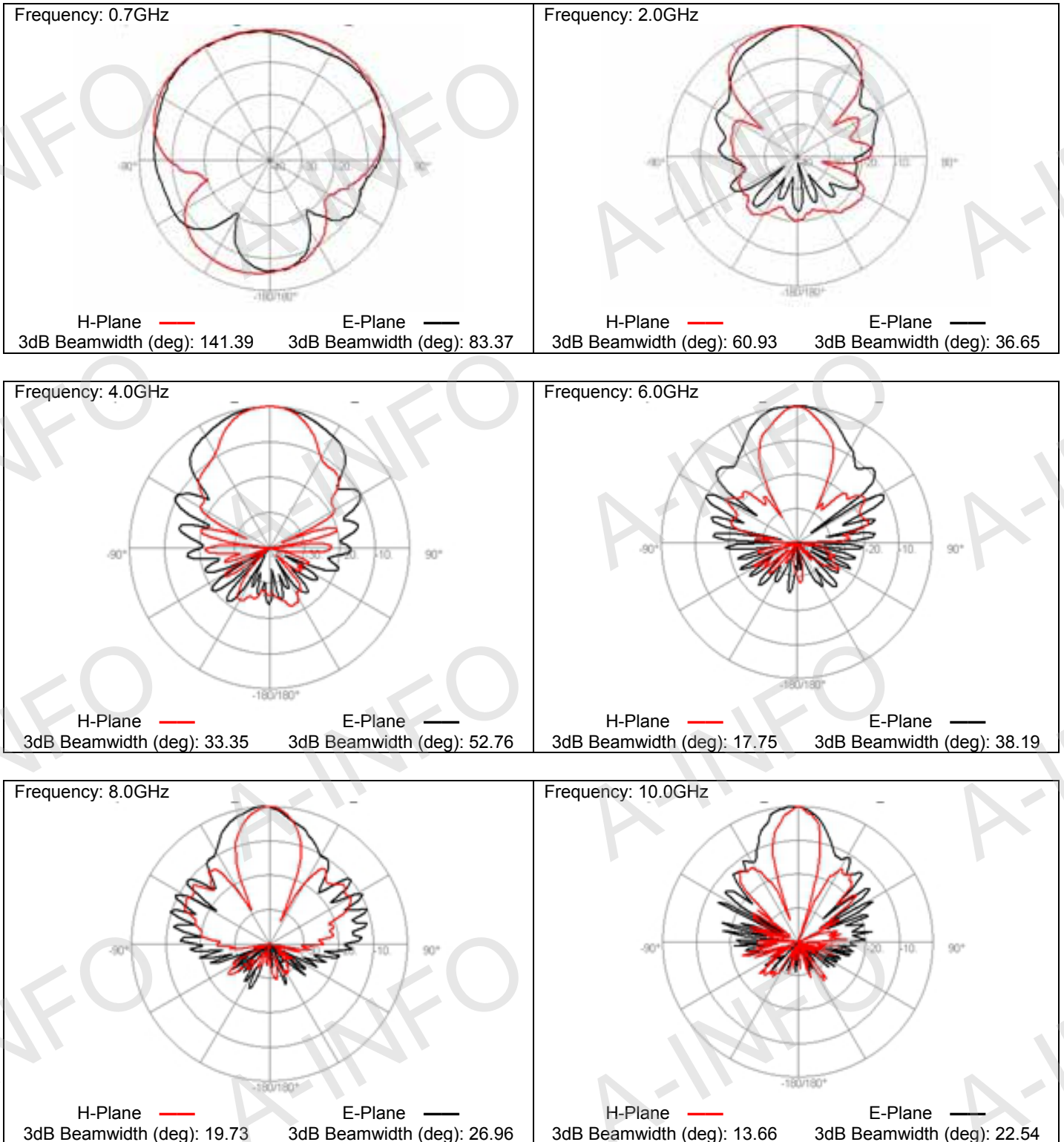
VSWR (RHCP)



Dual Circular Polarization Horn Antenna(continued)

P/N: LB-OSJ-07100-P04

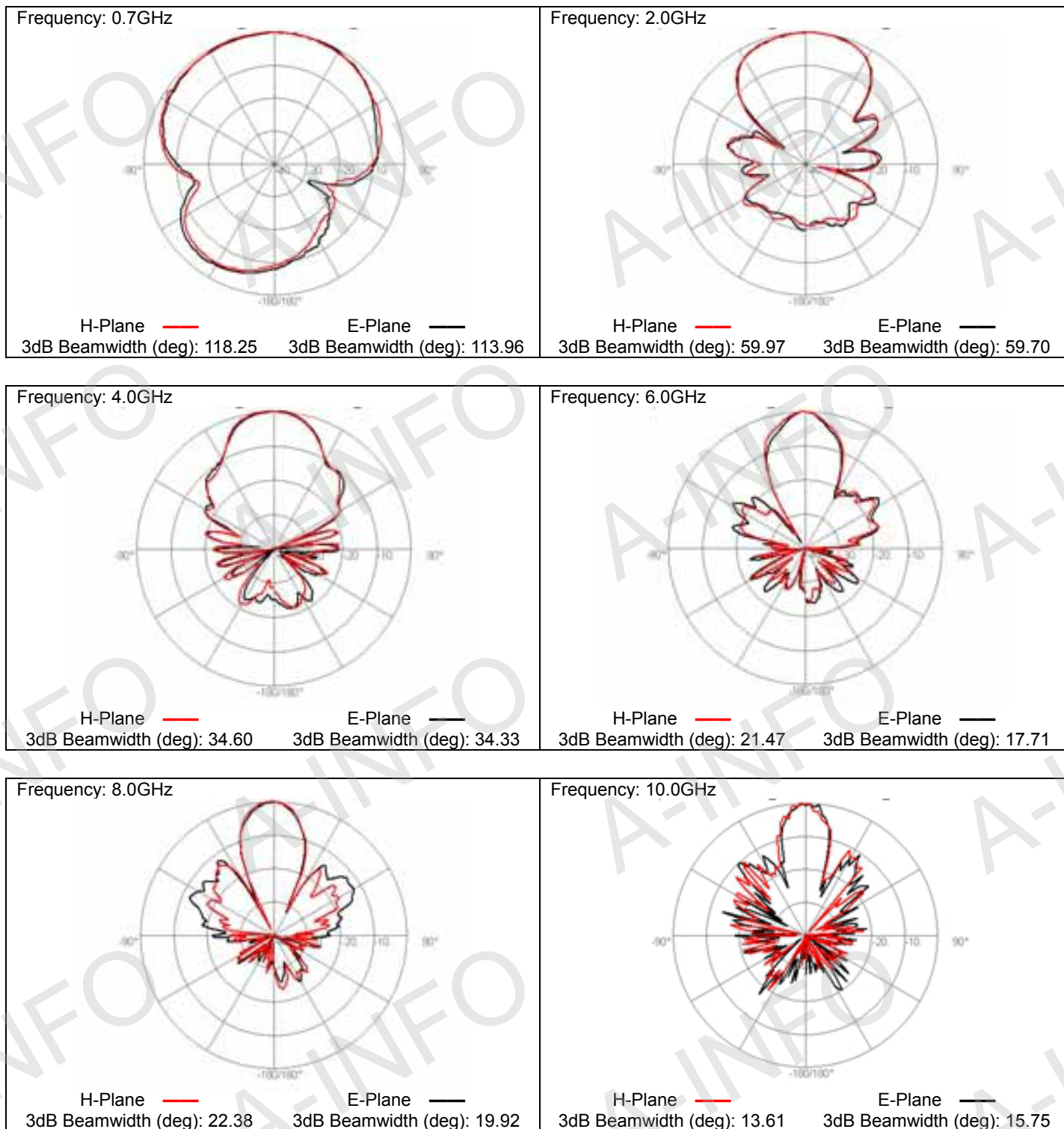
Pattern(Linear Polarization)



Dual Circular Polarization Horn Antenna(continued)

P/N: LB-OSJ-07100-P04

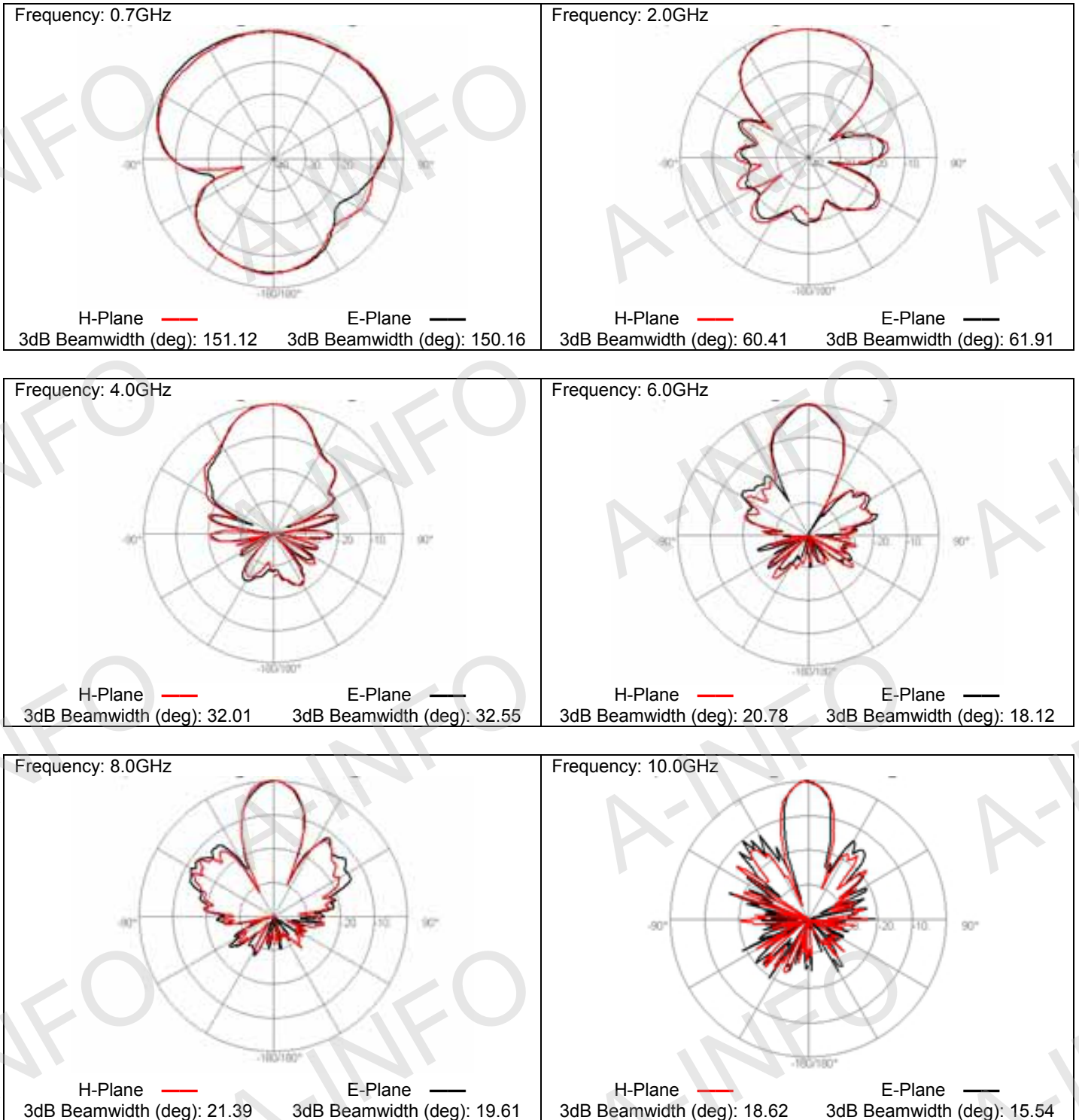
Pattern(LHCP)



Dual Circular Polarization Horn Antenna(continued)

P/N: LB-OSJ-07100-P04

Pattern(RHCP)



Dual Circular Polarization Horn Antenna

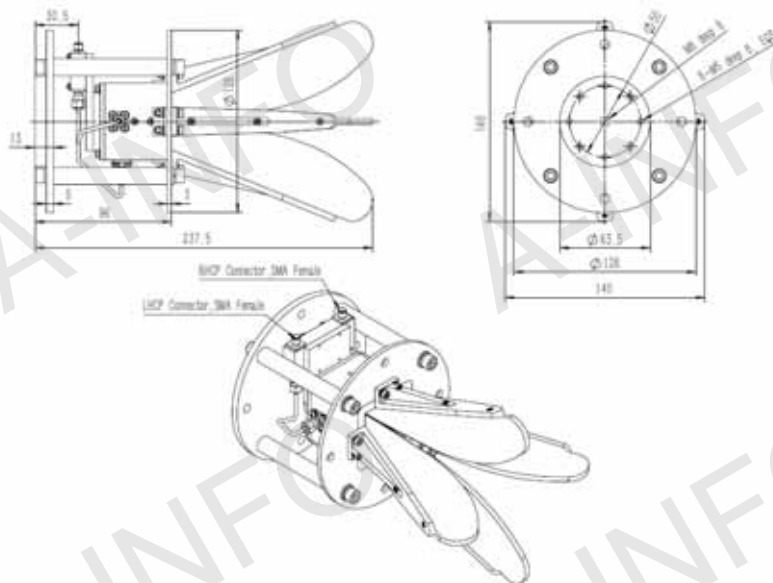
P/N: LB-OSJ-20180-P03



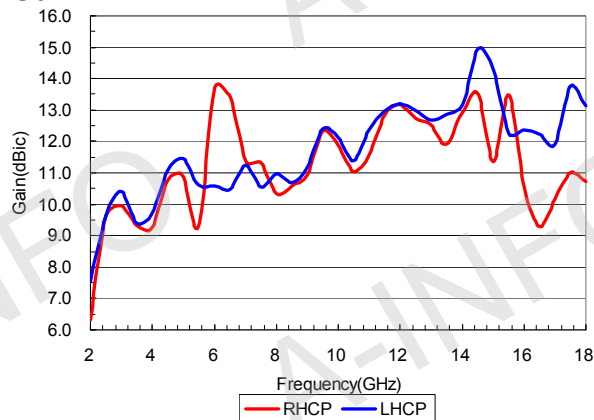
Technical Specification

Frequency(GHz)	2.0-18.0
Gain(dBic)	11.5 Typ.
Polarization	Dual Circular
VSWR	2.0:1 Max
Axial Ratio(dB)	4.0 Typ. 9.0 Max
3dB Beamwidth(deg)	14-90
Port to Port Isolation(dB)	10 Typ.
Connector	SMA-Female
Power Handling(W)	20 Max. CW
Size(mm)	140 x 140 x 237.5
Net Weight(Kg)	1.1 Around

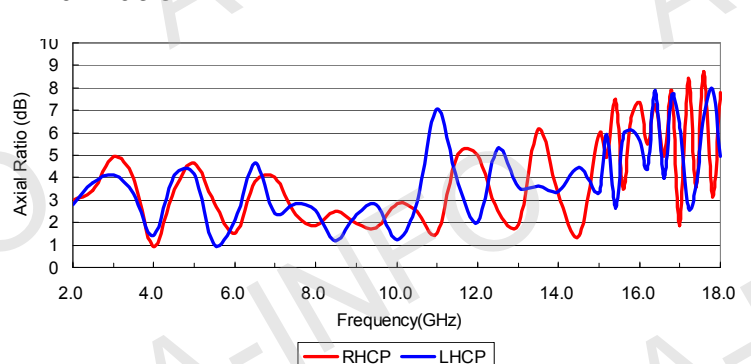
Outline Drawing (Size: mm)



Gain

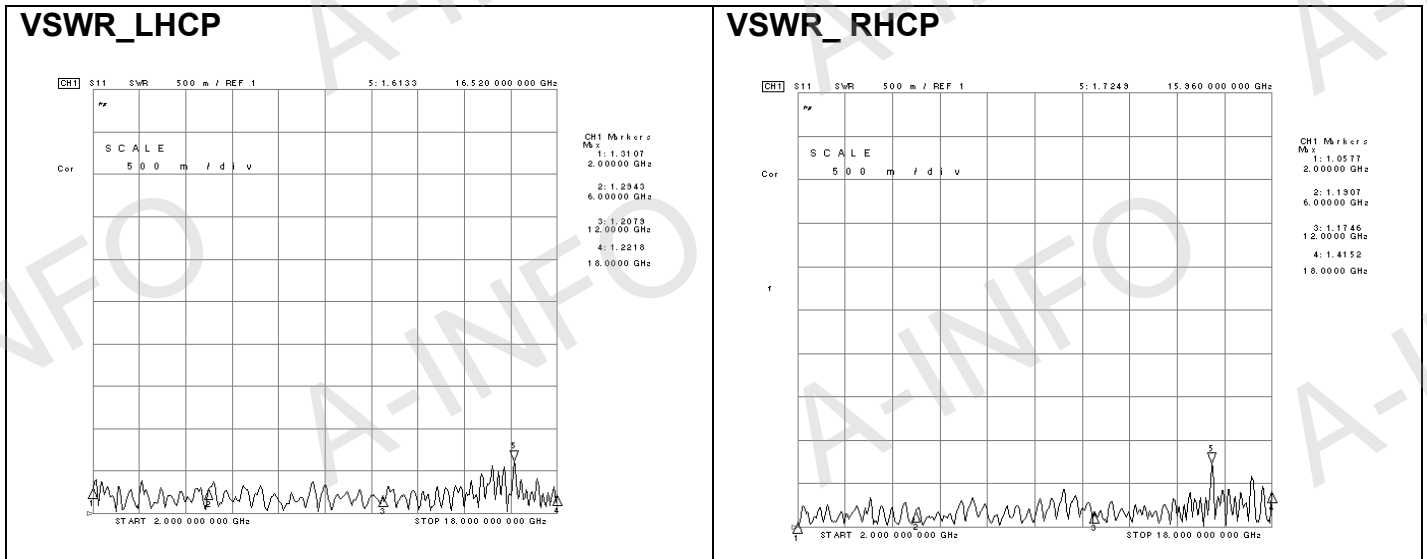


Axial Ratio

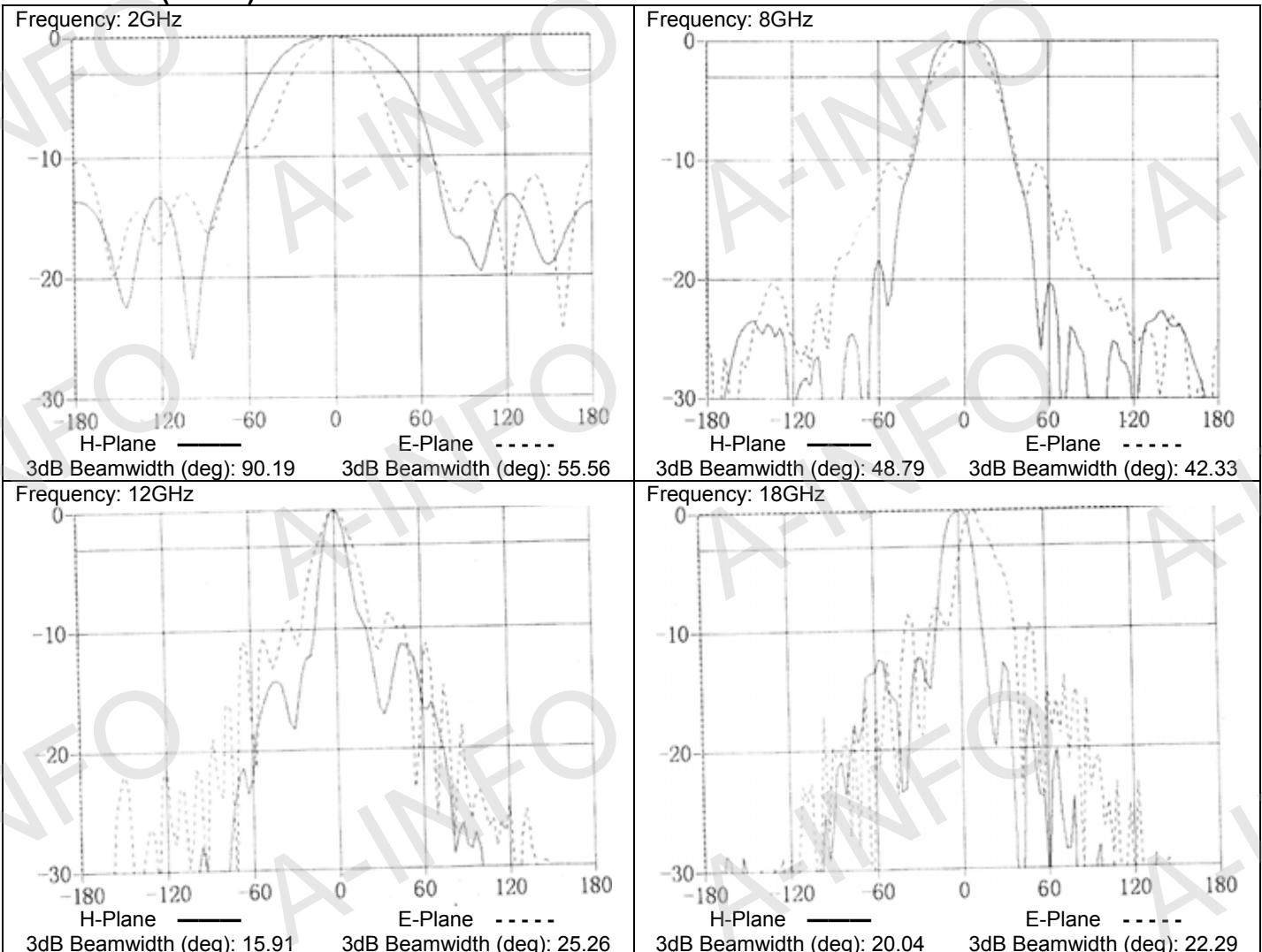


Dual Circular Polarization Horn Antenna(continued)

P/N: LB-OSJ-20180-P03



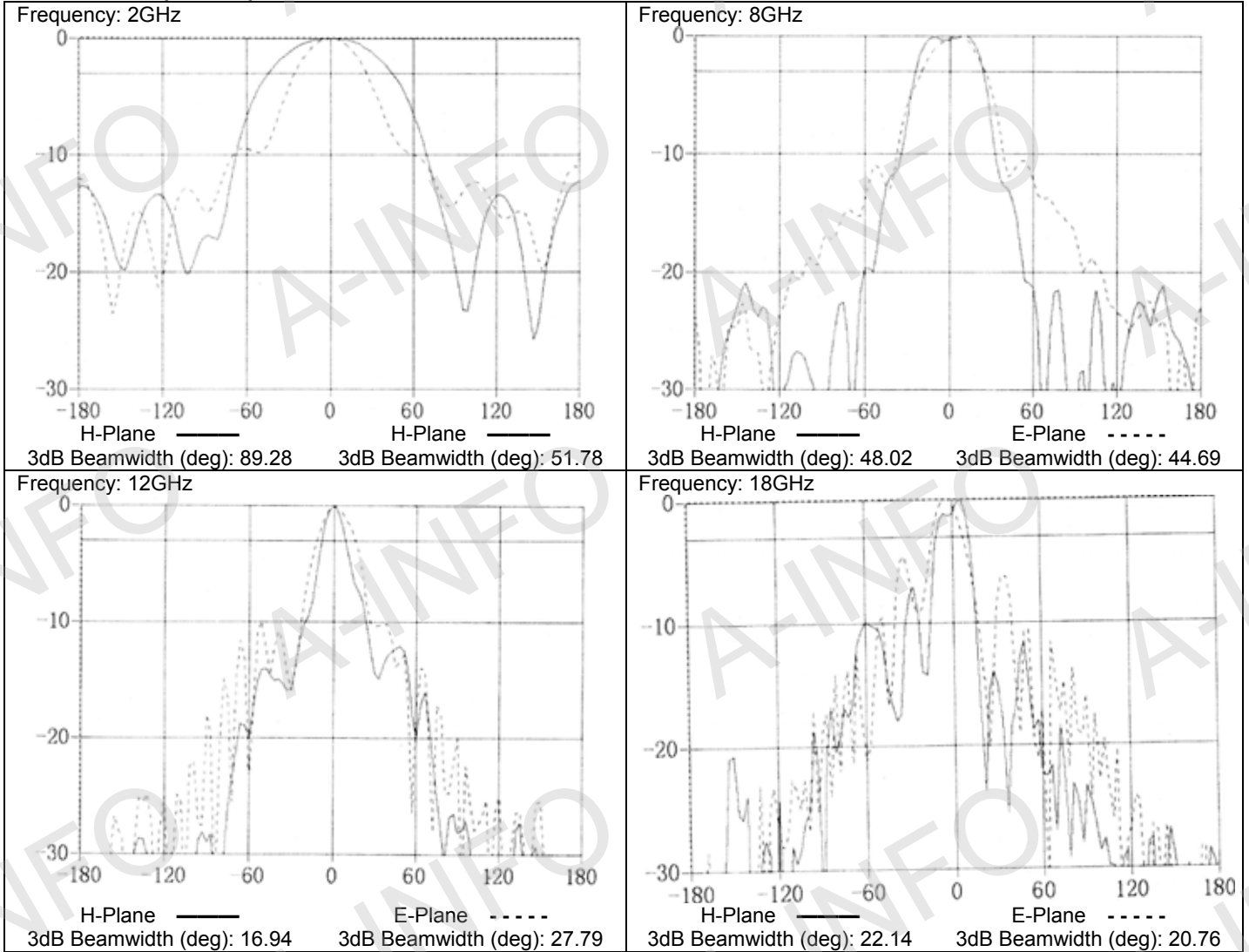
Pattern(LHCP)



Dual Circular Polarization Horn Antenna(continued)

P/N: LB-OSJ-20180-P03

Pattern(RHCP)



Dual Circular Polarization Horn Antenna

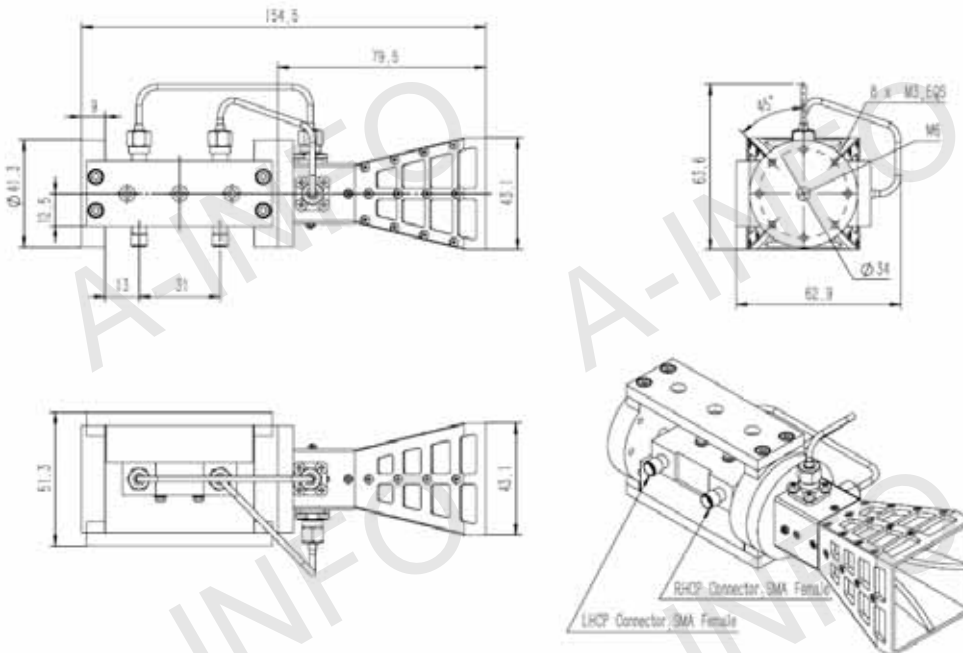
P/N: LB-SJ-60180-P03



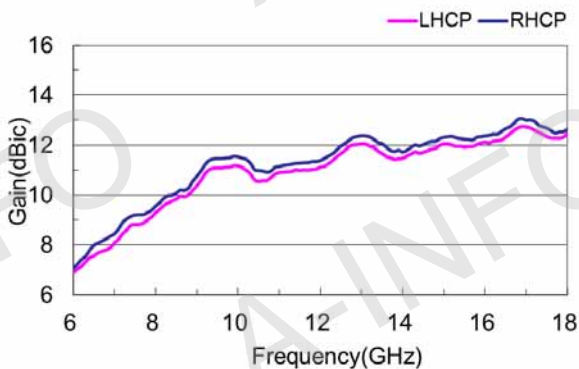
Technical Specification

Frequency(GHz)	6.0-18.0
Gain(dBic)	12 Typ.
Polarization	Dual Circular
VSWR	2.0 Max.
Axial Ratio(dB)	2.0 Typ. 4.0 Max.
3dB Beamwidth(deg)	75-29
Port to Port Isolation(dB)	15 Typ.
Connector	SMA-Female
Power Handling(W)	20 Max. CW
Size(mm)	62.9 x 63.6 x 154.5
Net Weight(Kg)	1.5 Around

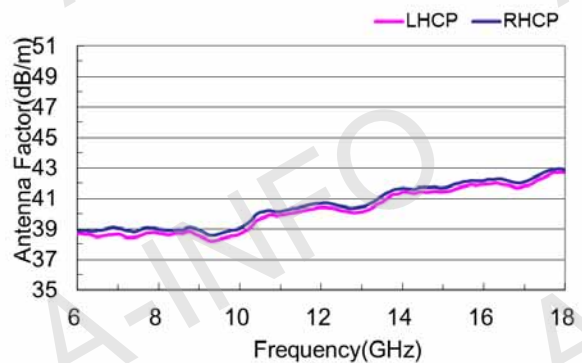
Outline Drawing (Size: mm)



Gain



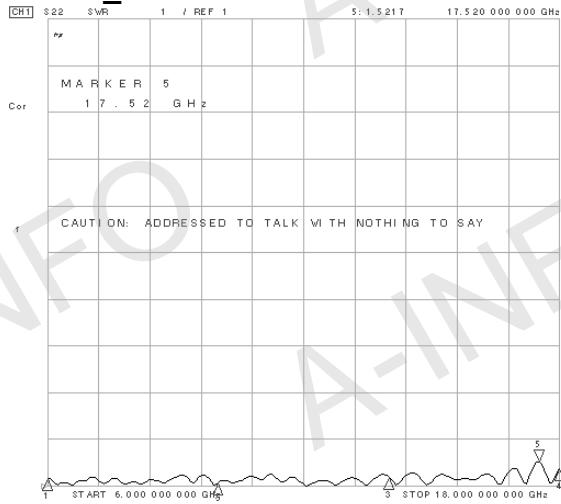
Antenna Factor



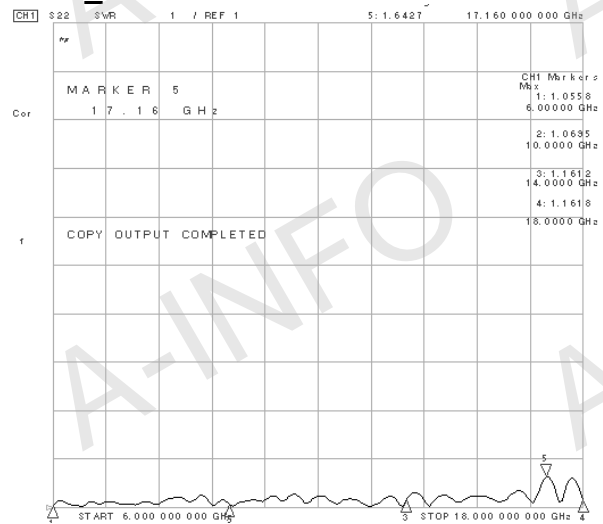
Dual Circular Polarization Horn Antenna(continued)

P/N: LB-SJ-60180-P03

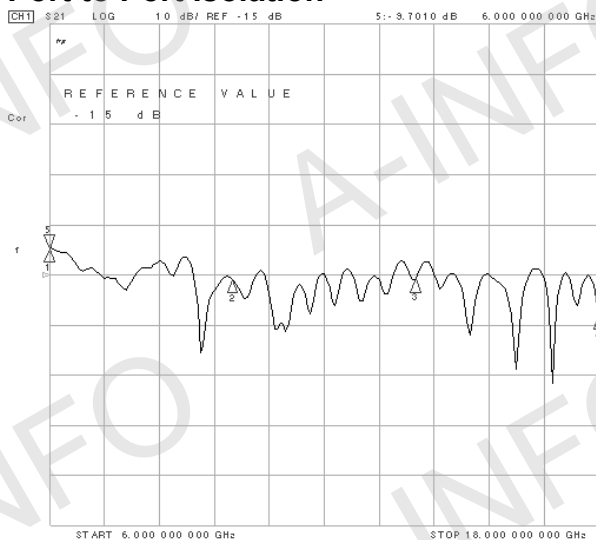
VSWR_LHCP



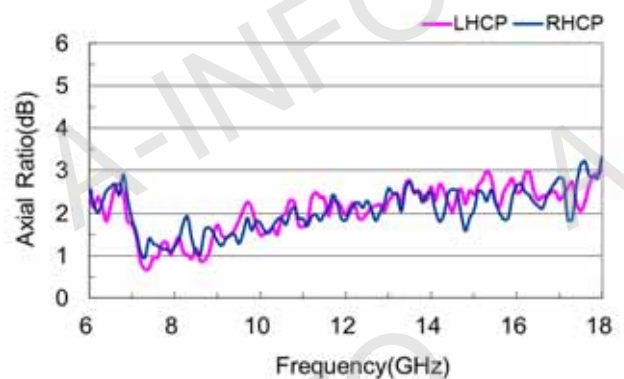
VSWR_RHCP



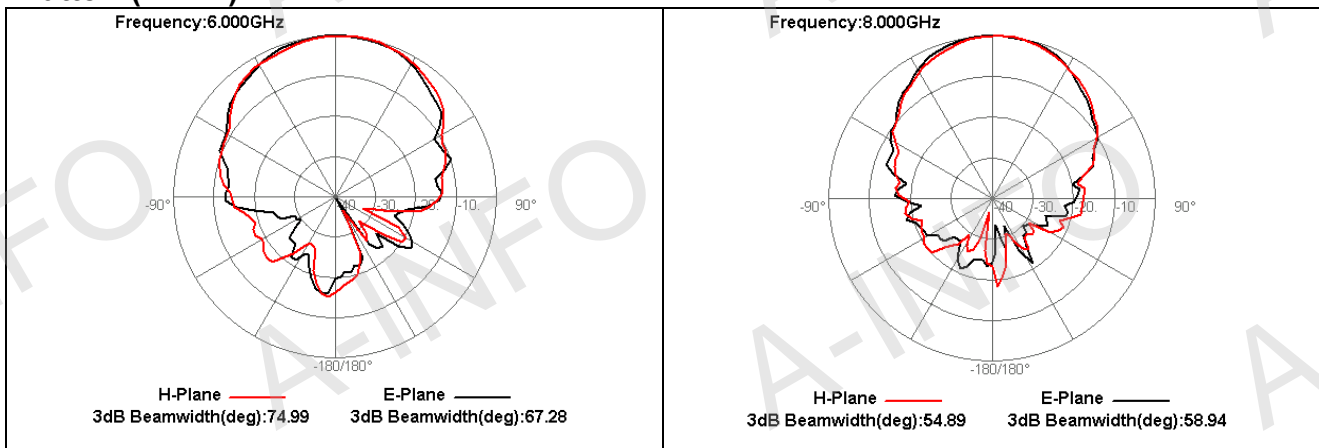
Port to Port Isolation



Axial Ratio



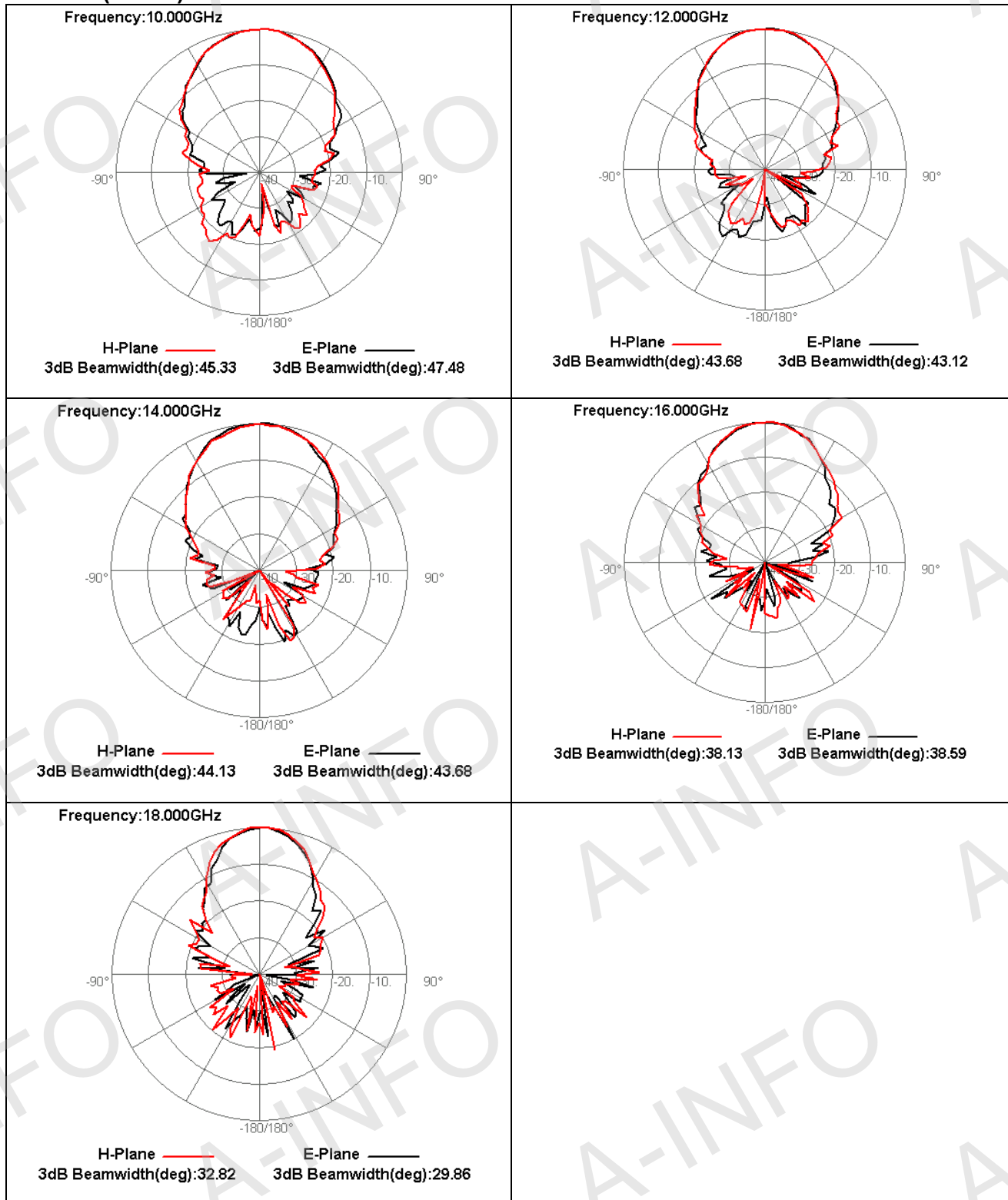
Pattern(LHCP)



Dual Circular Polarization Horn Antenna(continued)

P/N: LB-SJ-60180-P03

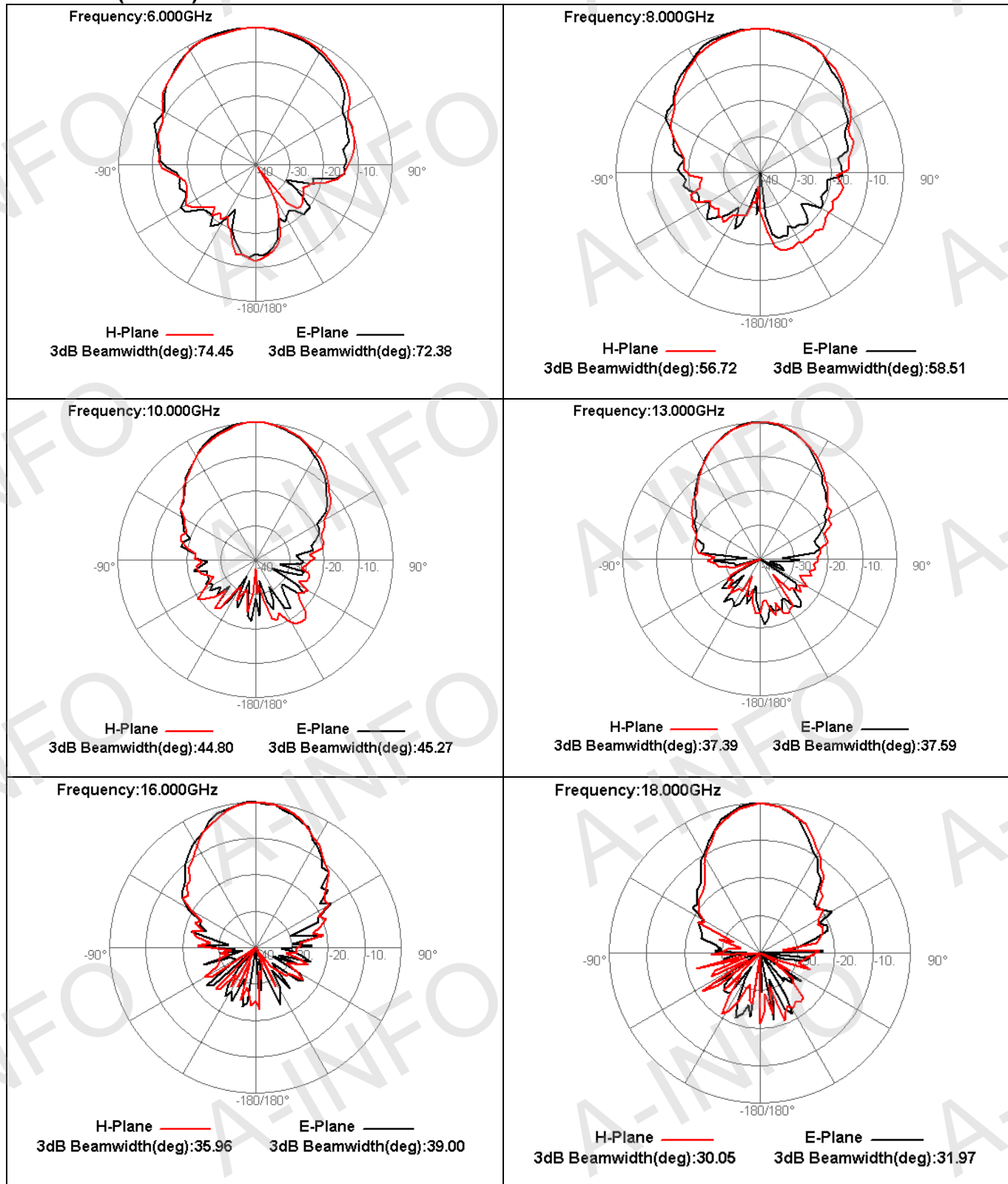
Pattern(LHCP)



Dual Circular Polarization Horn Antenna(continued)

P/N: LB-SJ-60180-P03

Pattern(RHCP)



Dual Circular Polarization Horn Antenna

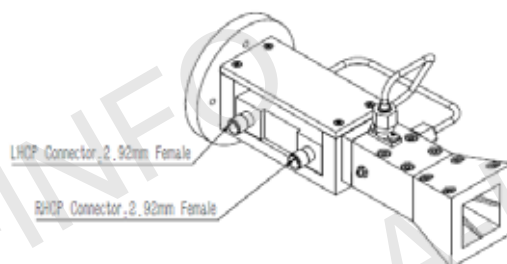
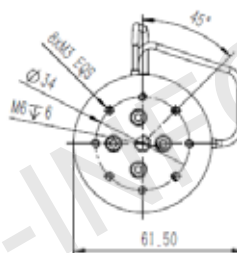
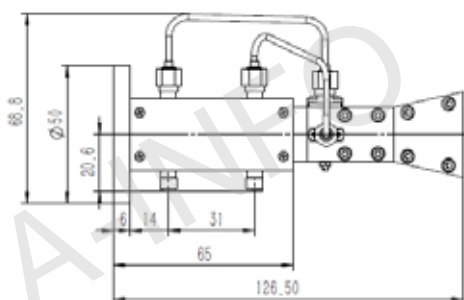
P/N: LB-SJ-180400-P03



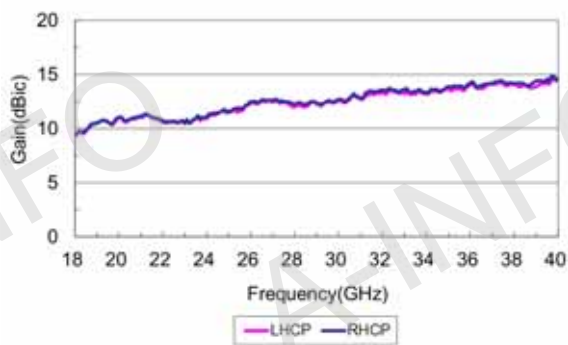
Technical Specification

Frequency(GHz)	18-40
Gain(dBic)	13 Typ.
Polarization	Dual Circular
VSWR	2.0 Max.
Axial Ratio(dB)	1.5 Typ. 3.0 Max.
3dB Beamwidth(deg)	53-26
Port to Port Isolation(dB)	15 Typ.
Connector	2.92mm-Female
Size(mm)	127x116x158
Net Weight(Kg)	0.38 Around

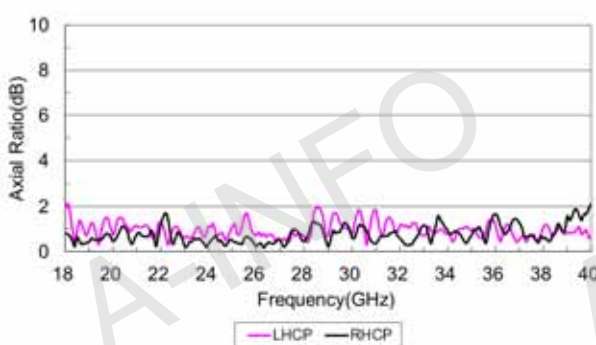
Outline Drawing (Size: mm)



Gain



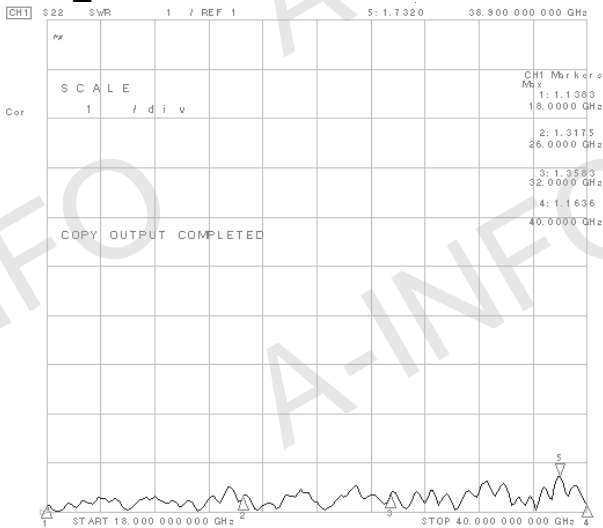
Axial Ratio



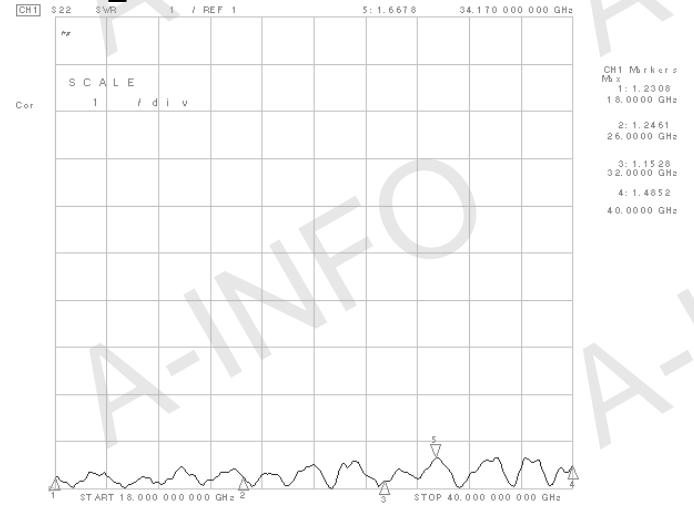
Dual Circular Polarization Horn Antenna(continued)

P/N: LB-SJ-180400-P03

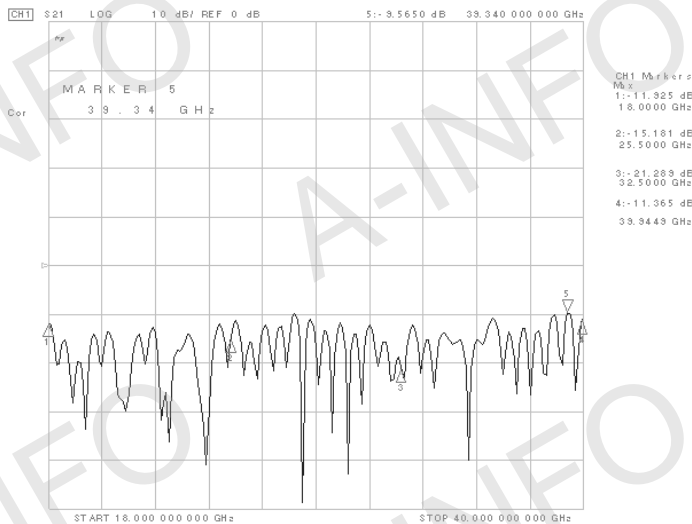
VSWR_LHCP



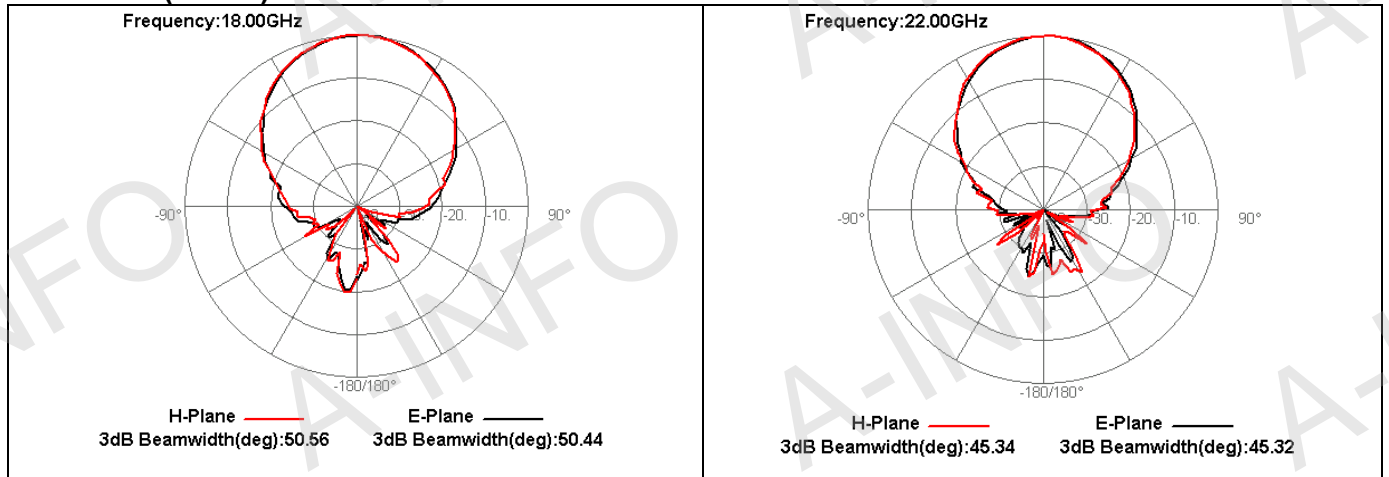
VSWSR_RHCP



Port to Port Isolation



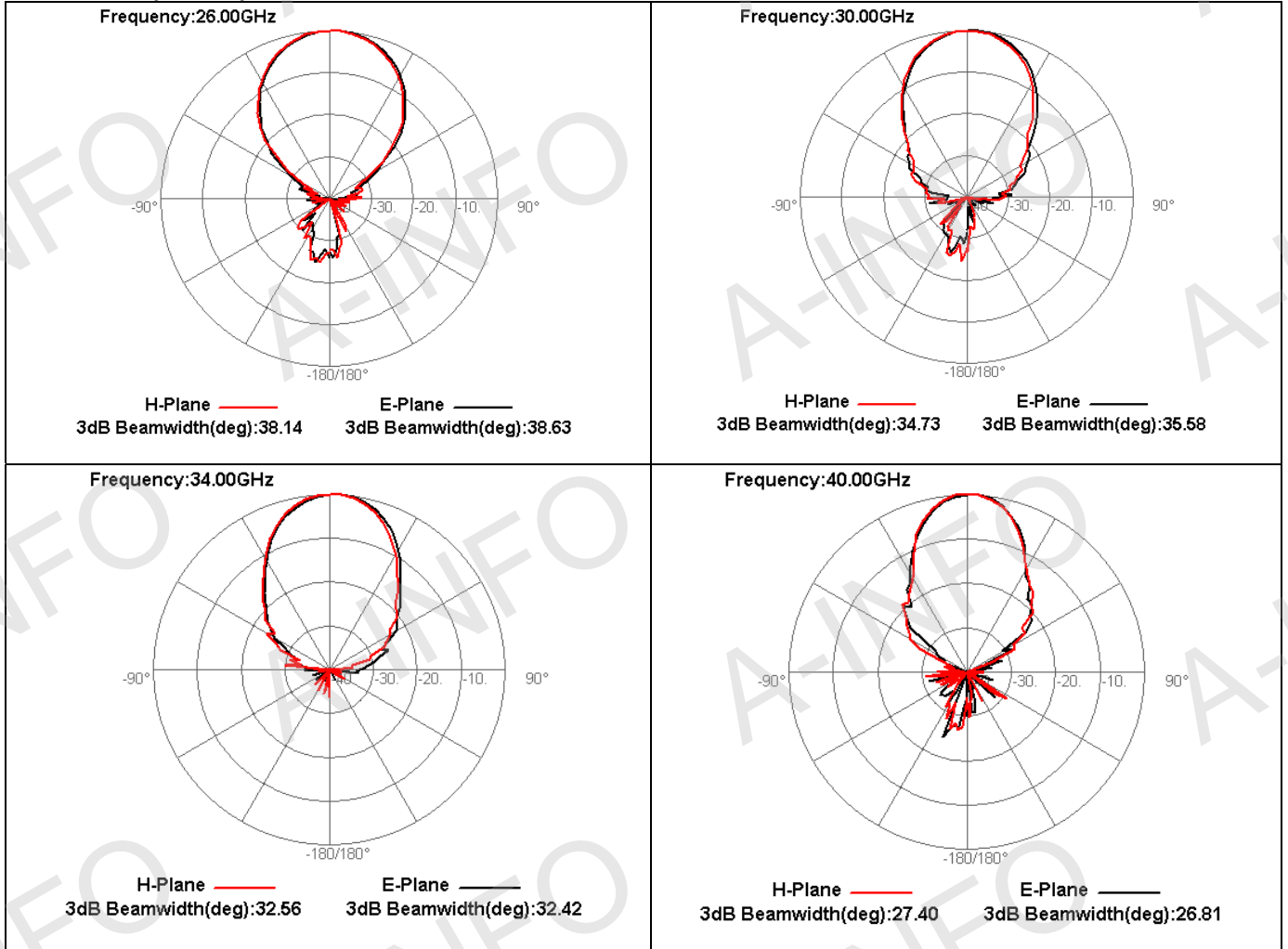
Pattern(LHCP)



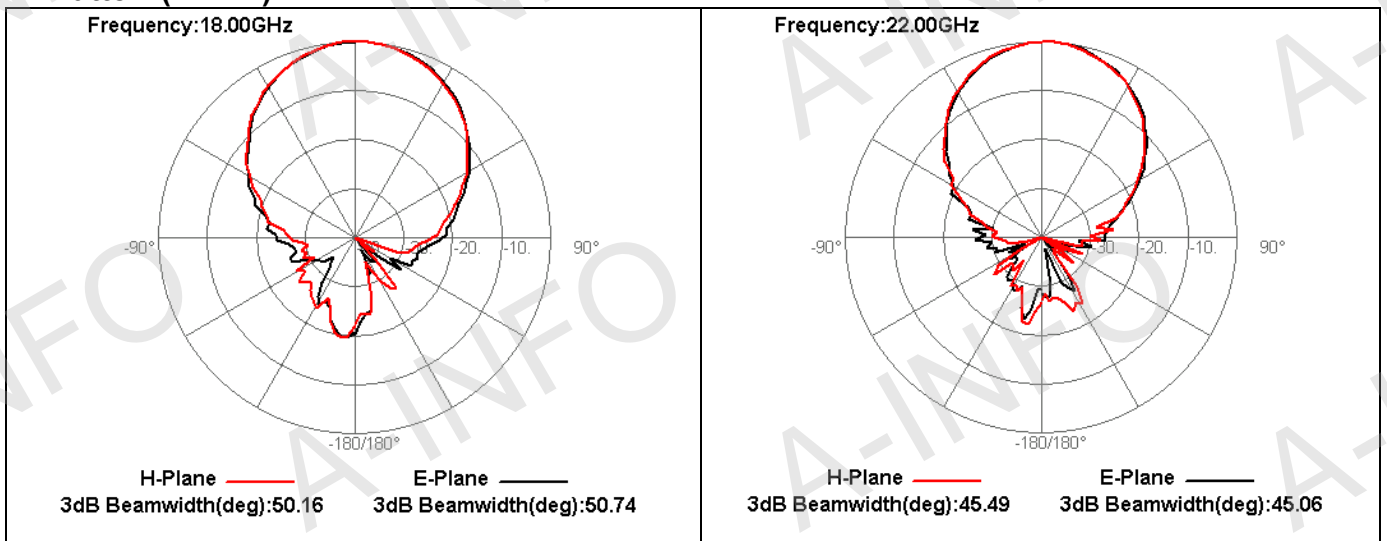
Dual Circular Polarization Horn Antenna(continued)

P/N: LB-SJ-180400-P03

Pattern(LHCP)



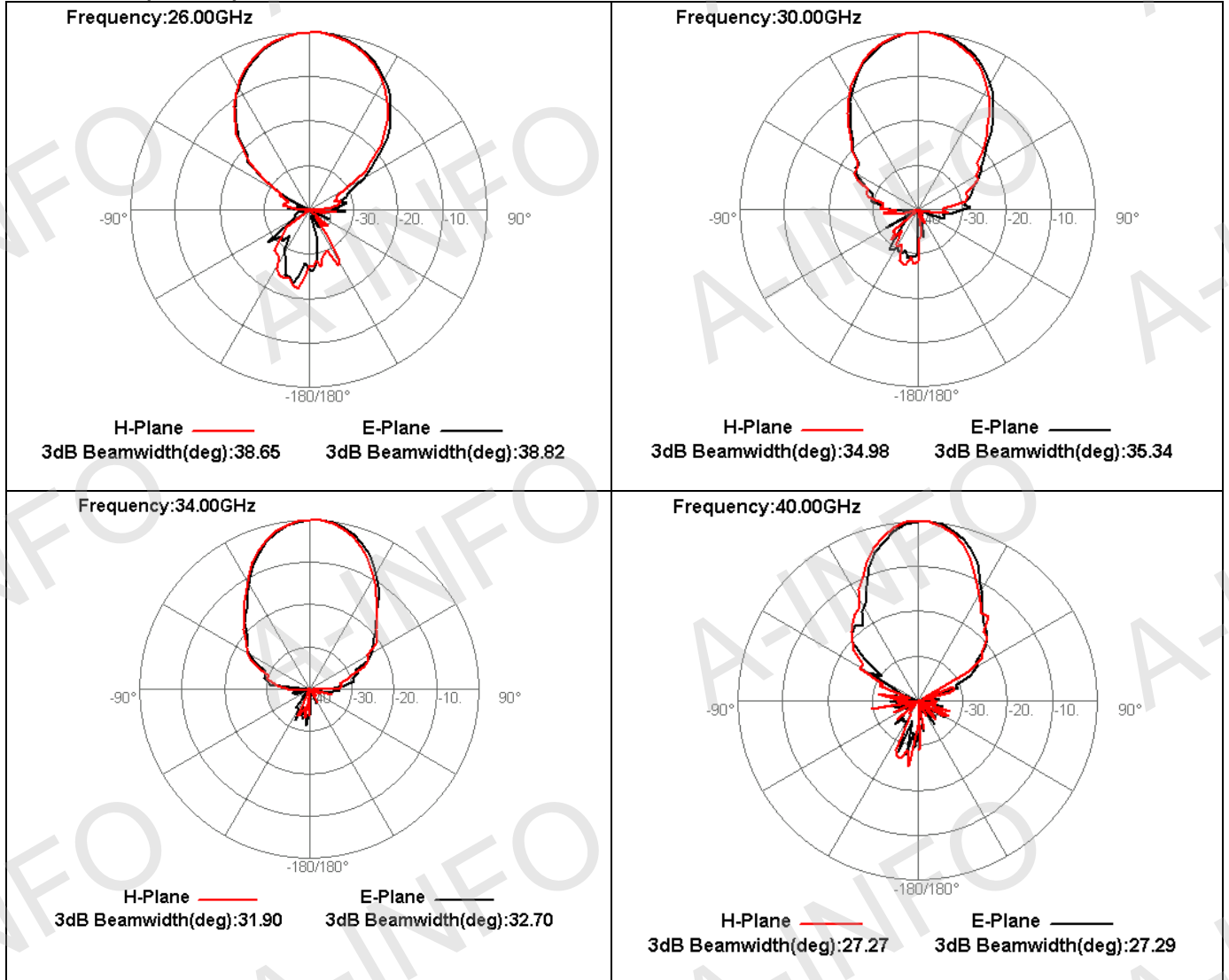
Pattern(RHCP)



Dual Circular Polarization Horn Antenna(continued)

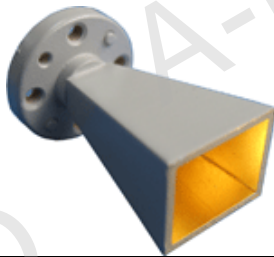
P/N: LB-SJ-180400-P03

Pattern(RHCP)

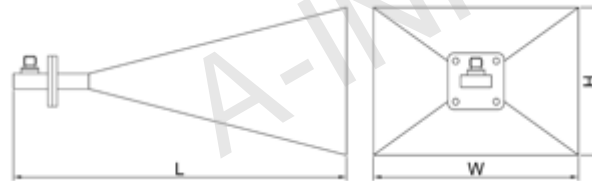


Standard Gain Horn Antenna

A Type:



C Type:



The LB series standard gain horn antennas are linearly polarized and provide an efficient low cost means of making measurements. A-INFO's standard gain horn antenna can cover from 320MHz to 220GHz frequency range. These horns are ideally suited for EMI testing, direction finding, surveillance, antenna gain and Pattern measurements and other applications.

Model Information	
Example Part Number:	LB -90 -10 -C -SF
Product Code	
Waveguide Size: WR2300 to WR5	
Gain in dB, Standard gain is 10dB, 15dB, 20dB, 25dB	
Figure Type:	
-A: Waveguide Output	
-C: Coaxial Output. Connector type below needs to be specified	
Figure C Connector Type Option:	
7/16F=7/16 DIN Female;	
NF=N Type-Female; NM=N Type-Male;	
SF=SMA-Female; SM=SMA-Male;	
3.5F=3.5mm-Female; 3.5M=3.5mm-Male;	
KF=2.92mm-Female; KM=2.92mm-Male;	
2.4F=2.4mm-Female; 2.4M=2.4mm-Male;	
1.85F=1.85mm-Female; 1.85M=1.85mm-Male	

Calibration Option

Far Field Calibration Data with Extra Fee

Horn Antenna Accessories

1. Mounting Bracket
2. Tripod
3. Radome
4. Carrying Case

For detailed test data, pls. Log on www.ainfoinc.com – Antenna – Standard Gain & Octave Horn and download.

Model	Frequency (GHz)	Waveguide	Gain (dB)	Figure	Output	Size (mm)			Material
						W	H	L	
LB-2300-10-A	0.32-0.49	BJ3 (WR2300)	10	A	FDP3	1068	770	970	Al
LB-2300-10-C-XX				C	NF	1068	770	1502	
LB-2100-10-A	0.35-0.53	BJ4 (WR2100)	10	A	FDP4	975	704	948	Al
LB-2100-10-C-XX				C	NF	975	704	1434	
LB-1800-10-A	0.41-0.62	BJ5 (WR1800)	10	A	FDP5	837	604	812	Al
LB-1800-10-C-XX				C	NF	837	604	1229	
LB-1500-10-A	0.49-0.75	BJ6(WR1500)	10	A	FDP6	698	504	678	Al
LB-1500-10-C-XX				C	NF	698	504	1025	

Model	Frequency (GHz)	Waveguide	Gain (dB)	Figure	Output	Size (mm)			Material
						W	H	L	
LB-1150-10-A	0.64-0.96	BJ8 (WR1150)	15	A	FDP8	536	388	520	Al
LB-1150-10-C-XX				NF	536	388	788		
LB-975-10-A	0.75-1.12	BJ9 (WR975)	10	A	FDP9	454	328	440	Al
LB-975-10-C-XX				NF / SF	454	328	671		
LB-975-15-A			15	A	FDP9	834	619	619	Al
LB-975-15-C-XX				NF / SF	834	619	850		
LB-770-10-A	0.96-1.45	BJ12 (WR770)	10	A	FDP12	384	284	360	Al
LB-770-10-C-XX				NF / SF	384	284	526		
LB-770-15-A			15	A	FDP12	681	506	650	Al
LB-770-15-C-XX				NF / SF	661	491	818		
LB-650-10-A	1.12-1.70	BJ14 (WR650)	10	A	FDP14	315	235	278	Al
LB-650-10-C-XX				NF / SF	315	235	428		
LB-650-15-A			15	A	FDP14	563	423	410	Al
LB-650-15-C-XX				NF / SF	563	423	560		
LB-650-20-A			20	A	FDP14	1525	919	779	Al
LB-650-20-C-XX				NF / SF	1675	919	779		
LB-510-10-A	1.45-2.20	BJ18 (WR510)	10	A	FDP18	249	184	425	Al
LB-510-10-C-XX				NF / SF	249	184	536		
LB-510-15-A			15	A	FDP18	441	327	400	Al
LB-510-15-C-XX				NF / SF	441	327	511		
LB-430-10-A	1.70-2.60	BJ22(WR430)	10	A	FDP22	209	154	345	Al
LB-430-10-C-XX				NF / SF	209	154	445		
LB-430-15-A			15	A	FDP22	374	278	300	Al
LB-430-15-C-XX				NF / SF	374	278	400		
LB-430-20-A			20	A	FDP22	613	517	1095	Al
LB-430-20-C-XX				NF / SF	613	517	1195		
LB-340-10-A	2.20-3.30	BJ26 (WR340)	10	A	FDP26	163	123	270	Al
LB-340-10-C-XX				NF / SF	163	123	362		
LB-340-15-A			15	A	FDP26	309	238	294	Al
LB-340-15-C-XX				NF / SF	309	238	386		
LB-340-20-A			20	A	FDP26	485	410	870	Al
LB-340-20-C-XX				NF / SF	485	410	962		
LB-284-10-A	2.60-3.95	BJ32 (WR284)	10	A	FDP32	143	103	230	Al
LB-284-10-C-XX				NF / SF	143	103	309		
LB-284-15-A			15	A	FDP32	224	169	270	Al
LB-284-15-C-XX				NF / SF	224	169	349		
LB-284-20-A			20	A	FDP32	405	325	550	Al
LB-284-20-C-XX				NF / SF	405	325	629		
LB-229-10-A	3.30-4.90	BJ40 (WR229)	10	A	FDP40	113	79	160	Al
LB-229-10-C-XX				NF / SF	113	79	225		
LB-229-15-A			15	A	FDP40	211	148	260	Al
LB-229-15-C-XX				NF / SF	211	148	325		

Model	Frequency (GHz)	Waveguide	Gain (dB)	Figure	Output	Size (mm)			Material
						W	H	L	
LB-229-20-A	3.30-4.90	BJ40 (WR229)	20	A	FDP40	345	264	388	Al
LB-229-20-C-XX				NF / SF	345	264	453		
LB-187-10-A	3.95-5.85	BJ48 (WR187)	10	A	FDP48	93	69	190	Al
LB-187-10-C-XX				NF / SF	93	69	244		
LB-187-15-A			15	A	FDP48	168	118	210	Al
LB-187-15-C-XX				NF / SF	168	118	264		
LB-187-20-A			20	A	FDP48	274	212	350	Al
LB-187-20-C-XX				NF / SF	274	212	404		
LB-187-25-A			25	A	FDP48	600	560	1696	Al
LB-187-25-C-XX				NF / SF	600	560	1750		
LB-159-10-A	4.90-7.05	BJ58 (WR159)	10	A	FDP58	72	54.5	125	Al
LB-159-10-C-XX				NF / SF	72	54.5	175		
LB-159-15-A			15	A	FDP58	138	103	180	Al
LB-159-15-C-XX				NF / SF	138	103	230		
LB-159-20-A			20	A	FDP58	225	173	265	Al
LB-159-20-C-XX				NF / SF	225	173	315		
LB-137-10-A	5.85-8.20	BJ70 (WR137)	10	A	FDP70	63	49	110	Al
LB-137-10-C-XX				NF / SF	63	49	158		
LB-137-15-A			15	A	FDP70	143	113	170	Al
LB-137-15-C-XX				NF / SF	143	113	218		
LB-137-20-A			20	A	FDP70	197	153	290	Al
LB-137-20-C-XX				NF / SF	197	153	338		
LB-137-25-A			25	A	FDP70	444	414	1400	Al
LB-137-25-C-XX				NF / SF	444	414	1448		
LB-112-10-A	7.05-10.0	BJ84 (WR112)	10	A	FBP84	52	38.5	90	Al
LB-112-10-C-XX				NF / SF	52	38.5	130		
LB-112-15-A			15	A	FBP84	102	71	140	Al
LB-112-15-C-XX				NF / SF	102	71	180		
LB-112-20-A			20	A	FBP84	172	128	230	Al
LB-112-20-C-XX				NF / SF	172	128	270		
LB-90-10-A	8.20-12.4	BJ100 (WR90)	10	A	FBP100	42	37	75	Al
LB-90-10-C-XX				SF / NF	42	37	113		
LB-90-15-A			15	A	FBP100	84	60	105	Al
LB-90-15-C-XX				SF / NF	84	60	143		
LB-90-20-A			20	A	FBP100	138	107	200	Al
LB-90-20-C-XX				SF / NF	138	107	238		
LB-90-25-A			25	A	FBP100	244	204	640	Al
LB-90-25-C-XX				SF / NF	244	204	678		
LB-75-10-A	10.0-15.0	BJ120 (WR75)	10	A	FBP120	38	29	65	Al
LB-75-10-C-XX				SF / NF	38	29	95		
LB-75-15-A			15	A	FBP120	68	48	90	Al
LB-75-15-C-XX				SF / NF	68	48	120		
LB-75-20-A			20	A	FBP120	108	83	155	Al
LB-75-20-C-XX				SF / NF	108	83	185		

Model	Frequency (GHz)	Waveguide	Gain (dB)	Figure	Output	Size (mm)			Material
						W	H	L	
LB-75-25-A	10.0-15.0	BJ120 (WR75)	25	A	FBP120	185	155	400	Al
LB-75-25-C-XX				C	SF / NF	185	155	430	
LB-62-10-A	12.4-18.0	BJ140 (WR62)	10	A	FBP140	32	23.5	60	Al
LB-62-10-C-XX				C	SF / NF	32	23.5	87	
LB-62-15-A			15	A	FBP140	50	35	60	Al
LB-62-15-C-XX				C	SF / NF	50	35	87	
LB-62-20-A			20	A	FBP140	93	72	135	Al
LB-62-20-C-XX				C	SF / NF	93	72	162	
LB-62-25-A			25	A	FBP140	155	128	356	Al
LB-62-25-C-XX				C	SF / NF	155	128	383	
LB-51-10-A	15.0-22.0	BJ180 (WR51)	10	A	FBP180	27	18.6	47	Cu
LB-51-10-C-XX				C	SF	27	18.6	74	
LB-51-15-A			15	A	FBP180	44	34	60	Cu
LB-51-15-C-XX				C	SF	44	34	87	
LB-51-20-A			20	A	FBP180	77	60	110	Cu
LB-51-20-C-XX				C	SF	77	60	137	
LB-51-25-A			25	A	FBP180	130	100	260	Cu
LB-51-25-C-XX				C	SF	130	100	287	
LB-42-10-A	18.0-26.5	BJ220 (WR42)	10	A	FBP220	22	16	42	Cu
LB-42-10-C-XX				C	SF/KF/3.5F	22	16	67	
LB-42-15-A			15	A	FBP220	34	24.5	48	Cu
LB-42-15-C-XX				C	SF/KF/3.5F	34	24.5	73	
LB-42-20-A			20	A	FBP220	63.5	49.4	90	Cu
LB-42-20-C-XX				C	SF/KF/3.5F	63.5	49.4	115	
LB-42-25-A			25	A	FBP220	104	85	271	Cu
LB-42-25-C-XX				C	SF/KF/3.5F	104	85	296	
LB-34-10-A	22.0-33.0	BJ260 (WR34)	10	A	FBP260	18	14	39	Cu
LB-34-10-C-XX				C	KF	18	14	64	
LB-34-15-A			15	A	FBP260	31	22	42	Cu
LB-34-15-C-XX				C	KF	31	22	67	
LB-34-20-A			20	A	FBP260	54	42	95	Cu
LB-34-20-C-XX				C	KF	54	42	120	
LB-34-25-A			25	A	FBP260	92	72	220	Cu
LB-34-25-C-XX				C	KF	92	72	245	
LB-28-10-A	26.5-40.0	BJ320(WR28)	10	A	FBP320	14	12.4	31	Cu
LB-28-10-C-XX				C	KF/2.4F	14	12.4	56	
LB-28-15-A			15	A	FBP320	20.2	16.6	36	Cu
LB-28-15-C-XX				C	KF/2.4F	20.2	16.6	61	
LB-28-20-A			20	A	FBP320	40.5	32	70	Cu
LB-28-20-C-XX				C	KF/2.4F	40.5	32	95	
LB-28-25-A			25	A	FBP320	71	59	172	Cu
LB-28-25-C-XX				C	KF/2.4F	71	59	197	
LB-22-10-A	33.0-50.0	BJ400(WR22)	10	A	FUGP400	12.5	9.8	30	Cu
LB-22-10-C-2.4F	33.0-50.0			C	2.4F	12.5	9.8	55	

Model	Frequency (GHz)	Waveguide	Gain (dB)	Figure	Output	Size (mm)			Material
						W	H	L	
LB-22-15-A	33.0-50.0	BJ400(WR22)	15	A	FUGP400	20.5	14	30	Cu
LB-22-15-C-2.4F	33.0-50.0			C	2.4F	20.5	14	55	
LB-22-20-A	33.0-50.0		20	A	FUGP400	35	27	51.4	Cu
LB-22-20-C-2.4F	33.0-50.0			C	2.4F	35	27	76.4	
LB-22-25-A	33.0-50.0		25	A	FUGP400	59	46	150	Cu
LB-22-25-C-2.4F	33.0-50.0			C	2.4F	59	46	175	
LB-19-10-A	40.0-60.0	BJ500(WR19)	10	A	FUGP500	11	8.5	25	Cu
LB-19-10-C-1.85F	40.0-50.0			C	1.85F	11	8.5	52	
LB-19-15-A	40.0-60.0		15	A	FUGP500	17	12	25	Cu
LB-19-15-C-1.85F	40.0-50.0			C	1.85F	17	12	52	
LB-19-20-A	40.0-60.0		20	A	FUGP500	31.4	25.3	50	Cu
LB-19-20-C-1.85F	40.0-50.0			C	1.85F	31.4	25.3	77	
LB-19-25-A	40.0-60.0		25	A	FUGP500	49	41	130	Cu
LB-19-25-C-1.85F	40.0-50.0			C	1.85F	49	41	157	
LB-15-10-A	50.0-75.0	BJ620(WR15)	10	A	FUGP620	19.1	19.1	40	Cu
LB-15-10-C-1.85F	50.0-65.0			C	1.85F	19.1	26.7	67	
LB-15-15-A	50.0-75.0		15	A	FUGP620	19.1	19.1	40	Cu
LB-15-15-C-1.85F	50.0-65.0			C	1.85F	19.1	26.7	67	
LB-15-20-A	50.0-75.0		20	A	FUGP620	21.6	19.1	47.3	Cu
LB-15-20-C-1.85F	50.0-65.0			C	1.85F	21.6	26.7	74.3	
LB-15-25-A	50.0-75.0		25	A	FUGP620	38	31	91.4	Cu
LB-15-25-C-1.85F	50.0-65.0			C	1.85F	38	32.6	118.4	
LB-12-10-A	60.0-90.0	BJ740(WR12)	10	A	FUGP740	7.5	6.5	20	Cu
LB-12-15-A			15	A	FUGP740	11	7.7	25	Cu
LB-12-20-A			20	A	FUGP740	20	16	31.4	Cu
LB-12-25-A			25	A	FUGP740	32	26	82	Cu
LB-10-10-A	75.0-110.0	BJ900(WR10)	10	A	FUGP900	5.3	4	20	Cu
LB-10-15-A			15	A	FUGP900	10.4	7.9	25	Cu
LB-10-20-A			20	A	FUGP900	16	13	31.4	Cu
LB-10-25-A			25	A	FUGP900	28	22	70	Cu
LB-8-10-A	90.0-140.0	BJ1200(WR8)	10	A	UG387	6.19	4.82	-	Cu
LB-8-15-A			15	A	UG387	9.07	7.29	-	Cu
LB-8-20-A			20	A	UG387	14.30	11.62	24	Cu
LB-8-25-A			25	A	UG387	21.4	16.6	51	Cu
LB-6-10-A	110.0-170.0	BJ1400(WR6)	10	A	UG387	5.34	4.25	-	Cu
LB-6-15-A			15	A	UG387	7.65	6.21	-	Cu
LB-6-20-A			20	A	UG387	11.82	9.66	20	Cu
LB-6-25-A			25	A	UG387	17.5	13.6	41	Cu
LB-5-10-A	140.0-220.0	BJ1800(WR5)	10	A	UG387	4.64	3.77	-	Cu
LB-5-15-A			15	A	UG387	6.45	5.32	-	Cu
LB-5-20-A			20	A	UG387	9.74	8.05	17	Cu
LB-5-25-A			25	A	UG387	13.9	10.8	32.2	Cu

Note: A-INFO can offer WG to coaxial adapter for each horn antenna. Connector Type can be SMA or N Type or customized.

Standard Gain Horn Antenna 8.20~12.4GHz

P/N: LB-90-15

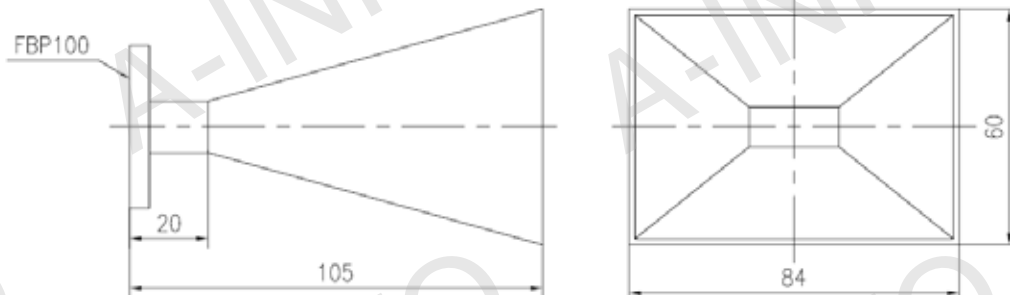


Technical Specification

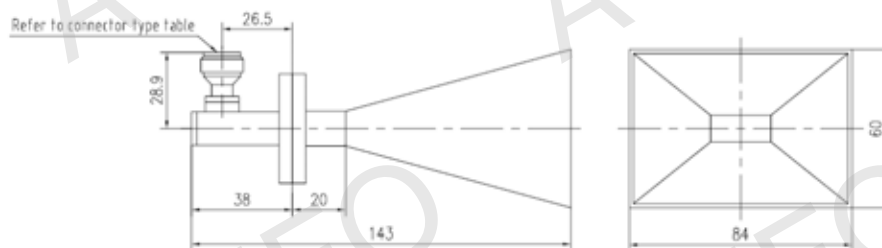
Frequency Range(GHz)	8.2 - 12.4
Gain(dB)	15 Typ.
3dB Beamwidth(deg)	30 Typ.
Waveguide	WR90
Material	Al
Output	A Type: FBP100 C Type: N/SMA/3.5mm/TNC/7mm
Size(mm) W x H x L	A Type: 84x60x105 C Type: 84x60x143
Net Weight(Kg)	A Type: 0.1 Around C Type: 0.15 Around

Outline Drawing (Size: mm)

A Type



C Type

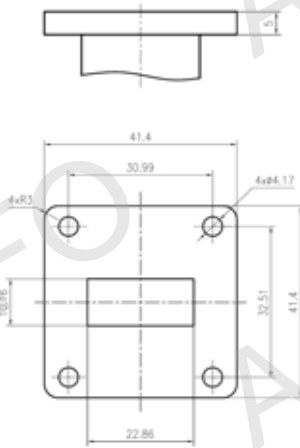


Connector type	
1	N type Female / Male
2	SMA Female / Male
3	3.5mm Female / Male
4	TNC Female / Male
5	7mm

Standard Gain Horn Antenna 8.20~12.4GHz (continued)

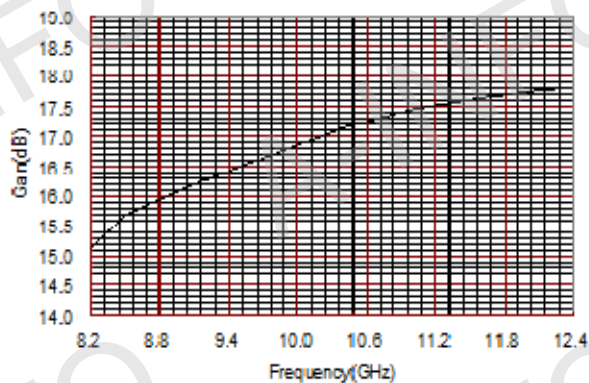
P/N: LB-90-15

Flange Drawing (Size: mm)

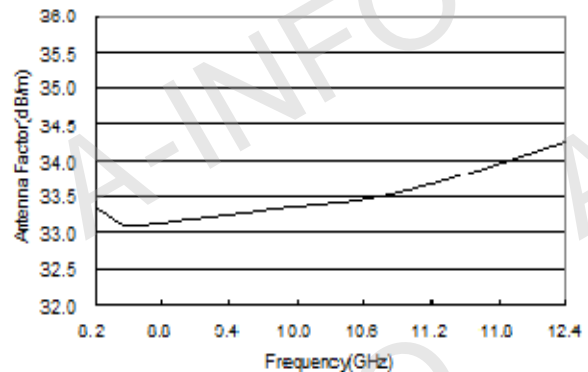


FBP100

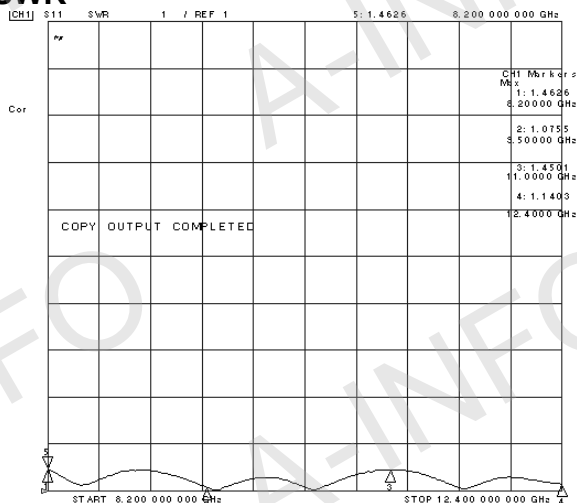
Gain



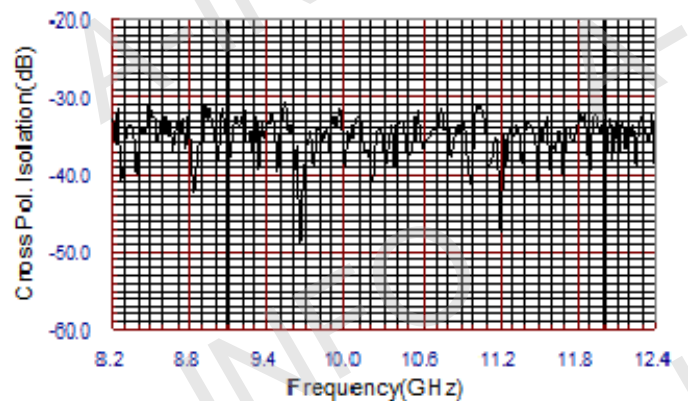
Antenna Factor



VSWR



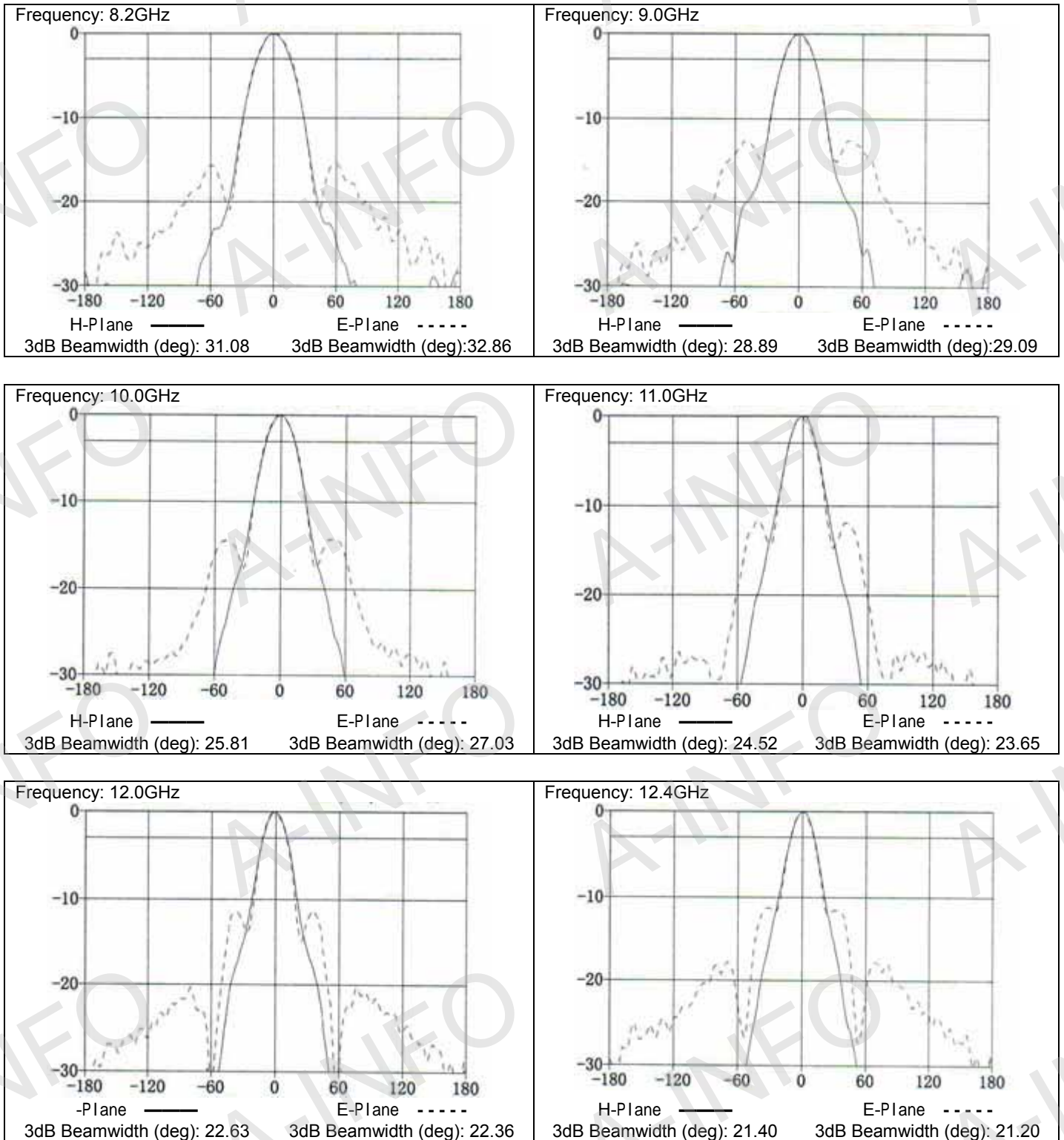
Cross Polarization Isolation



Standard Gain Horn Antenna 8.20~12.4GHz (continued)

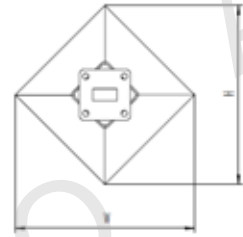
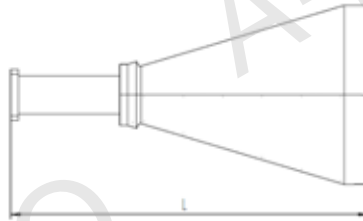
P/N: LB-90-15

Pattern

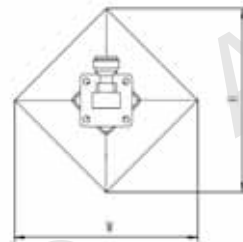
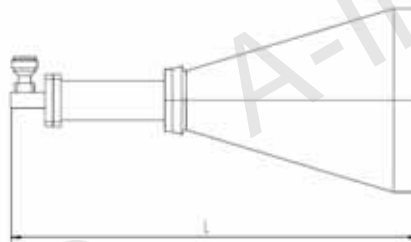


Diagonal Horn Antenna

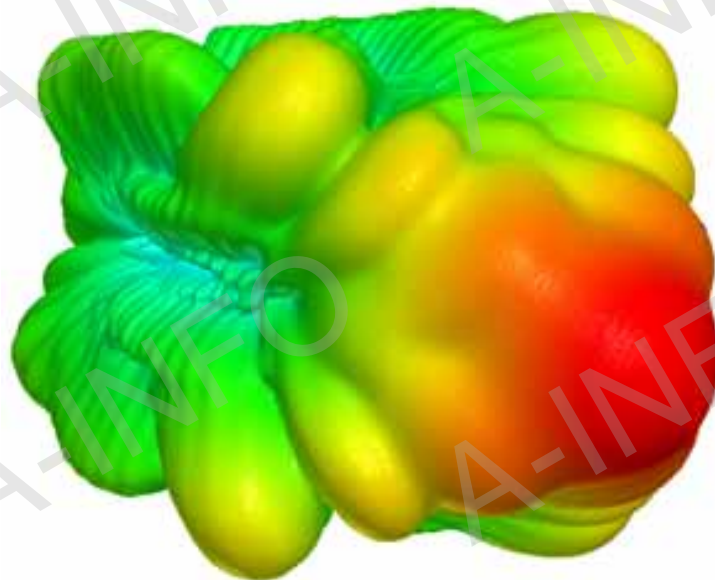
A Type, WG Output:



C Type, Coaxial Output:



Typical 3D Radiation Pattern



The LB-DG series diagonal horn antennas are linearly polarized and provide a symmetrical radiation pattern and extremely low side-lobes. A-INFO's diagonal horn antenna can cover from 750MHz to 220GHz frequency range. These horns are ideally suited for illumination of anechoic chamber, antenna far field test, radar cross section (RCS) measurement and other applications.

Model Information

Example Part Number: LB-DG -90 -10 -C -SF

Product Code

Waveguide Size: WR975 to WR5

Gain in dB, Standard gain is 15dB, 20dB, 25dB

Figure Type:

-A: Waveguide Output

-C: Coaxial Output. Connector type below needs to be specified

Figure C Connector Type Option:

7/16F=7/16 DIN Female

NF=N Type-Female; NM=N Type-Male;

SF=SMA-Female; SM=SMA-Male;

3.5F=3.5mm-Female; 3.5M=3.5mm-Male;

KF=2.92mm-Female; KM=2.92mm-Male;

2.4F=2.4mm-Female; 2.4M=2.4mm-Male;

1.85F=1.85mm-Female; 1.85M=1.85mm-Male

Calibration Option

Far Field Calibration Data with Extra Fee

Horn Antenna Accessories

1. Mounting Bracket
2. Tripod
3. Radome
4. Carrying Case

For detailed test data, pls. Log on www.ainfoinc.com – Antenna – Diagonal Horn and download.

Model	Frequency (GHz)	Waveguide	Gain (dB)	Figure	Output	Size (mm)			Material
						W	H	L	
LB-DG-975-15-A	0.75-1.12	WR975	15	A	FDP9	-	-	-	Al
LB-DG-975-15-C-XX				C	NF / SF	-	-	-	
LB-DG-770-15-A	0.96-1.45	WR770	15	A	FDP12	-	-	-	Al
LB-DG-770-15-C-XX				C	NF / SF	-	-	-	
LB-DG-650-15-A	1.12-1.70	WR650	15	A	FDP14	-	-	-	Al
LB-DG-650-15-C-XX				C	NF / SF	-	-	-	
LB-DG-510-15-A	1.45-2.20	WR510	15	A	FDP18	-	-	-	Al
LB-DG-510-15-C-XX				C	NF / SF	-	-	-	
LB-DG-430-15-A	1.70-2.60	WR430	15	A	FDP22	-	-	-	Al
LB-DG-430-15-C-XX				C	NF / SF	-	-	-	
LB-DG-430-20-A			20	A	FDP22	-	-	-	Al
LB-DG-430-20-C-XX				C	NF / SF	-	-	-	
LB-DG-340-15-A	2.20-3.30	WR340	15	A	FDP26	-	-	-	Al
LB-DG-340-15-C-XX				C	NF / SF	-	-	-	
LB-DG-340-20-A			20	A	FDP26	-	-	-	Al
LB-DG-340-20-C-XX				C	NF / SF	-	-	-	
LB-DG-284-15-A	2.60-3.95	WR284	15	A	FDP32	-	-	-	Al
LB-DG-284-15-C-XX				C	NF / SF	-	-	-	
LB-DG-284-20-A			20	A	FDP32	-	-	-	Al
LB-DG-284-20-C-XX				C	NF / SF	-	-	-	
LB-DG-229-15-A	3.30-4.90	WR229	15	A	FDP40	-	-	-	Al
LB-DG-229-15-C-XX				C	NF / SF	-	-	-	
LB-DG-229-20-A			20	A	FDP40	-	-	-	Al
LB-DG-229-20-C-XX				C	NF / SF	-	-	-	
LB-DG-187-15-A	3.95-5.85	WR187	15	A	FDP48	-	-	-	Al
LB-DG-187-15-C-XX				C	NF / SF	-	-	-	
LB-DG-187-20-A			20	A	FDP48	-	-	-	Al
LB-DG-187-20-C-XX				C	NF / SF	-	-	-	
LB-DG-187-25-A			25	A	FDP48	-	-	-	Al
LB-DG-187-25-C-XX				C	NF / SF	-	-	-	
LB-DG-159-15-A	4.90-7.05	WR159	15	A	FDP58	-	-	-	Al
LB-DG-159-15-C-XX				C	NF / SF	-	-	-	
LB-DG-159-20-A			20	A	FDP58	-	-	-	Al
LB-DG-159-20-C-XX				C	NF / SF	-	-	-	

Model	Frequency (GHz)	Waveguide	Gain (dB)	Figure	Output	Size (mm)			Material
						W	H	L	
LB-DG-137-15-A	5.85-8.20	WR137	15	A	FDP70	160	160	292.4	Al
LB-DG-137-15-C-XX				C	NF / SF	160	160	340.4	
LB-DG-137-20-A			20	A	FDP70	-	-	-	Al
LB-DG-137-20-C-XX				C	NF / SF	-	-	-	
LB-DG-137-25-A			25	A	FDP70	-	-	-	Al
LB-DG-137-25-C-XX				C	NF / SF	-	-	-	
LB-DG-112-20-A	7.05-10.0	WR112	20	A	FBP84	-	-	-	Al
LB-DG-112-20-C-XX				C	NF / SF	-	-	-	
LB-DG-90-20-A	8.20-12.4	WR90	20	A	FBP100	182.6	182.6	316	Al
LB-DG-90-20-C-XX				C	SF / NF	182.6	182.6	354	
LB-DG-90-25-A			25	A	FBP100	-	-	-	Al
LB-DG-90-25-C-XX				C	SF / NF	-	-	-	
LB-DG-75-20-A	10.0-15.0	WR75	20	A	FBP120	-	-	-	Al
LB-DG-75-20-C-XX				C	SF / NF	-	-	-	
LB-DG-75-25-A			25	A	FBP120	-	-	-	Al
LB-DG-75-25-C-XX				C	SF / NF	-	-	-	
LB-DG-62-20-A	12.4-18.0	WR62	20	A	FBP140	117	117	233.2	Al
LB-DG-62-20-C-XX				C	SF / NF	117	117	260.2	
LB-DG-62-25-A			25	A	FBP140	-	-	-	Al
LB-DG-62-25-C-XX				C	SF / NF	-	-	-	
LB-DG-51-20-A	15.0-22.0	WR51	20	A	FBP180	-	-	-	Al
LB-DG-51-20-C-XX				C	SF	-	-	-	
LB-DG-51-25-A			25	A	FBP180	-	-	-	Al
LB-DG-51-25-C-XX				C	SF	-	-	-	
LB-DG-42-20-A	18.0-26.5	WR42	20	A	FBP220	-	-	-	Al
LB-DG-42-20-C-XX				C	SF / KF/ 3.5F	-	-	-	
LB-DG-42-25-A			25	A	FBP220	-	-	-	Al
LB-DG-42-25-C-XX				C	SF / KF/ 3.5F	-	-	-	
LB-DG-34-20-A	22.0-33.0	WR34	20	A	FBP260	-	-	-	Al
LB-DG-34-20-C-XX				C	2.92mm- Female	-	-	-	
LB-DG-34-25-A			25	A	FBP260	-	-	-	Al
LB-DG-34-25-C-XX				C	2.92mm- Female	-	-	-	

Model	Frequency (GHz)	Waveguide	Gain (dB)	Figure	Output	Size (mm)			Material
						W	H	L	
LB-DG-28-20-A	26.5-40.0	WR28	20	A	FBP320	-	-	-	Al
LB-DG-28-20-C-XX				C	KF / 2.4F	-	-	-	
LB-DG-28-25-A			25	A	FBP320	-	-	-	Al
LB-DG-28-25-C-XX				C	KF / 2.4F	-	-	-	
LB-DG-22-20-A	33.0-50.0	WR22	20	A	FUGP400	-	-	-	Cu
LB-DG-22-20-C-2.4F	33.0-50.0			C	2.4mm-Female	-	-	-	
LB-DG-22-25-A	33.0-50.0		25	A	FUGP400	-	-	-	Cu
LB-DG-22-25-C-2.4F	33.0-50.0			C	2.4mm-Female	-	-	-	
LB-DG-19-20-A	40.0-60.0	WR19	20	A	FUGP500	-	-	-	Cu
LB-DG-19-20-C-2.4F	40.0-50.0			C	2.4mm-Female	-	-	-	
LB-DG-19-20-C-1.85F	40.0-60.0			C	1.85mm-Female	-	-	-	
LB-DG-19-25-A	40.0-60.0		25	A	FUGP500	-	-	-	Cu
LB-DG-19-25-C-2.4F	40.0-50.0			C	2.4mm-Female	-	-	-	
LB-DG-19-25-C-1.85F	40.0-60.0			C	1.85mm-Female	-	-	-	
LB-DG-15-25-A	50.0-75.0	WR15	25	A	FUGP620	-	-	-	Cu
LB-DG-15-25-C-1.85F	50.0-65.0			C	1.85mm-Female	-	-	-	
LB-DG-12-25-A	60.0-90.0	WR12	25	A	FUGP740	-	-	-	Cu
LB-DG-10-25-A	75.0-110.0	WR10	25	A	FUGP900	-	-	-	Cu
LB-DG-8-25-A	90.0-140.0	WR8	25	A	UG387	-	-	-	Cu
LB-DG-6-25-A	110.0-170.0	WR6	25	A	UG387	-	-	-	Cu
LB-DG-5-25-A	140.0-220.0	WR5	25	A	UG387	-	-	-	Cu

Diagonal Horn Antenna 8.20~12.4GHz

P/N: LB-DG-90-20

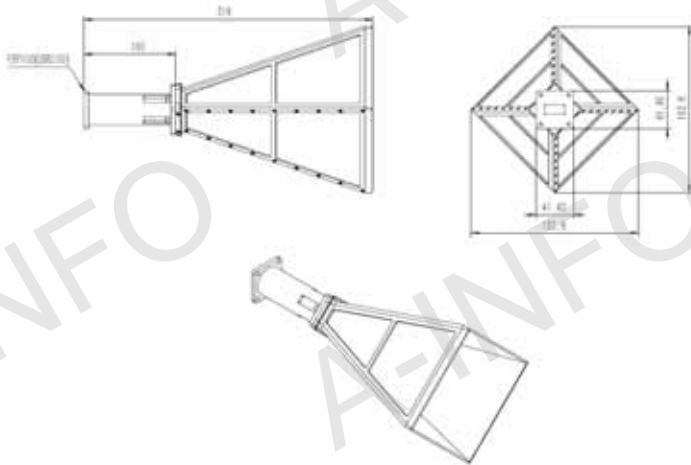


Technical Specification

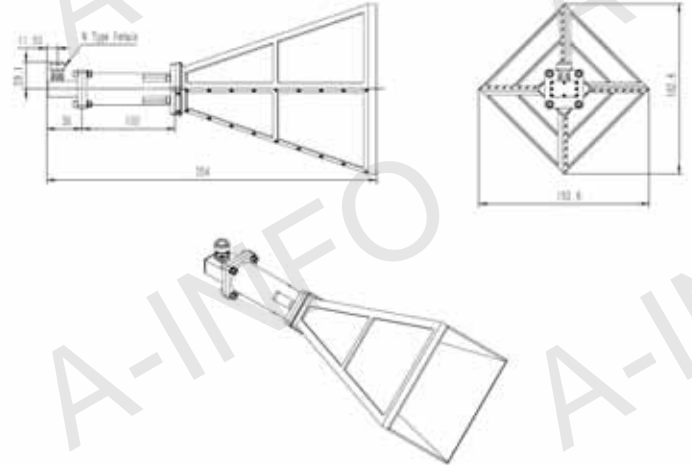
Frequency Range(GHz)	8.2 - 12.4
Gain(dB)	15 Typ.
Waveguide	WR90
Sidelobe(dB)	E Plane: -30dB Max. H Plane: -35dB Max.
Cross Pol. Isolation(dB)	-40 Typ.
VSWR	A Type: 1.2 Max. C Type: 1.5 Max.
Output	A Type: FBP100 C Type: N/SMA/3.5mm/TNC/7mm
Material	Al
Size(mm)	A Type: 316x182.6x182.6 C Type: 354x182.6x182.6
Net Weight(Kg)	A Type: 0.62 Around C Type: 0.70 Around

Outline Drawing (Size: mm)

A Type



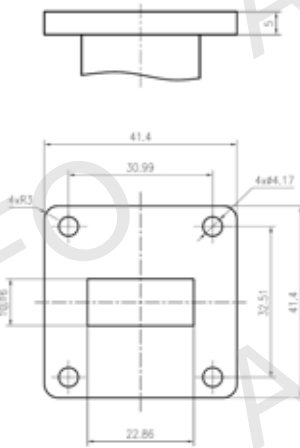
C Type



Diagonal Horn Antenna 8.20~12.4GHz (continued)

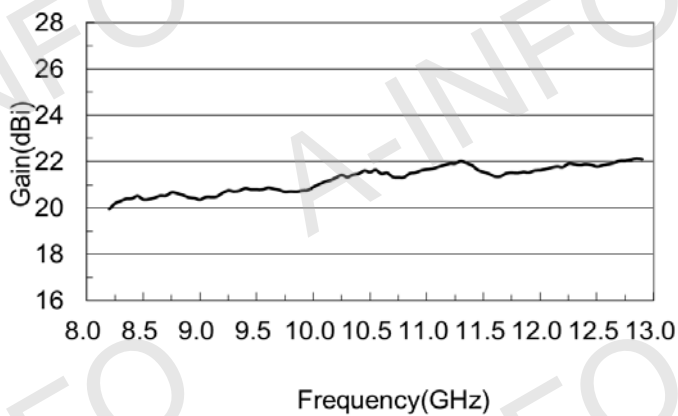
P/N: LB-DG-90-20

Flange Drawing (Size: mm)

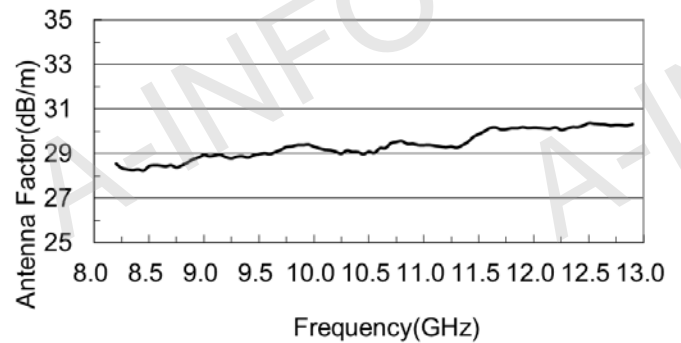


FBP100

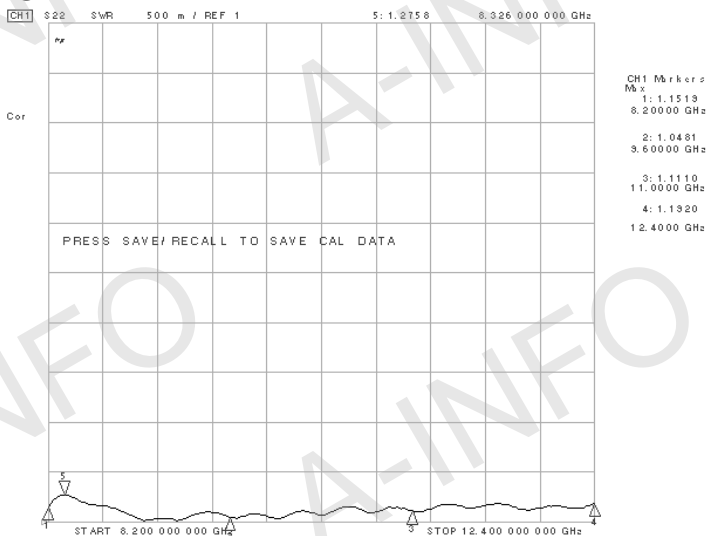
Gain



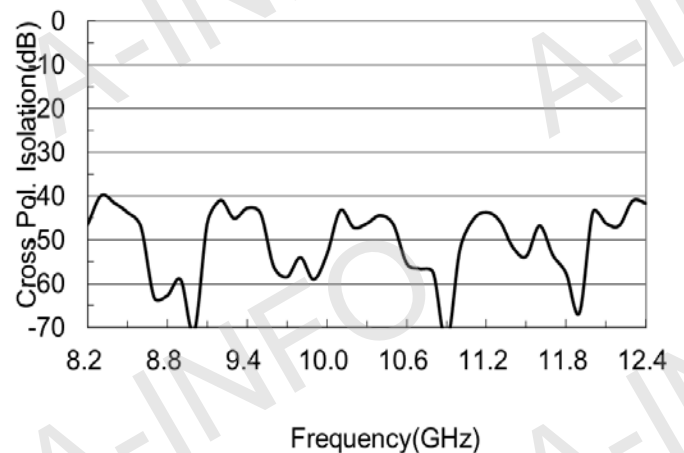
Antenna Factor



VSWR



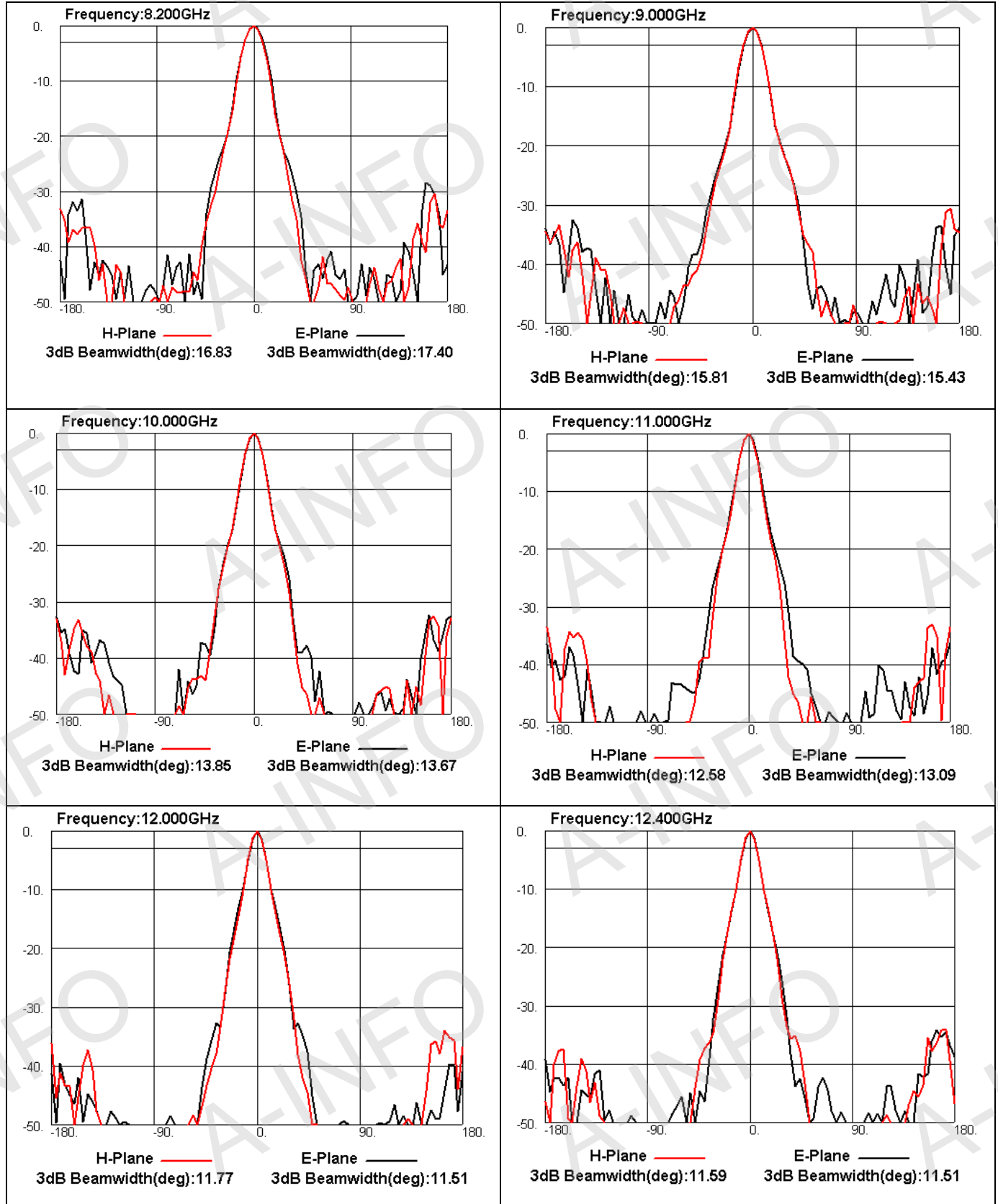
Cross Polarization Isolation



Diagonal Horn Antenna 8.20~12.4GHz (continued)

P/N: LB-DG-90-20

Pattern



Open Ended Waveguide Probes

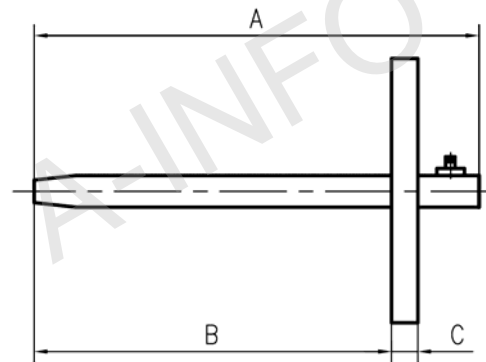


Figure 1

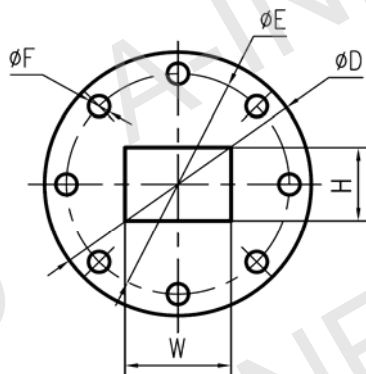


Figure 2

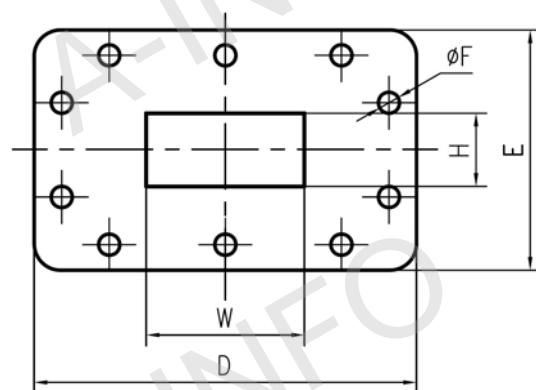


Figure 3

Model	Frequency (GHz)	Size(mm)								Output
		Figure1			Figure3					
		A	B	C	D	E	F	H	W	
2300EWGN	0.32-0.49	1344.8	812.8	23.00	676.3	384.2	13.20	292.10	584.20	N-F
2100EWGN	0.35-0.53	1298.8	812.8	23.00	625.5	358.8	13.20	266.70	533.40	N-F
1800EWGN	0.41-0.62	1229.8	812.8	18.00	546.1	317.5	10.40	228.60	457.20	N-F
1500EWGN	0.49-0.75	1160.8	812.8	18.00	469.9	279.4	10.40	190.50	381.00	N-F
1150EWGN	0.64-0.96	1080.8	812.8	14.00	381.0	235.0	10.40	146.05	292.10	N-F
975EWGN	0.75-1.12	994.0	812.8	12.70	336.6	212.7	10.08	125.95	247.70	N-F
975EWGS	0.75-1.12	994.0	812.8	12.70	336.6	212.7	10.08	125.95	247.70	SMA-F
770EWGN	0.96-1.45	971.5	812.8	12.70	285.0	186.7	10.08	97.79	195.58	N-F
770EWGS	0.96-1.45	971.5	812.8	12.70	285.0	186.7	10.08	97.79	195.58	SMA-F
650EWGN	1.12-1.70	963.5	812.8	12.70	220.7	138.2	8.43	82.55	165.10	N-F
650EWGS	1.12-1.70	963.5	812.8	12.70	220.7	138.2	8.43	82.55	165.10	SMA-F
510EWGN	1.45-2.20	772.7	635.0	12.70	185.0	120.0	8.43	64.77	129.54	N-F
510EWGS	1.45-2.20	772.7	635.0	12.70	185.0	120.0	8.43	64.77	129.54	SMA-F
430EWGN	1.70-2.60	638.1	533.4	12.70	161.0	106.4	6.76	54.61	109.22	N-F
430EWGS	1.70-2.60	638.1	533.4	12.70	161.0	106.4	6.76	54.61	109.22	SMA-F
340EWGN	2.20-3.30	553.82	457.12	12.70	138.2	95.3	6.76	43.18	86.36	N-F
340EWGS	2.20-3.30	553.82	457.12	12.70	138.2	95.3	6.76	43.18	86.36	SMA-F

Model	Frequency (GHz)	Size(mm)								Output
		Figure1			Figure2					
		A	B	C	D	E	F	H	W	
284EWGN	2.60-3.95	433.25	355.6	9.65	134.9	120.7	6.76	34.03	72.14	N-F
284EWGS	2.60-3.95	433.25	355.6	9.65	134.9	120.7	6.76	34.03	72.14	SMA-F
229EWGN	3.30-4.90	373.4	304.8	9.65	134.9	120.7	6.76	29.21	58.17	N-F
229EWGS	3.30-4.90	373.4	304.8	9.65	134.9	120.7	6.76	29.21	58.17	SMA-F
187EWGN	3.95-5.85	293.25	228.6	9.65	101.6	88.9	4.80	22.10	47.50	N-F
187EWGS	3.95-5.85	293.25	228.6	9.65	101.6	88.9	4.80	22.10	47.50	SMA-F
159EWGN	4.90-7.05	280.05	228.6	9.65	101.6	88.9	4.80	20.06	40.39	N-F
159EWGS	4.90-7.05	280.05	228.6	9.65	101.6	88.9	4.80	20.06	40.39	SMA-F

Model	Frequency (GHz)	Size(mm)								Output
		Figure1			Figure2					
		A	B	C	D	E	F	H	W	
137EWGN	5.85-8.20	252.85	203.2	9.65	101.6	88.9	4.80	15.80	34.79	N-F
137EWGS	5.85-8.20	252.85	203.2	9.65	101.6	88.9	4.80	15.80	34.79	SMA-F
112EWGN	7.05-10.0	250.75	203.2	9.65	101.6	88.9	4.80	12.70	28.44	N-F
112EWGS	7.05-10.0	250.75	203.2	9.65	101.6	88.9	4.80	12.70	28.44	SMA-F
90EWGN	8.20-12.4	195.25	152.4	6.35	101.6	88.9	4.80	10.16	22.86	N-F
90EWGS	8.20-12.4	195.25	152.4	6.35	101.6	88.9	4.80	10.16	22.86	SMA-F
75EWGN	10.0-15.0	193.85	152.4	6.35	101.6	88.9	4.80	9.53	19.05	N-F
75EWGS	10.0-15.0	193.85	152.4	6.35	101.6	88.9	4.80	9.53	19.05	SMA-F
62EWGN	12.4-18.0	192.55	152.4	6.35	101.6	88.9	4.80	7.90	15.80	N-F
62EWGS	12.4-18.0	192.55	152.4	6.35	101.6	88.9	4.80	7.90	15.80	SMA-F
51EWGS	15.0-22.0	191.7	152.4	6.35	101.6	88.9	4.80	6.48	12.95	SMA-F
42EWGS	18.0-26.5	184.75	152.4	6.35	101.6	88.9	4.80	4.32	10.67	SMA-F
42EWGK	18.0-26.5	184.75	152.4	6.35	101.6	88.9	4.80	4.32	10.67	2.92mm-F
34EWGK	22.0-33.0	184.75	152.4	6.35	101.6	88.9	4.80	4.32	8.64	2.92mm-F
28EWGK	26.5-40.0	184.75	152.4	6.35	101.6	88.9	4.80	3.56	7.11	2.92mm-F
28EWG2.4	26.5-40.0	184.75	152.4	6.35	101.6	88.9	4.80	3.56	7.11	2.4mm-F
22EWG2.4	33.0-50.0	189.5	152.4	6.35	101.6	88.9	4.80	2.85	5.69	2.4mm-F
19EWG1.85	40.0-60.0	188.75	152.4	6.35	101.6	88.9	4.80	2.39	4.78	1.85mm-F
15EWG1.85	50.0-65.0	188.75	152.4	6.35	101.6	88.9	4.80	1.88	3.76	1.85mm-F
12EWG	60.0-90.0	Contact: sales@ainfoinc.com						1.55	3.10	FUGP740
10EWG	75.0-110.0	Contact: sales@ainfoinc.com						1.27	2.54	FUGP900

Open Ended Waveguide Probes 18.0~26.5GHz

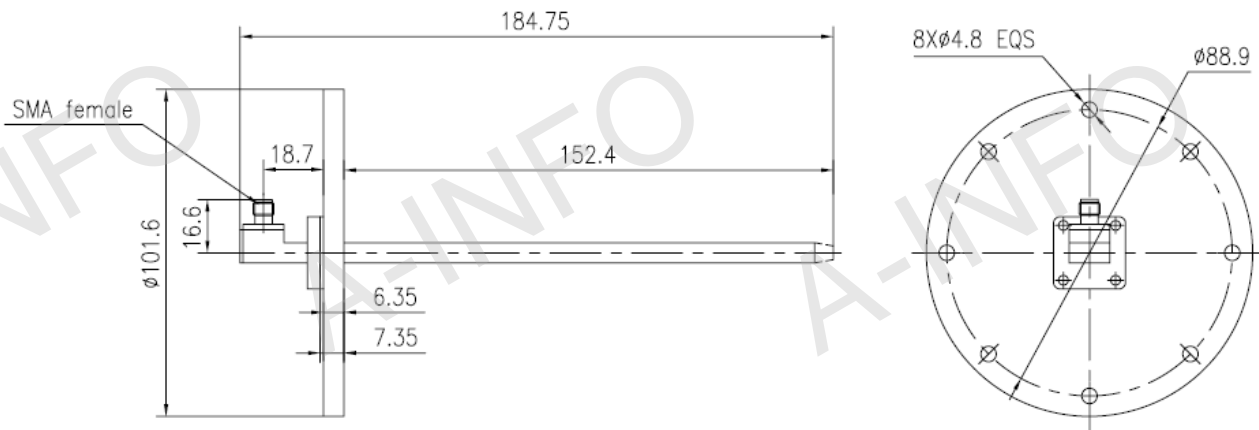
P/N: 42EWG



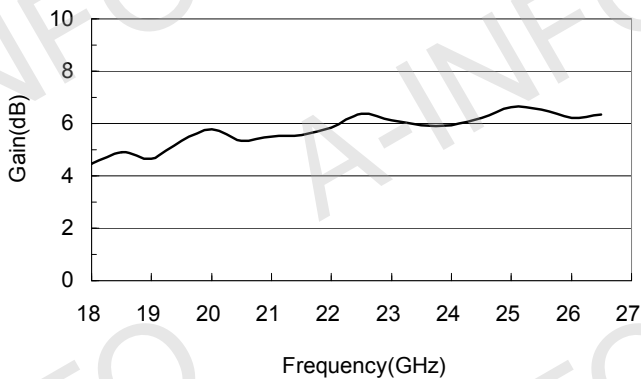
Technical Specification

Frequency(GHz)	18.0-26.5
Gain (dB)	5 Typ.
VSWR	2.0 Typ.
Connector	SMA-F/2.92mm-F/3.5mm-F
Material	Cu
Length(mm)	184.75
Net Weight(Kg)	0.55 Around

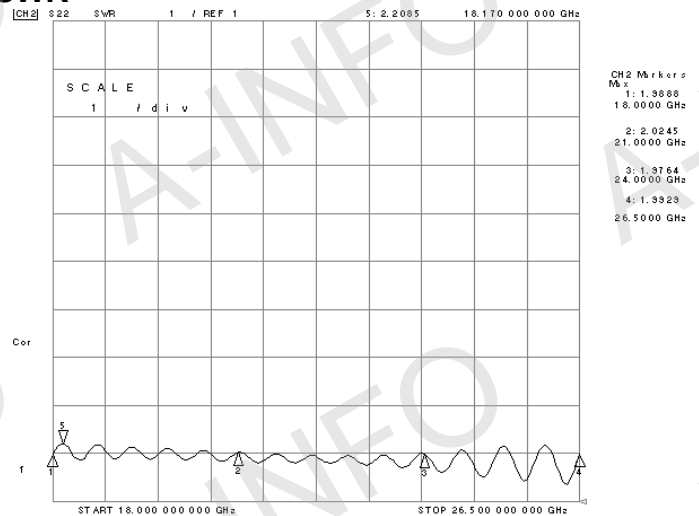
Outline Drawing(Size: mm)



Gain



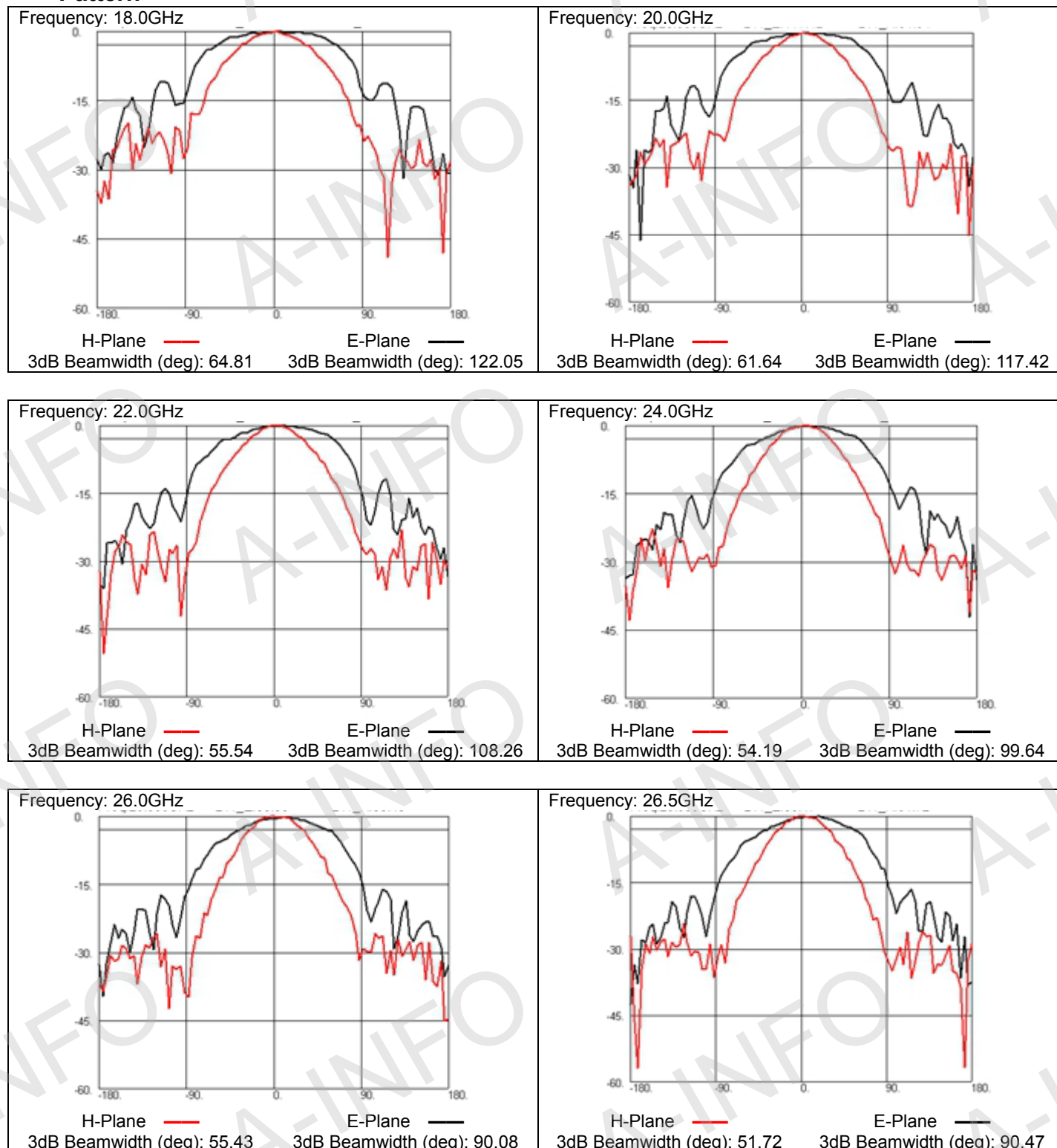
VSWR



Open Ended Waveguide Probes 18.0~26.5GHz(continued)

P/N: 42EWG

Pattern



Ortho-Mode Transducer (OMT) Horn Antenna



For detailed test data, pls. Log on www.ainfoinc.com – Antenna – OMT Horn Antenna and download.

Model	Freq. Range (GHz)	Polarization	Gain (dB) min.	VSWR Typ.	Cross Isolation (dB) min.	Connector	Size (mm)
LB-OMT-5060-SF	5.0-6.0	Dual	20	2.0	30	SMA-F	270 x 270 x 620
LB-OMT-5060-NF	5.0-6.0	Dual	20	2.0	30	N-F	270 x 270 x 620
LB-OMT-90100-SF	9.0-10.0	Dual	20	2.0	30	SMA-F	150 x 150 x 358
LB-OMT-90100-NF	9.0-10.0	Dual	20	2.0	30	N-F	150 x 150 x 358
LB-OMT-150220-SF	15.0-22.0	Dual	15	2.0 Max	30	SMA-F	43 x 43x 79.5

Notes:

1, The Conical and Corrugated Conical horn antenna can also be applied to OMT Horn to get better sidelobe and radiation Pattern.

2, Customization is available.

Ortho-Mode Transducer (OMT) Horn Antenna 5.0~6.0GHz

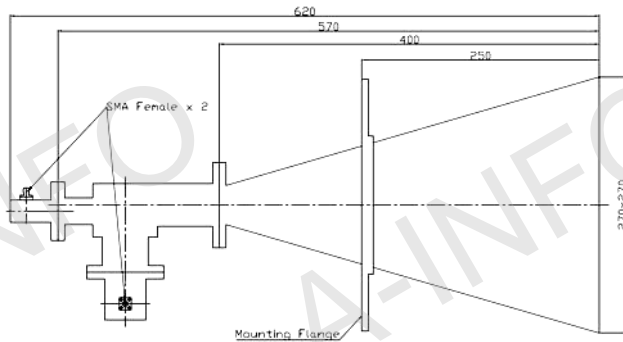
P/N: LB-OMT-5060



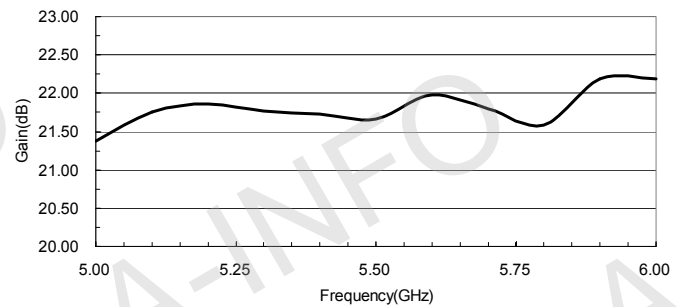
Technical Specification

Polarization	Dual Linear
Frequency(GHz)	5.0-6.0
Gain (dB)	20 min.
VSWR	2.0 Typ.
Cross Isolation(dB)	30 min.
Power Handling(W)	10 min.
Connector	SMA-Female
Net Weight(Kg)	3.6 Around

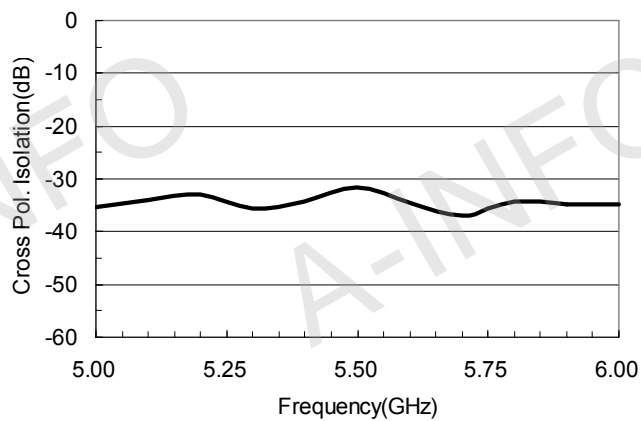
Outline Drawing(Size: mm)



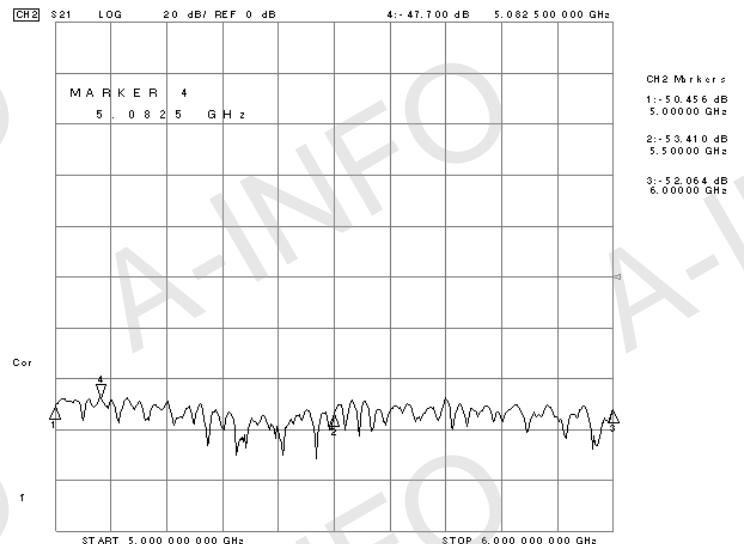
Gain



Cross Polarization Isolation



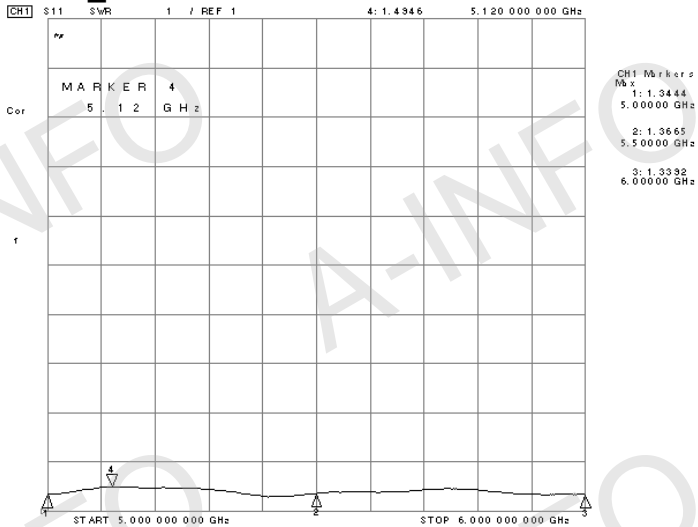
Port to Port Isolation



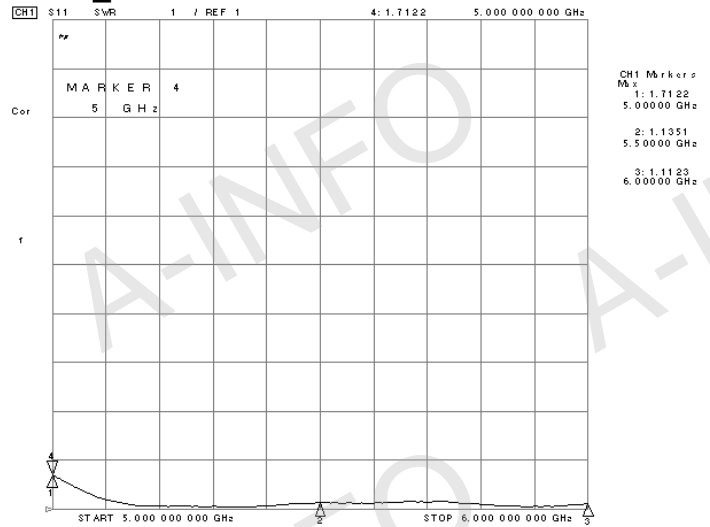
Ortho-Mode Transducer (OMT) Horn Antenna 5.0~6.0GHz (continued)

P/N: LB-OMT-5060

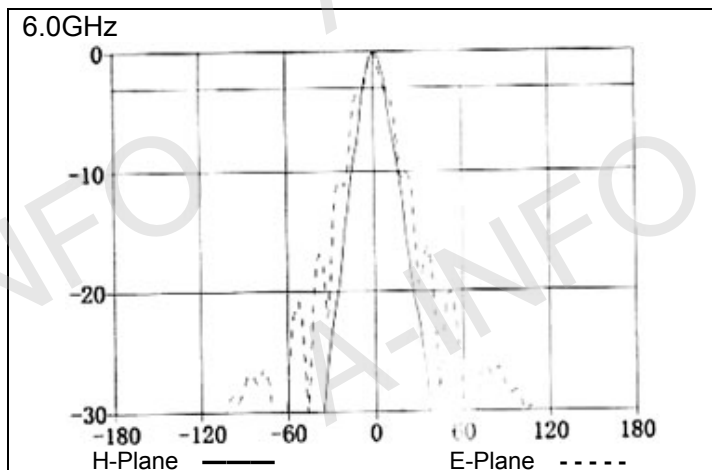
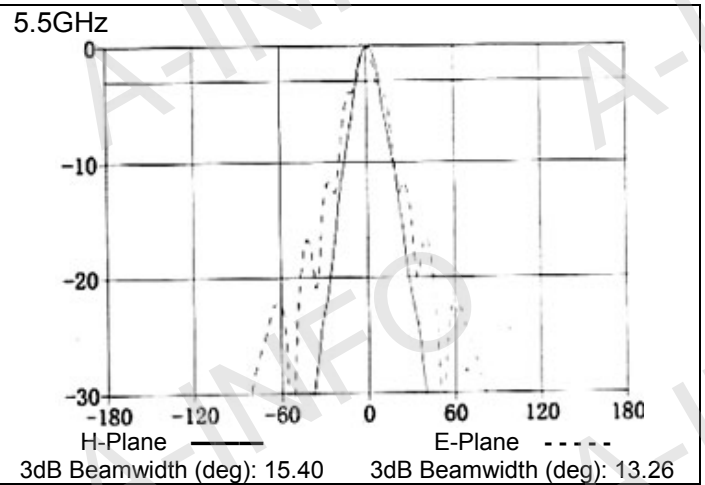
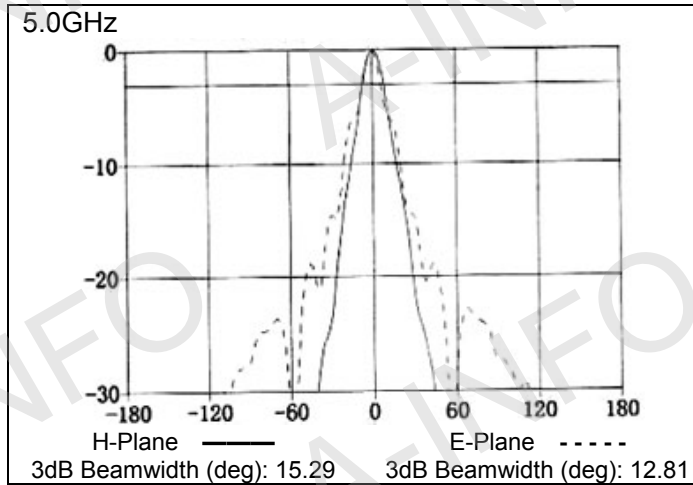
Port1_VSWR



Port2_VSWR



Pattern



130

China(Beijing): Tel: (+86) 10-6266-7326, (+86) 10-6266-7327
China(Chengdu): Tel: (+86) 28-8519-2786, (+86) 28-8519-3044
USA: Tel: (+1) 949-346-7326, (+1) 949-639-9660

Fax: (+86) 10-6266-7379
Fax: (+86) 28-8519-3068
Fax: (+1) 949-639-9659

Website: www.ainfoinc.com
Email: sales@ainfoinc.com

3dB Beamwidth (deg): 14.78 3dB Beamwidth (deg): 14.18

Ortho-Mode Transducer (OMT) Horn Antenna 9.0~10.0GHz

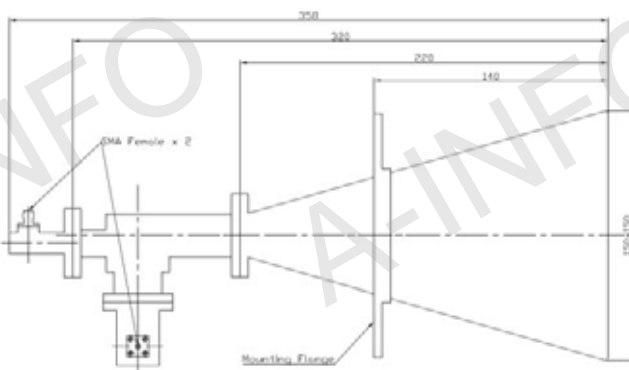
P/N: LB-OMT-90100



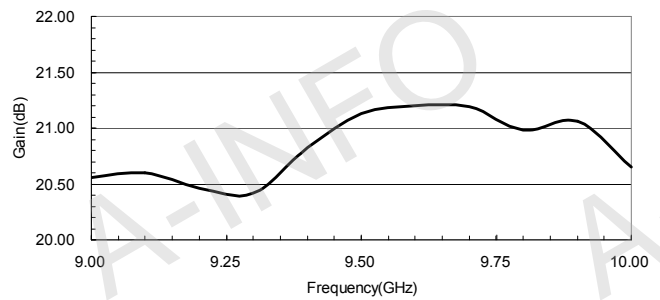
Technical Specification

Polarization	Dual Linear
Frequency(GHz)	9.0-10.0
Gain (dB)	20 min.
VSWR	2.0 Typ.
Cross Isolation(dB)	30 min.
Power Handling(W)	10 min.
Connector	SMA-Female

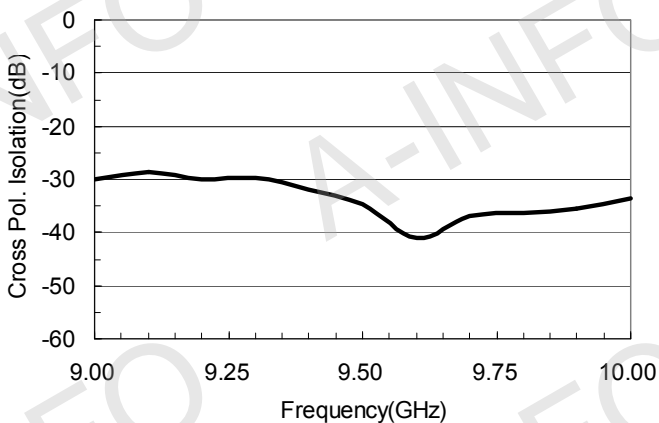
Outline Drawing(Size: mm)



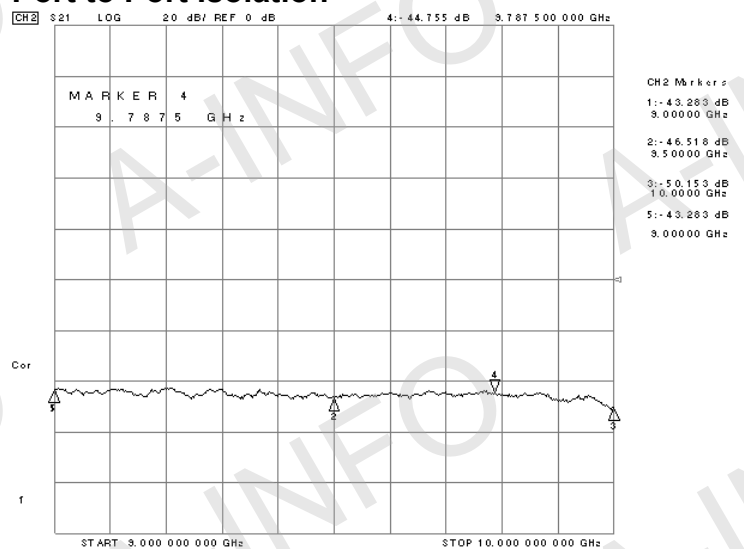
Gain



Cross Polarization Isolation



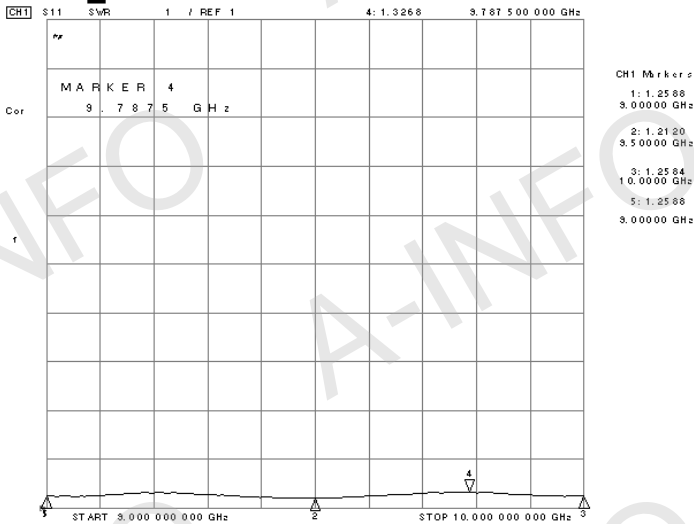
Port to Port Isolation



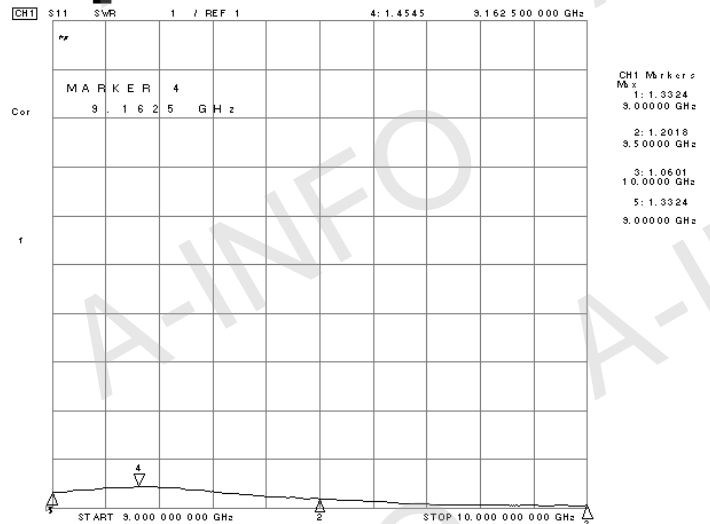
Ortho-Mode Transducer (OMT) Horn Antenna 9.0~10.0GHz (continued)

P/N: LB-OMT-90100

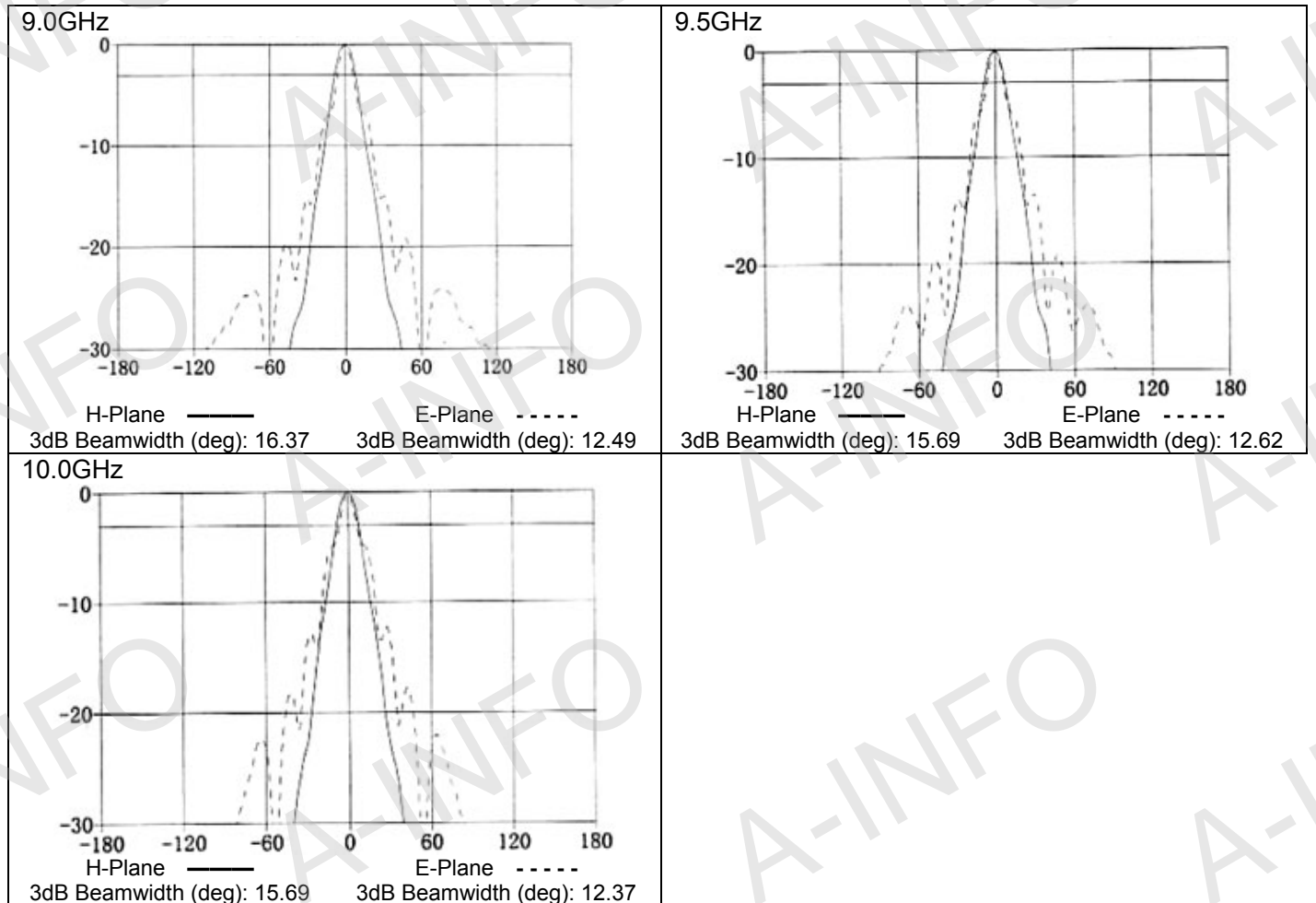
Port1_VSWR



Port2_VSWR



Pattern



Conical Horn Antenna



For detailed test data, pls. Log on www.ainfoinc.com – Antenna – Conical Horn Antenna and download.

Model	Freq. Range (GHz)	Gain (dB) Typ.	VSWR Max.	Waveguide	Flange	Material
YLB-90-15	8.2-12.4	15	1.5	WR90	FBP100	Al
YLB-90-20	8.2-12.4	20	1.5	WR90	FBP100	Al
YLB-42-25	18.0-26.5	25	1.5	WR42	FBP220	Cu
YLB-28-20	26.5-40.0	20	2.0	WR28	FBP320	Cu
YLB-15-20	50.0-70.0	20	1.5	WR15	FUGP620	Cu

Conical Horn Antenna 8.2~12.4GHz

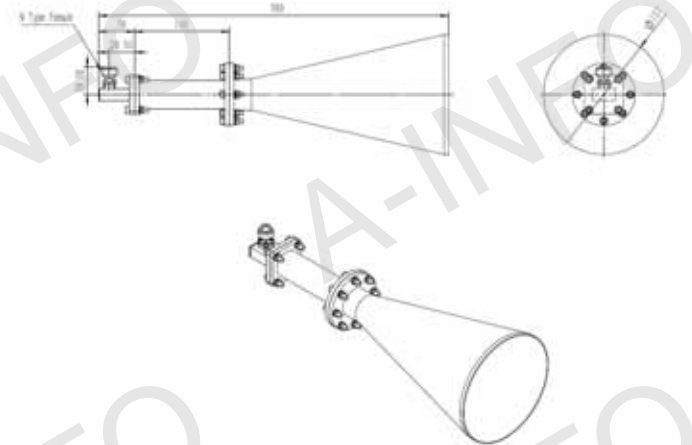
P/N: YLB-90-20



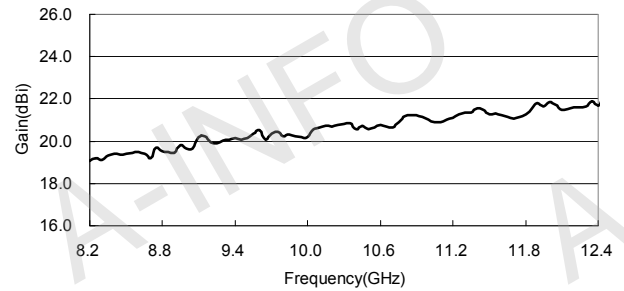
Technical Specification

EIA WR	WR90
Frequency(GHz)	8.2-12.4
Gain (dB)	20 Typ.
3dB Beamwidth(deg)	16 Typ.
VSWR	A Type: 1.5 Max. C Type: 1.5 Max.
Output	A Type: FBP100 C Type: N-F or SMA-F
Material	Al
Size(mm)	A Type: $\Phi 127 \times 331$ C Type: $\Phi 127 \times 369$
Net Weight(Kg)	A Type: 0.55 Around C Type: 0.60 Around

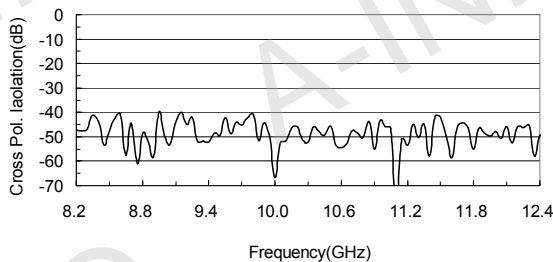
Outline Drawing(Size: mm)



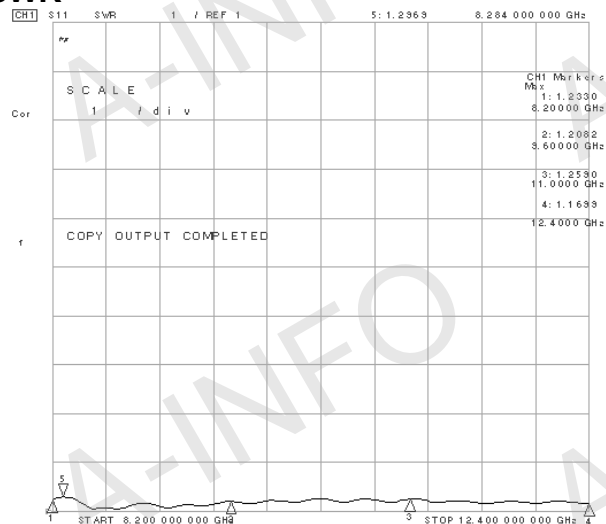
Gain



Cross Polarization Isolation



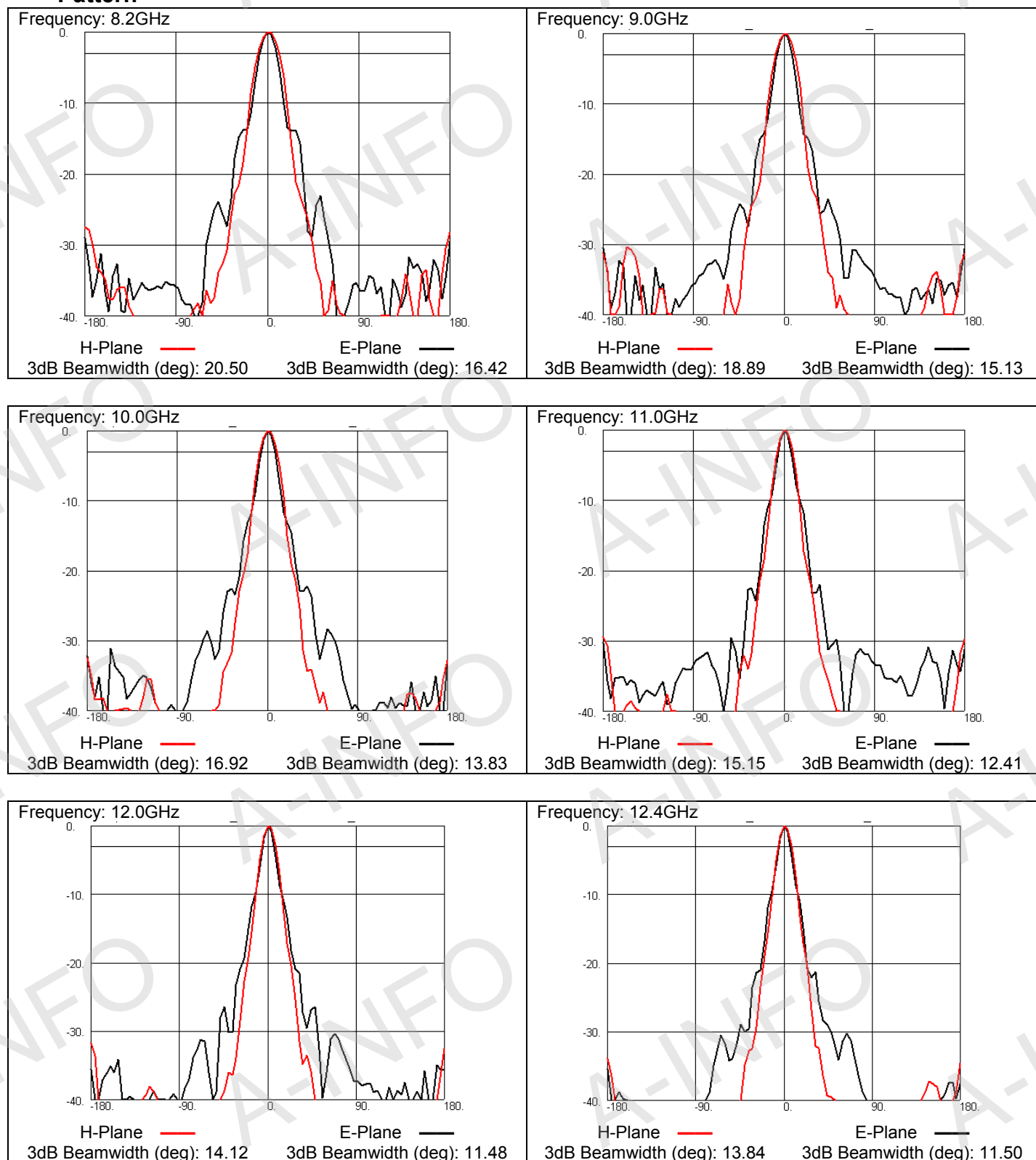
VSWR



Conical Horn Antenna 8.2~12.4GHz(continued)

P/N: YLB-90-20

Pattern



Corrugated Conical Horn Antenna



Model Information				
Example Part Number: LB-CH -90 -15 -C -SF				
Product Code				
Waveguide Size: WR90 - WR10				
Gain in dB, Standard gain is 10dB, 15dB, 20dB, 25dB				
Figure Type:				
-A: Waveguide Output				
-C: Coaxial Output. Connector type below needs to be specified				
Figure C Connector Type Option:				
7/16F=7/16 DIN Female;				
NF=N Type-Female; NM=N Type-Male;				
SF=SMA-Female; SM=SMA-Male;				
3.5F=3.5mm-Female; 3.5M=3.5mm-Male;				
KF=2.92mm-Female; KM=2.92mm-Male;				
2.4F=2.4mm-Female; 2.4M=2.4mm-Male;				
1.85F=1.85mm-Female; 1.85M=1.85mm-Male				

For detailed test data, pls. Log on www.ainfoinc.com – Antenna – Corrugated Conical Horn Antenna and download.

Model	Freq. (GHz)	WG	Pol.	Gain (dB) Typ.	Figure	VSWR Typ.	Output	Size(mm)	
								Length	Aperture Diameter
LB-CH-90-15-A	8.2-12.4	WR90	Linear	15	A	1.15	FBP100	228	90
LB-CH-90-15-C-XX					C	1.5	SF/NF	266	90
LB-CH-90-20-A				20	A	1.15	FBP100	335	150
LB-CH-90-20-C-XX					C	1.5	SF/NF	373	150
LB-CH-90-25-A				25	A	1.15	FBP100	-	-
LB-CH-90-25-C-XX					C	1.5	SF/NF	-	-
LB-CH-75-15-A	10.0-15.0	WR75	Linear	15	A	1.15	FBP120	-	-
LB-CH-75-15-C-XX					C	1.5	SF/NF	-	-
LB-CH-75-20-A				20	A	1.15	FBP120	-	-
LB-CH-75-20-C-XX					C	1.5	SF/NF	-	-
LB-CH-75-25-A				25	A	1.15	FBP120	-	-
LB-CH-75-25-C-XX					C	1.5	SF/NF	-	-
LB-CH-62-15-A	12.4-18.0	WR62	Linear	15	A	1.15	FBP140	-	-
LB-CH-62-15-C-XX					C	1.5	SF/NF	-	-
LB-CH-62-20-A				20	A	1.15	FBP140	-	-
LB-CH-62-20-C-XX					C	1.5	SF/NF	-	-
LB-CH-62-25-A				25	A	1.15	FBP140	-	-
LB-CH-62-25-C-XX					C	1.5	SF/NF	-	-

Model	Freq. (GHz)	WG	Pol.	Gain (dB) Typ.	Figure	VSWR Typ.	Output	Size(mm)	
								Length	Aperture Diameter
LB-CH-51-15-A	15.0-22.0	WR51	Linear	15	A	1.2	FBP180	-	-
LB-CH-51-15-C-XX					C	1.5	SF	-	-
LB-CH-51-20-A				20	A	1.2	FBP180	-	-
LB-CH-51-20-C-XX					C	1.5	SF	-	-
LB-CH-51-25-A				25	A	1.2	FBP180	-	-
LB-CH-51-25-C-XX					C	1.5	SF	-	-
LB-CH-42-15-A	18.0-26.5	WR42	Linear	15	A	1.2	FBP220	-	-
LB-CH-42-15-C-XX					C	1.5	SF/KF/3.5F	-	-
LB-CH-42-20-A				20	A	1.2	FBP220	-	-
LB-CH-42-20-C-XX					C	1.5	SF/KF/3.5F	-	-
LB-CH-42-25-A				25	A	1.2	FBP220	-	-
LB-CH-42-25-C-XX					C	1.5	SF/KF/3.5F	-	-
LB-CH-34-15-A	22.0-33.0	WR34	Linear	15	A	1.2	FBP260	-	-
LB-CH-34-15-C-XX					C	1.5	KF	-	-
LB-CH-34-20-A				20	A	1.2	FBP260	-	-
LB-CH-34-20-C-XX					C	1.5	KF	-	-
LB-CH-34-25-A				25	A	1.2	FBP260	-	-
LB-CH-34-25-C-XX					C	1.5	KF	-	-
LB-CH-28-15-A	26.5-40.0	WR28	Linear	15	A	1.2	FBP320	-	-
LB-CH-28-15-C-XX					C	1.5	KF/2.4F	-	-
LB-CH-28-20-A				20	A	1.2	FBP320	-	-
LB-CH-28-20-C-XX					C	1.5	KF/2.4F	-	-
LB-CH-28-25-A				25	A	1.2	FBP320	-	-
LB-CH-28-25-C-XX					C	1.5	KF/2.4F	-	-
LB-CH-22-15-A	33.0-50.0	WR22	Linear	15	A	1.2	FUGP400	-	-
LB-CH-22-15-C-XX					C	1.5	2.4F	-	-
LB-CH-22-20-A				20	A	1.2	FUGP400	-	-
LB-CH-22-20-C-XX					C	1.5	2.4F	-	-
LB-CH-22-25-A				25	A	1.2	FUGP400	-	-
LB-CH-22-25-C-XX					C	1.5	2.4F	-	-
LB-CH-19-15-A	40.0-60.0	WR19	Linear	15	A	1.2	FUGP500	-	-
LB-CH-19-15-C-XX					C	1.5	1.85F	-	-
LB-CH-19-20-A				20	A	1.2	FUGP500	-	-
LB-CH-19-20-C-XX					C	1.5	1.85F	-	-
LB-CH-19-25-A				25	A	1.2	FUGP500	-	-
LB-CH-19-25-C-XX					C	1.5	1.85F	-	-

Model	Freq. (GHz)	WG	Pol.	Gain (dB) Typ.	Figure	VSWR Typ.	Output	Size(mm)	
								Length	Aperture Diameter
LB-CH-15-15-A	50.0-75.0	WR15	Linear	15	A	1.2	FUGP620	-	-
LB-CH-15-15-C-XX					C	1.5	1.85F	-	-
LB-CH-15-C20	59.0-67.0		Linear	15	A	1.5	FUGP620	-	-
LB-CH-15-C21			LHCP	15	A	1.5	FUGP620	-	-
LB-CH-15-C22			RHCP	15	A	1.5	FUGP620	-	-
LB-CH-15-20-A	50.0-75.0		Linear	20	A	1.2	FUGP620	-	-
LB-CH-15-20-C-XX					C	1.5	1.85F	-	-
LB-CH-15-25-A	50.0-75.0		Linear	25	A	1.2	FUGP620	-	-
LB-CH-15-25-C-XX					C	1.5	1.85F	-	-
LB-CH-15-C10	59.0-67.0		Linear	25	A	1.2	FUGP620	119.2	42.3
LB-CH-15-C11			LHCP	25	A	1.3	FUGP620	119.2	42.3
LB-CH-15-C12			RHCP	25	A	1.3	FUGP620	119.2	42.3
LB-CH-12-15-A	60.0-90.0	WR12	Linear	15	A	1.5	FUGP740	-	-
LB-CH-12-20-A			Linear	20	A	1.5	FUGP740	-	-
LB-CH-12-25-A			Linear	25	A	1.5	FUGP740	-	-
LB-CH-10-15-A	75.0-110.0	WR10	Linear	15	A	1.5	FUGP900	-	-
LB-CH-10-20-A			Linear	20	A	1.5	FUGP900	-	-
LB-CH-10-25-A			Linear	25	A	1.5	FUGP900	-	-

Corrugated Conical Horn Antenna 8.2~12.4GHz

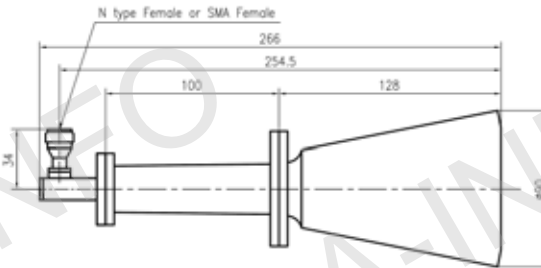
P/N: LB-CH-90-15



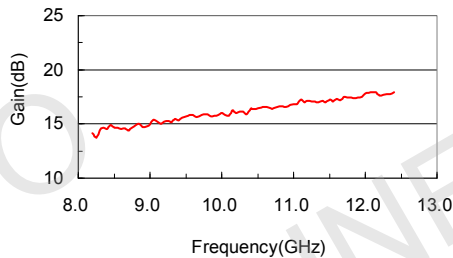
Technical Specification

Polarization	Linear
Frequency Range(GHz)	8.2 - 12.4
Gain(dB)	15 Typ.
VSWR	A Type:1.15 Typ./ C Type:1.5 Typ.
Cross Pol. Isolation(dB)	-40 Typ.
Material	Al
Output	A Type: FBP100 / C Type: N-F or SMA-F
Size(mm)	A Type: Φ90 x 228 C Type: Φ90 x 266
Net Weight(Kg)	A Type: 0.7 /C Type: 0.8 Around

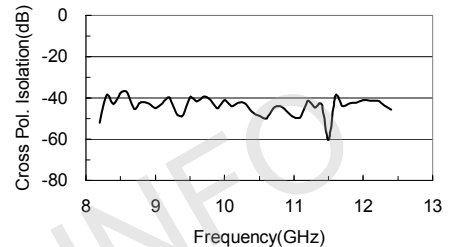
Outline Drawing (Size: mm)



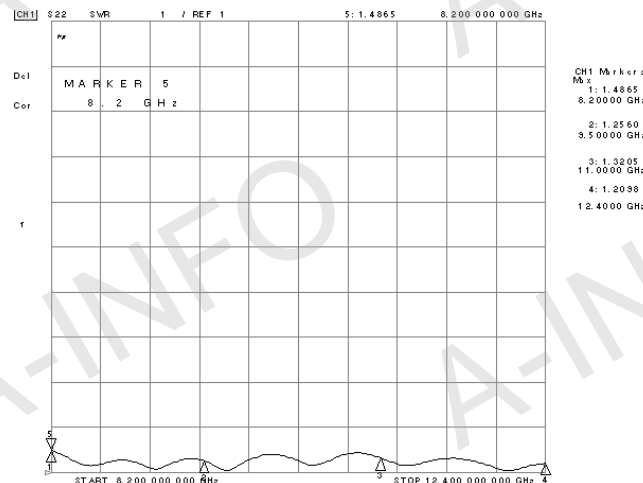
Gain



Cross Polarization Isolation



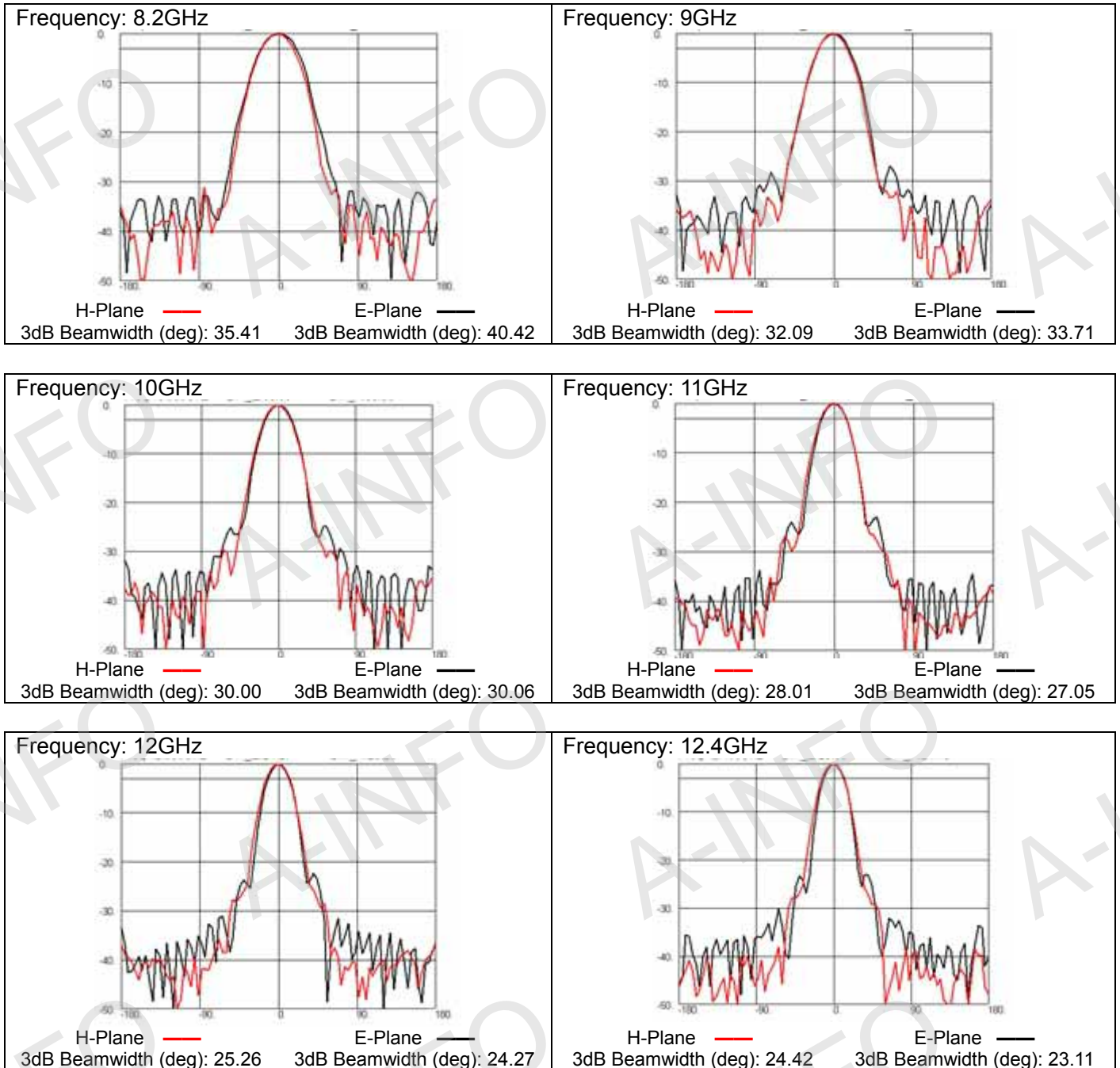
VSWR



Corrugated Conical Horn Antenna 8.2-12.4GHz(continued)

P/N: LB-CH-90-15

Pattern



Corrugated Conical Horn Antenna 8.2~12.4GHz

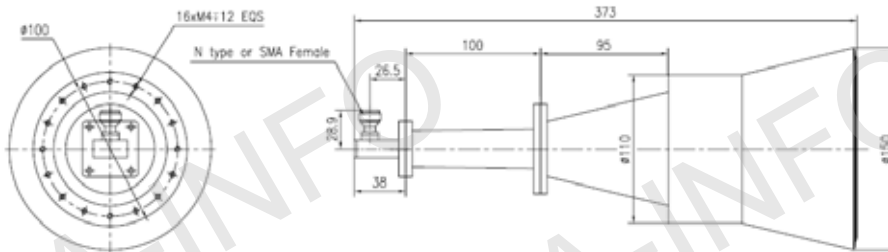
P/N: LB-CH-90-20



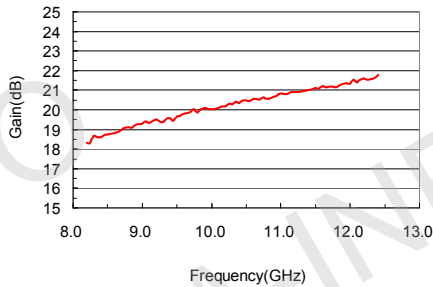
Technical Specification

Polarization	Linear
Frequency Range(GHz)	8.2 - 12.4
Gain(dB)	20 Typ.
VSWR	A Type:1.15 Typ./C Type:1.5 Typ.
Cross Pol. Isolation(dB)	-40 Typ.
Material	Al
Output	A Type: FBP100 / C Type: N-F or SMA-F
Size(mm)	A Type: Φ150 x 335 C Type: Φ150 x 373
Net Weight(Kg)	A Type: 0.7 /C Type: 0.8 Around

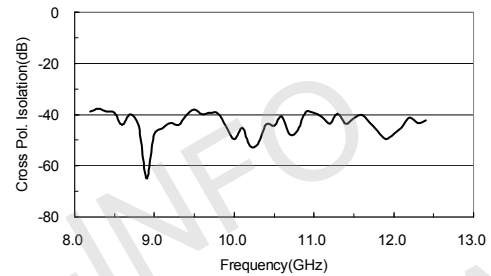
Outline Drawing (Size: mm)



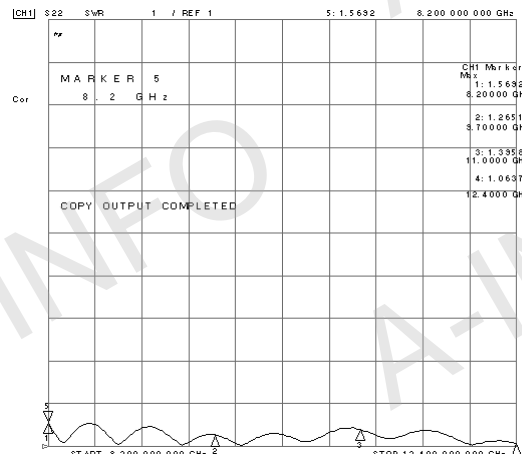
Gain



Cross Polarization Isolation



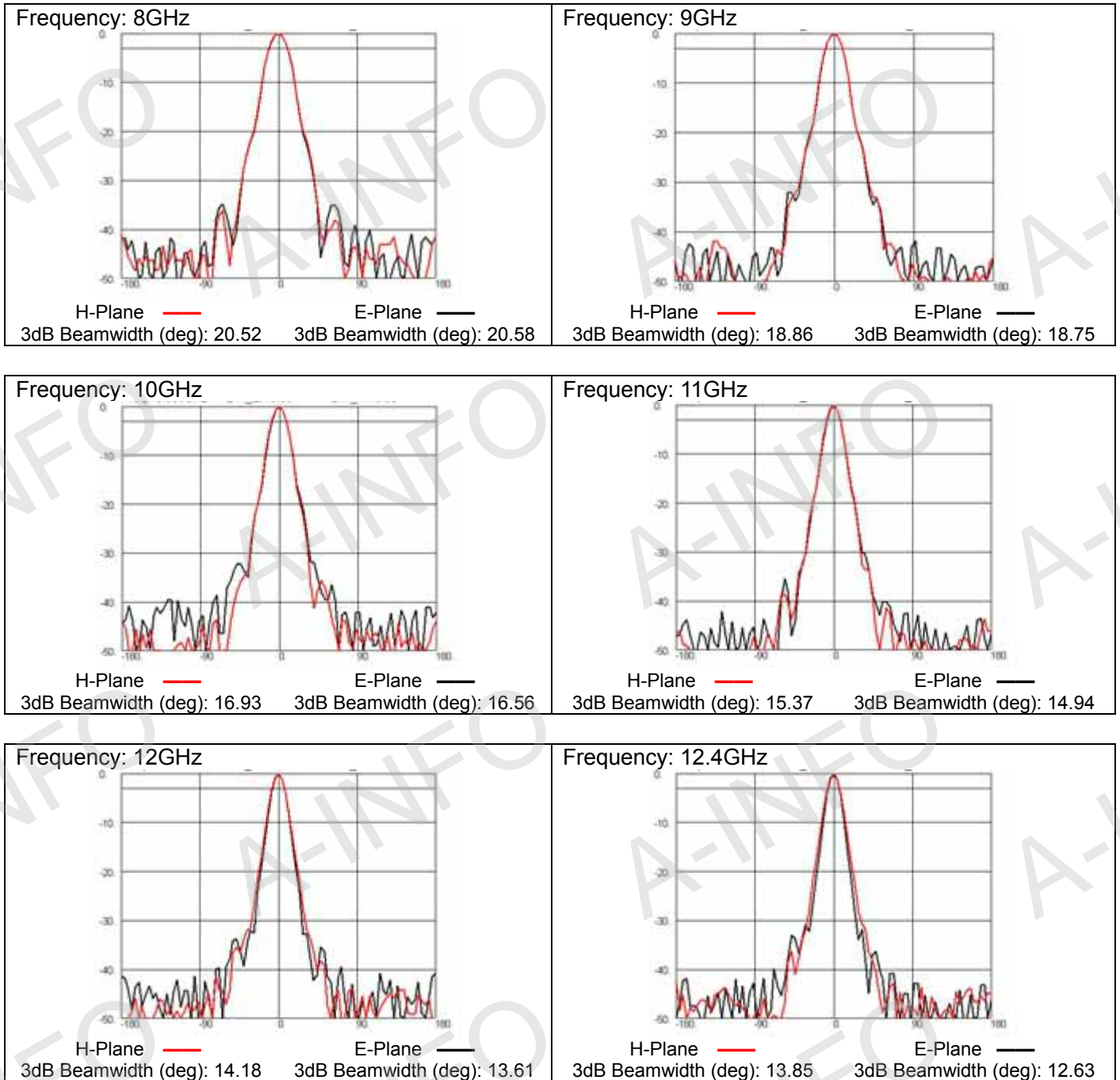
VSWR



Corrugated Conical Horn Antenna 8.2-12.4GHz(continued)

P/N: LB-CH-90-20

Pattern



Corrugated Conical Horn Antenna 59-67GHz

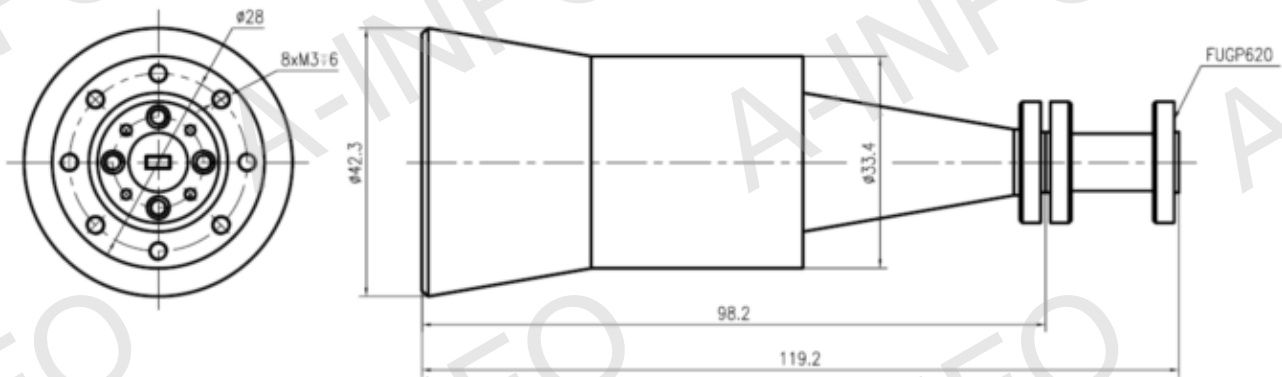
P/N: LB-CH-15-C10



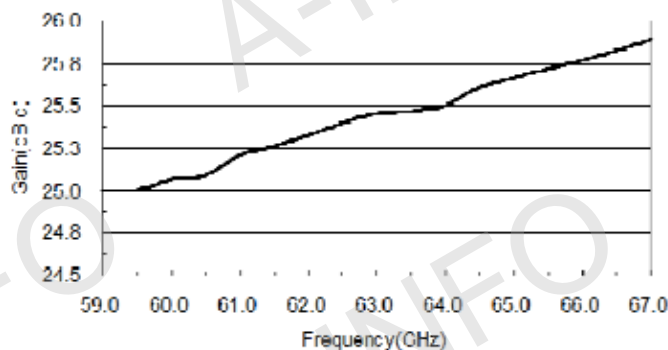
Technical Specification

Polarization	Linear
Frequency Range(GHz)	59-67
Gain(dBic)	25 Typ.
Side Lobe(dB)	-30 Typ.
VSWR	1.2 Typ.
Waveguide	WR15
Output	FUGP620
Material	Cu
Size(mm)	Φ42.3 x 119.2 Approx.
Net Weight(Kg)	0.25 Around

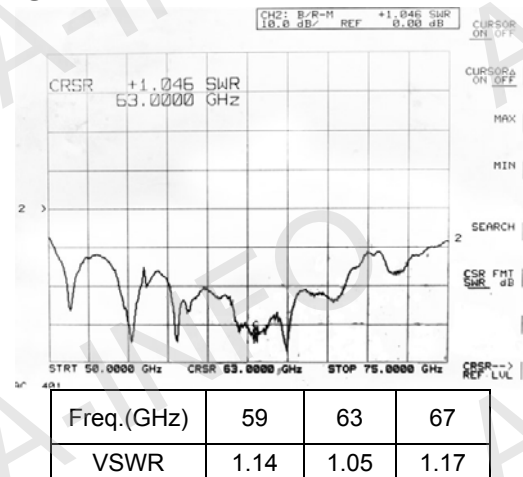
Outline Drawing (Size: mm)



Gain



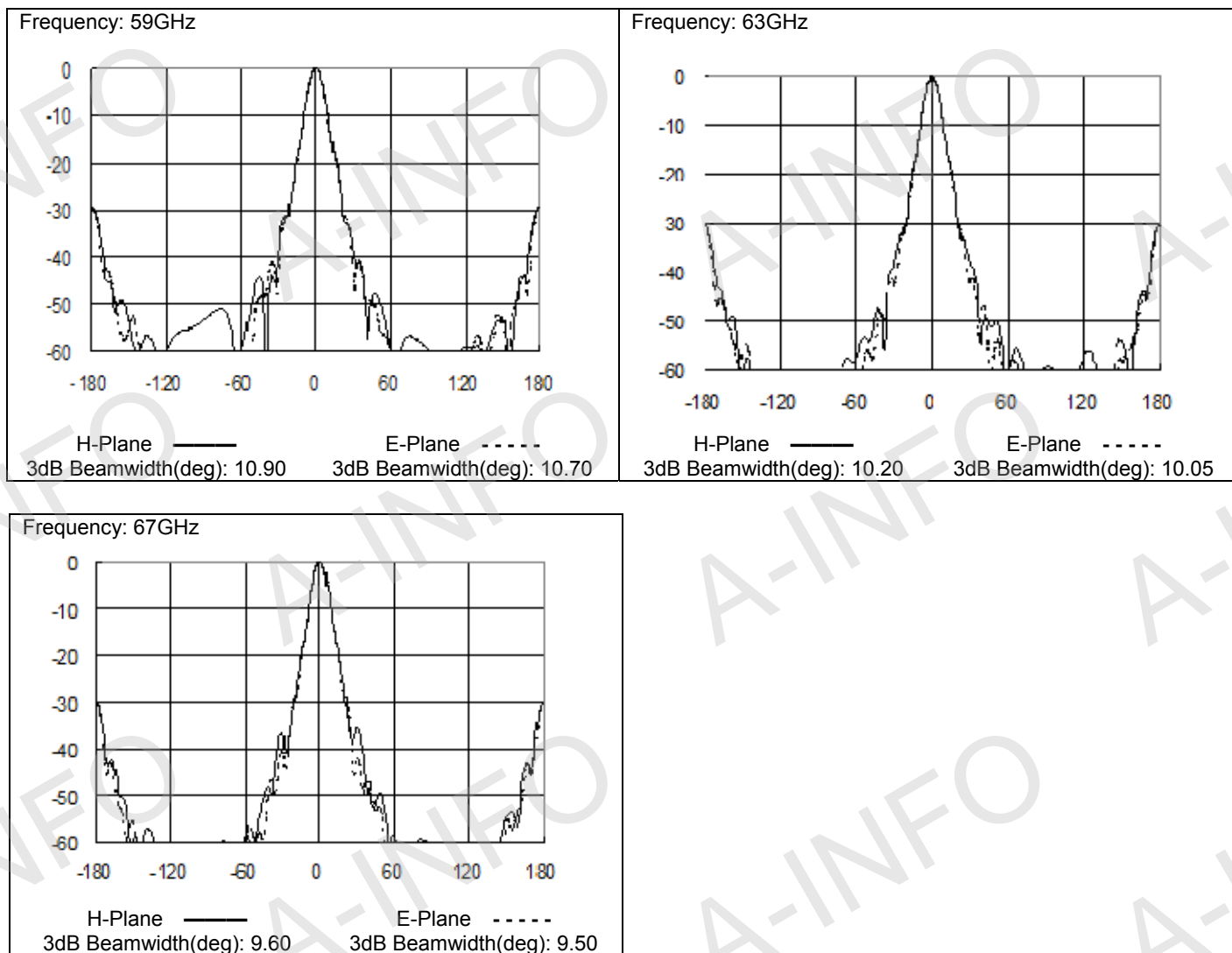
VSWR



Corrugated Conical Horn Antenna 59-67GHz(continued)

P/N: LB-CH-15-C10

Pattern



Corrugated Conical Horn Antenna 59-67GHz

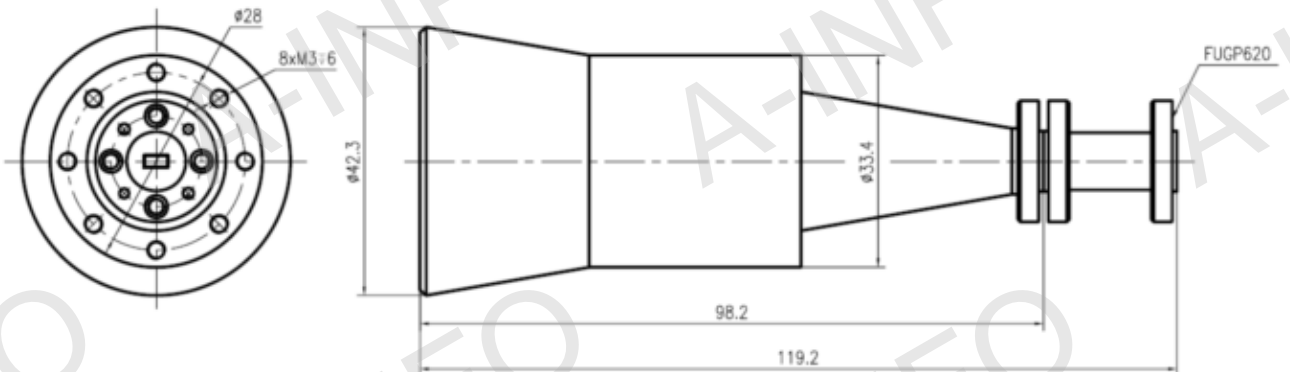
P/N: LB-CH-15-C11



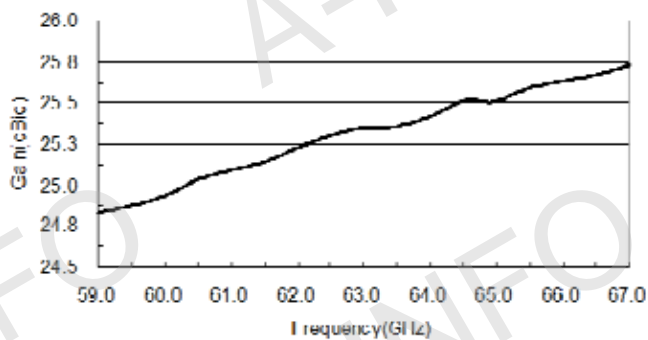
Technical Specification

Polarization	LHCP
Frequency Range(GHz)	59-67
Gain(dBic)	25 Typ.
Side Lobe(dB)	-30 Typ.
VSWR	1.3 Typ.
Axial Ratio(dB)	2.0 Typ.
Output	FUGP620
Material	Cu
Size(mm)	Φ42.3 x 119.2 Approx.
Net Weight(Kg)	0.25 Around

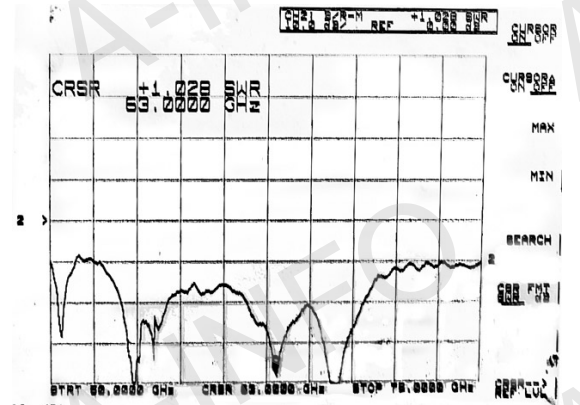
Outline Drawing (Size: mm)



Gain



VSWR

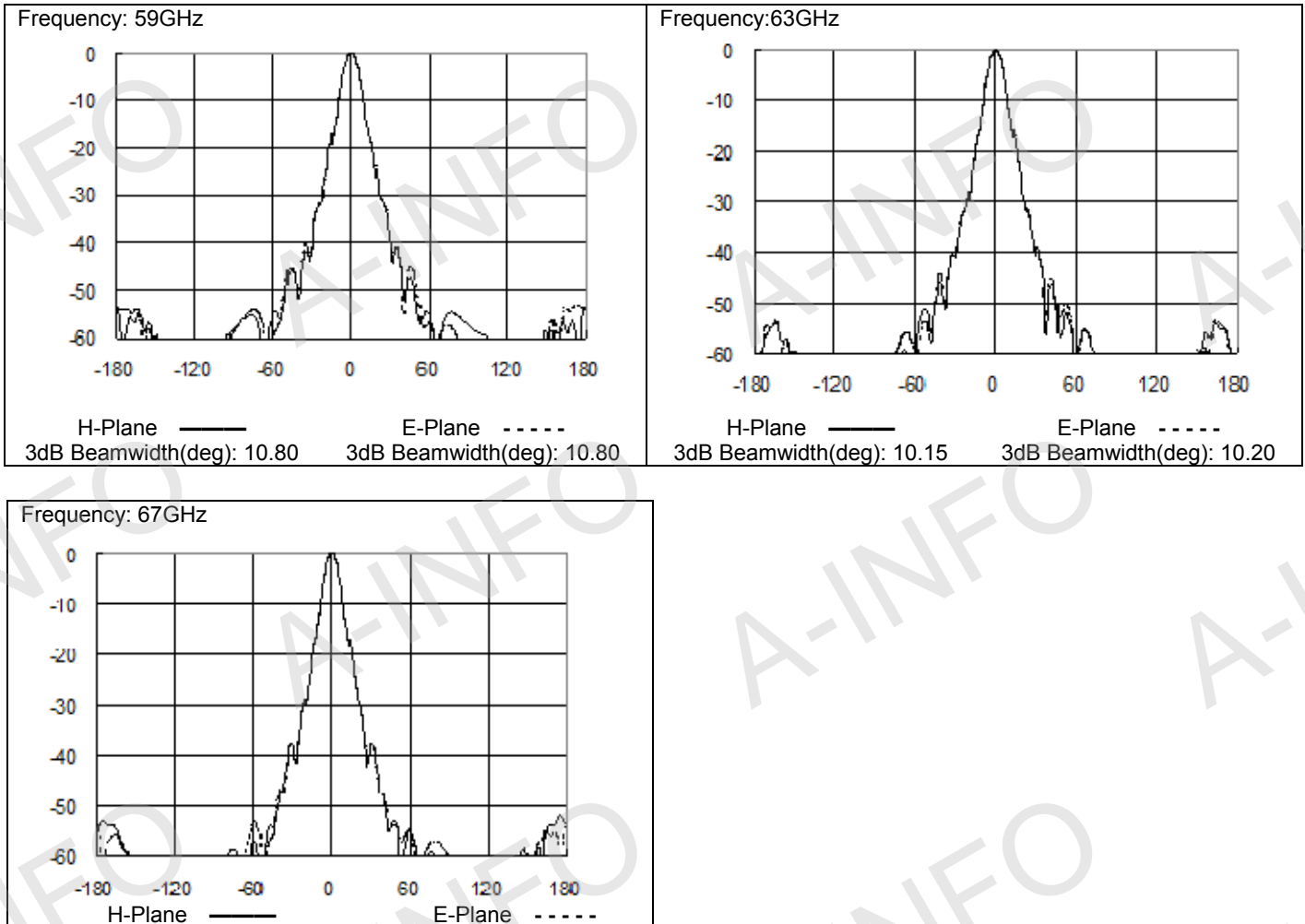


Freq.(GHz)	59	63	67
VSWR	1.31	1.03	1.05

Corrugated Conical Horn Antenna 59-67GHz

P/N: LB-CH-15-C11

Pattern



Lens Horn Antenna



- Applications Include:**

MVDS(Multipoint Video Distribution Systems)	Point to Point Radio Links
LMDS(Local Multipoint Distribution Services)	Vehicle Anti-collision Radars
Traffic Control Systems	Traffic Tolling Systems
Secure Communications Systems	Short Range Radar
Electro-Magnetic Compatibility(EMC) Measurements	Radiation Monitoring Systems
Compact/Mobile Systems	Dual Polarized Systems

- Features**

Models up to 112GHz	Linear, dual and circular polarization
Optional Protective membrane	Rectangular or circular feed
Ideally suited for small and large quantities	Choice of mounting configurations
Customization available	Choice of waveguide to coaxial adapter http://www.ainfoinc.com/en/p_wr_wca.asp

Model Information		Example Part Number: LB-CL -112 -10 -C -SF			
Product Code					
Waveguide Size: WR112 - WR10					
Frequency & Gain Code					
Figure Type:					
-A: Waveguide Output					
-C: Coaxial Output. Connector type below needs to be specified					
Figure C Connector Type Option:					
7/16F=7/16 DIN Female;					
NF=N Type-Female; NM=N Type-Male;					
SF=SMA-Female; SM=SMA-Male;					
3.5F=3.5mm-Female; 3.5M=3.5mm-Male;					
KF=2.92mm-Female; KM=2.92mm-Male;					
2.4F=2.4mm-Female; 2.4M=2.4mm-Male;					
1.85F=1.85mm-Female; 1.85M=1.85mm-Male					

For detailed test data, pls. Log on www.ainfoinc.com – Antenna – Lens Horn Antenna and download.

Model	Frequency (GHz)	WR	Pol.	Gain (dB)	VSWR Max	Figure	Nominal 3dB Beamwidth (°)		Dia- meter (mm)	Output
							E- Plane	H- Plane		
LB-CL-112-10-A	7.9-8.5	WR112	Linear	20.5	1.5	A	14.9	17.4	150	FBP84
LB-CL-112-10-C-XX				20.5	2.0	C	14.9	17.4	150	NF/SF
LB-CL-112-20-A	7.9-8.5	WR112	Linear	25.0	1.5	A	9.0	10.5	250	FBP84
LB-CL-112-20-C-XX				25.0	2.0	C	9.0	10.5	250	NF/SF
LB-CL-90-10-A	8.0-8.5	WR90	Linear	20.5	1.5	A	15.0	17.4	150	FBP100
LB-CL-90-10-C-XX				20.5	2.0	C	15.0	17.4	150	SF/NF
LB-CL-90-20-A	8.0-10.5	WR90	Linear	21.5	1.5	A	13.3	15.5	150	FBP100
LB-CL-90-20-C-XX				21.5	2.0	C	13.3	15.5	150	SF/NF
LB-CL-90-30-A	10.0-15.0	WR90	Linear	22.5	1.5	A	12.0	14.0	150	FBP100
LB-CL-90-30-C-XX				22.5	2.0	C	12.0	14.0	150	SF/NF
LB-CL-75-10-A	12.4-12.8	WR75	Linear	24.5	1.5	A	9.7	11.3	150	FBP120
LB-CL-75-10-C-XX				24.5	2.0	C	9.7	11.3	150	SF/NF
LB-CL-62-10-A	15.2-16.0	WR62	Linear	26.0	1.5	A	7.9	9.2	150	FBP140
LB-CL-62-10-C-XX				26.0	2.0	C	7.9	9.2	150	SF/NF
LB-CL-62-20-A	16.4-17.6	WR62	Linear	27.0	1.5	A	7.2	8.4	150	FBP140
LB-CL-62-20-C-XX				27.0	2.0	C	7.2	8.4	150	SF/NF
LB-CL-42-10-A	17.7-19.7	WR42	Linear	24.5	1.5	A	9.1	10.7	100	FBP220
LB-CL-42-10-C-XX				24.5	2.0	C	9.1	10.7	100	SF/KF/3.5F

Model	Frequency (GHz)	WR	Pol.	Gain (dB)	VSWR Max	Figure	Nominal 3dB Beamwidth (°)		Diameter (mm)	Output
							E-Plane	H-Plane		
LB-CL-42-20-A	17.7-19.7	WR42	Linear	29.0	1.5	A	5.2	6.1	175	FBP220
LB-CL-42-20-C-XX				29.0	2.0	C	5.2	6.1	175	SF/KF/3.5F
LB-CL-42-30-A	17.7-19.7	WR42	Linear	32.4	1.5	A	3.7	4.3	250	FBP220
LB-CL-42-30-C-XX				32.4	2.0	C	3.7	4.3	250	SF/KF/3.5F
LB-CL-42-40-A	21.2-23.6	WR42	Linear	26.0	1.5	A	7.8	9.1	100	FBP220
LB-CL-42-40-C-XX				26.0	2.0	C	7.8	9.1	100	SF/KF/3.5F
LB-CL-42-50-A	21.2-23.6	WR42	Linear	27.5	1.5	A	6.2	7.2	125	FBP220
LB-CL-42-50-C-XX				27.5	2.0	C	6.2	7.2	125	SF/KF/3.5F
LB-CL-42-60-A	21.2-23.6	WR42	Linear	29.3	1.5	A	5.3	6.1	150	FBP220
LB-CL-42-60-C-XX				29.3	2.0	C	5.3	6.1	150	SF/KF/3.5F
LB-CL-42-70-A	21.2-23.6	WR42	Linear	33.5	1.5	A	3.1	3.6	250	FBP220
LB-CL-42-70-C-X				33.5	2.0	C	3.1	3.6	250	SF/KF/3.5F
LB-CL-42-80-A	21.2-26.5	WR42	Linear	34.5	1.5	A	3.0	3.5	294	FBP220
LB-CL-42-80-C-XX				34.5	2.0	C	3.0	3.5	294	SF/KF/3.5F
LB-CL-28-10-A	27.5-29.5	WR28	Linear	31.5	1.5	A	4.1	4.7	150	FBP320
LB-CL-28-10-C-XX				31.5	2.0	C	4.1	4.7	150	KF/2.4F
LB-CL-28-20-A	27.5-29.5	WR28	Linear	36.0	1.5	A	2.4	2.8	250	FBP320
LB-CL-28-20-C-XX				36.0	2.0	C	2.4	2.8	250	KF/2.4F
LB-CL-28-30-A	31.0-31.8	WR28	Linear	32.0	1.5	A	3.9	4.6	150	FBP320
LB-CL-28-30-C-XX				32.0	2.0	C	3.9	4.6	150	KF/2.4F
LB-CL-28-C20	35.0-35.2	WR28	LHCP	28.0	1.3	-	4.8	6.5	119	Customized
LB-CL-28-40-A	37.5-39.5	WR28	Linear	34.0	1.5	A	3.1	3.7	150	FBP320
LB-CL-28-40-C-XX				34.0	2.0	C	3.1	3.7	150	KF/2.4F
LB-CL-28-50-A	37.5-39.5	WR28	Linear	38.5	1.5	A	1.8	2.1	250	FBP320
LB-CL-28-50-C-XX				38.5	2.0	C	1.8	2.1	250	KF/2.4F
LB-CL-19-10-A	40.5-42.5	WR19	Linear	34.5	1.5	A	2.8	3.2	150	FUGP500
LB-CL-19-10-C-XX				34.5	2.0	C	2.8	3.2	150	1.85F
LB-CL-15-10-A	54.2-57.2	WR15	Linear	36.0	1.5	A	2.4	2.8	130	FUGP600
LB-CL-15-10-C-XX				36.0	2.0	C	2.4	2.8	130	1.85F
LB-CL-15-20-A	54.2-57.2	WR15	Linear	38.5	1.5	A	1.8	2.1	175	FUGP600
LB-CL-15-20-C-XX				38.5	2.0	C	1.8	2.1	175	1.85F
LB-CL-15-30-A	57.2-58.2	WR15	Linear	36.5	1.5	A	2.4	2.9	130	FUGP600
LB-CL-15-30-C-XX				36.5	2.0	C	2.4	2.9	130	1.85F
LB-CL-15-40-A	57.2-58.2	WR15	Linear	37.5	1.5	A	2.1	2.5	150	FUGP600
LB-CL-15-40-C-XX				37.5	2.0	C	2.1	2.5	150	1.85F
LB-CL-15-50-A	57.2-58.2	WR15	Linear	42.0	1.5	A	1.2	1.4	250	FUGP600
LB-CL-15-50-C-XX				42.0	2.0	C	1.2	1.4	250	1.85F
LB-CL-15-60-A	59.0-64.0	WR15	Linear	34.5	1.5	A	2.9	3.4	100	FUGP600
LB-CL-15-60-C-XX				34.5	2.0	C	2.9	3.4	100	1.85F
LB-CL-12-10-A	75.0-80.0	WR12	Linear	40.0	1.5	A	1.6	1.8	150	FUGP740
LB-CL-12-20-A	75.0-80.0	WR12	Linear	42.5	1.5	A	1.2	1.4	200	FUGP740
LB-CL-10-10-A	93.5-95.5	WR10	Linear	46.5	1.5	A	0.8	0.9	250	FUGP900

Lens Horn Antenna 21.2~26.5GHz

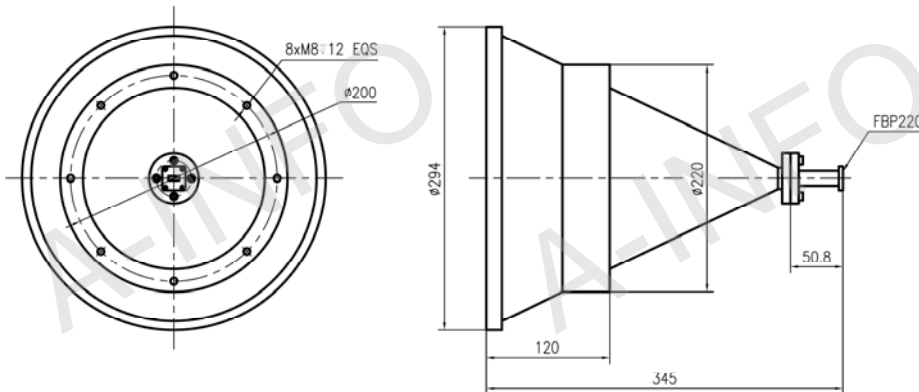
P/N: LB-CL-42-80



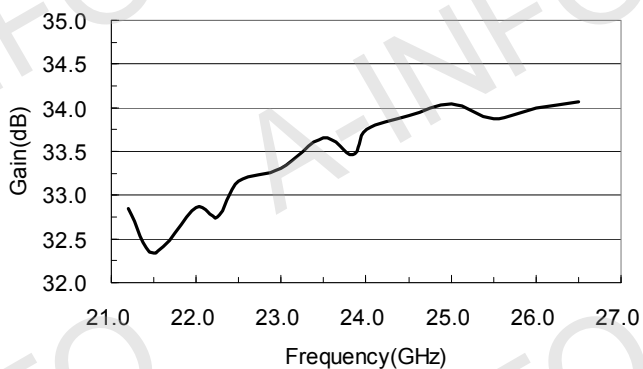
Technical Specification

Frequency Range(GHz)	21.2 - 26.5
Gain(dB)	34.5 Typ.
Polarization	Linear
VSWR	1.5 Max
3dB Beamwidth (deg)	E: 3.0 H: 3.5
Waveguide	WR42
Output	A Type: FBP220 / C Type: 2.92-F or SMA-F
Size(mm)	Φ294 x 345
Net Weight(Kg)	6.6 Around

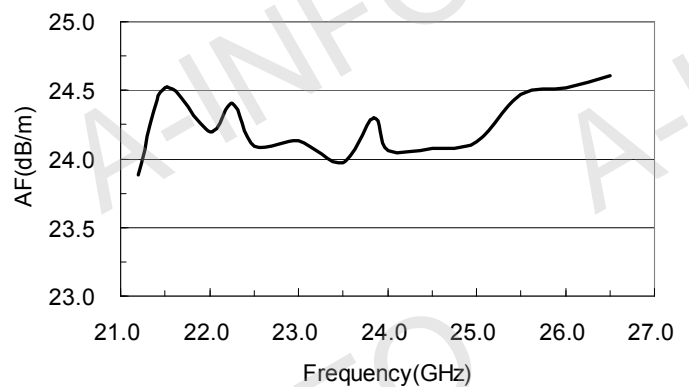
Outline Drawing (Size:mm)



Gain



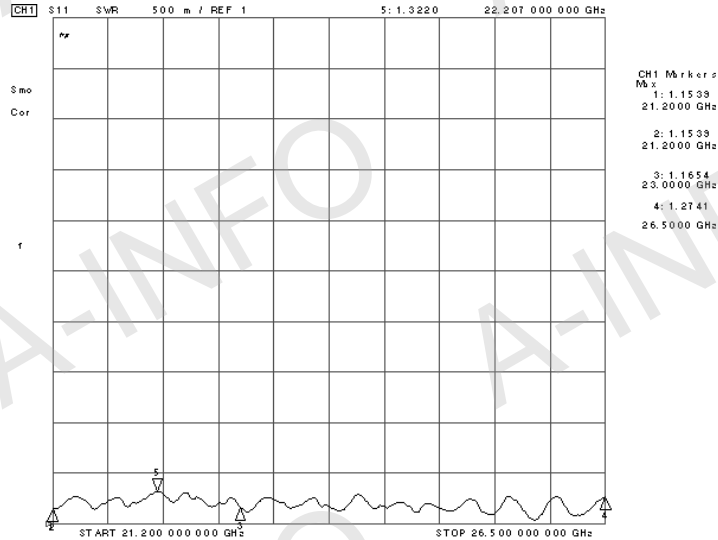
Antenna Factor



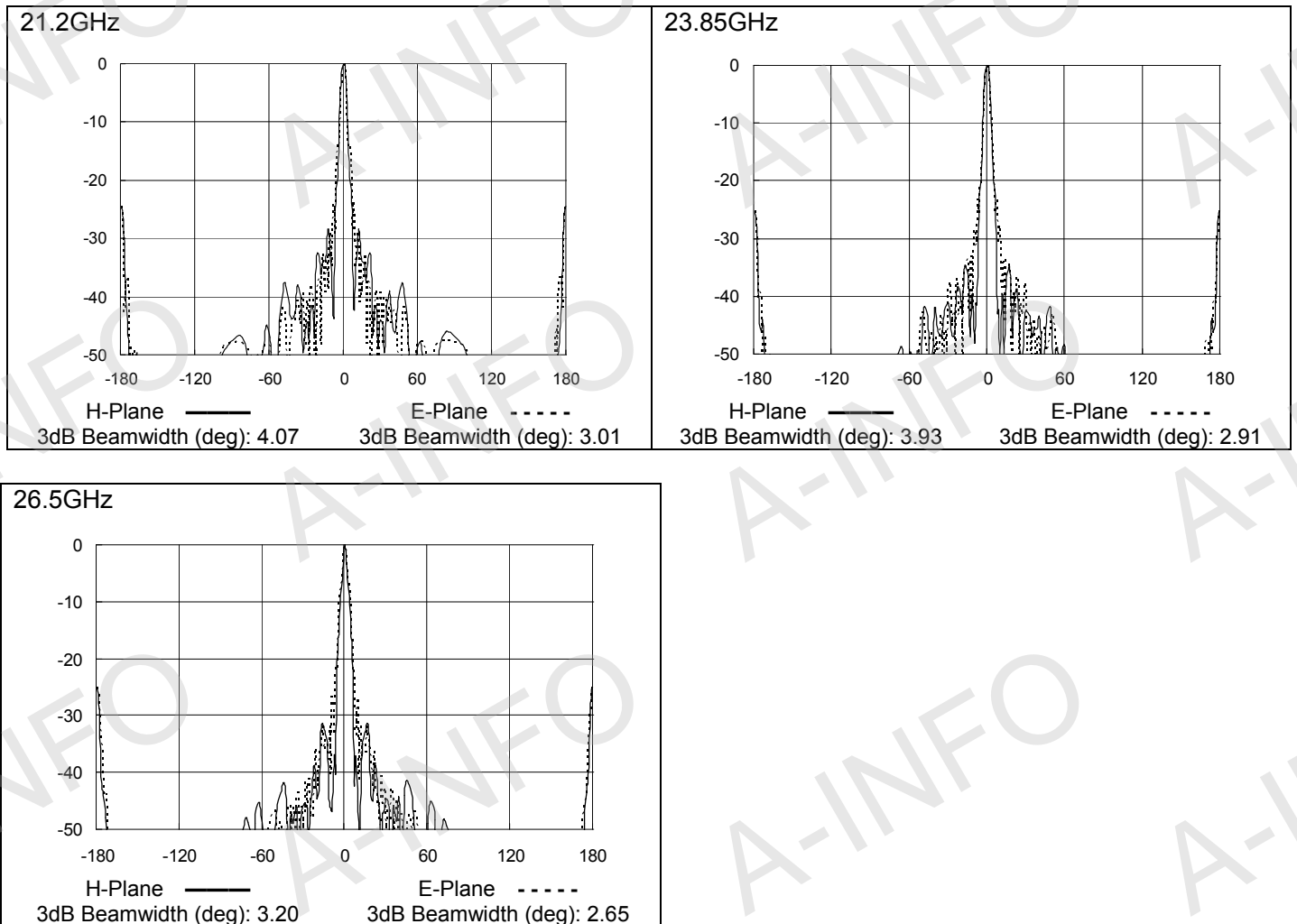
Lens Horn Antenna 21.2~26.5GHz(continued)

P/N: LB-CL-42-80

VSWR



Pattern



Lens Horn Antenna 35.0~35.2GHz

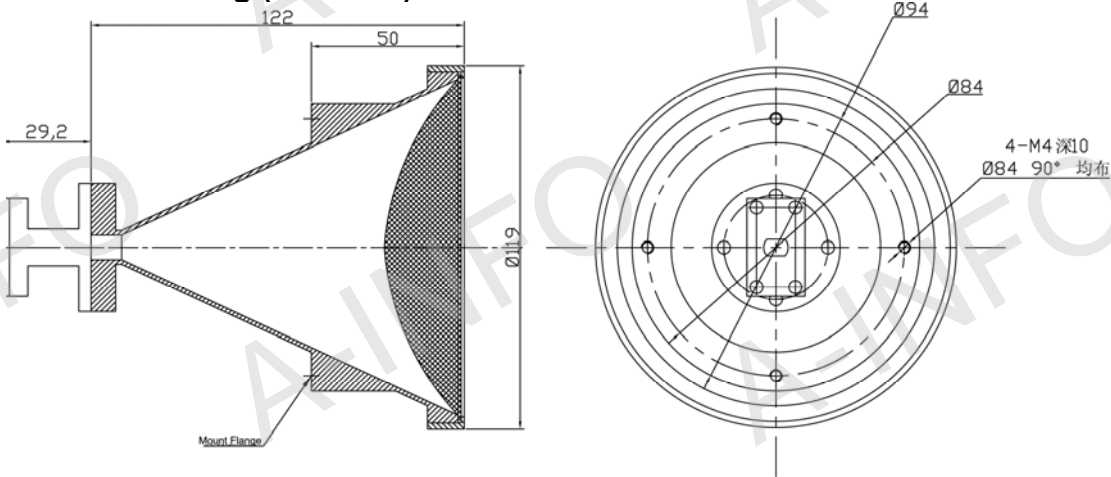
P/N: LB-CL-28-C20



Technical Specification

Polarization	LHCP
Frequency(GHz)	35.0-35.2
Gain (dB)	28 Typ.
VSWR	1.3 :1 Typ.
Flange	Customized
Size(mm)	Φ119x151.2
Net Weight	0.6Kg Approx.

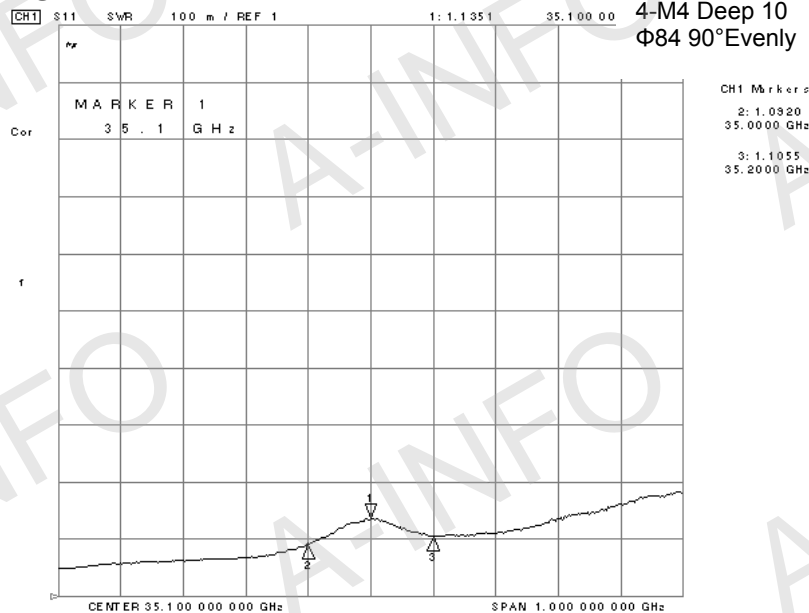
Outline Drawing (Size:mm)



Gain

Frequency(GHz)	Gain(dB)
35.0	29.01
35.1	28.55
35.2	29.40

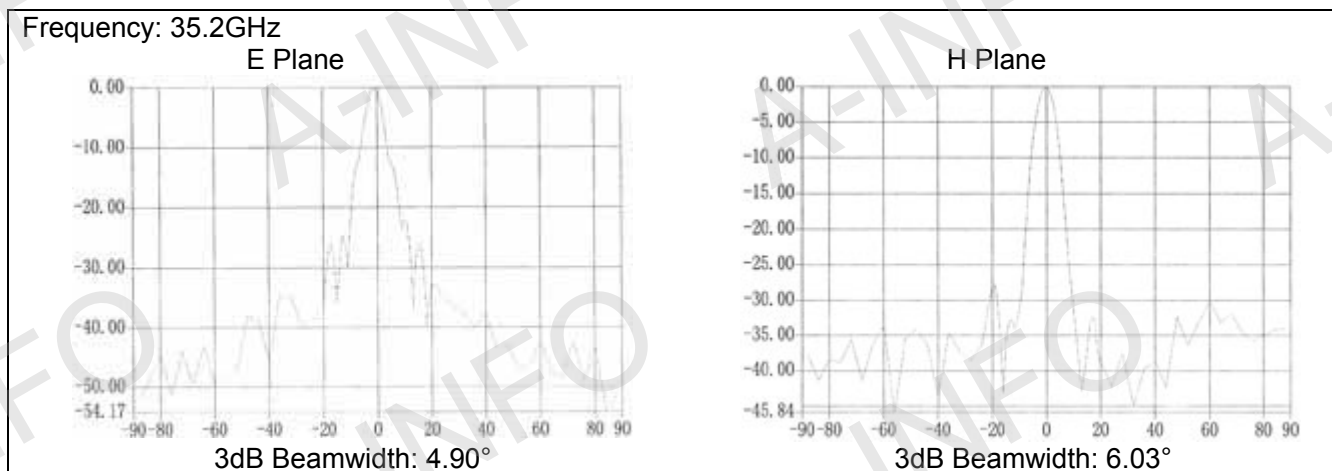
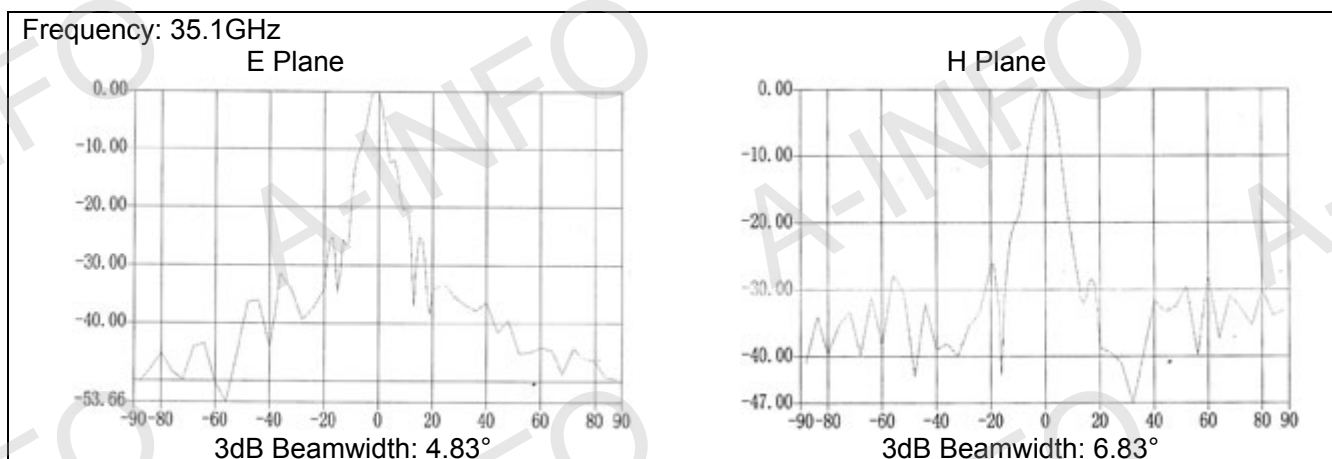
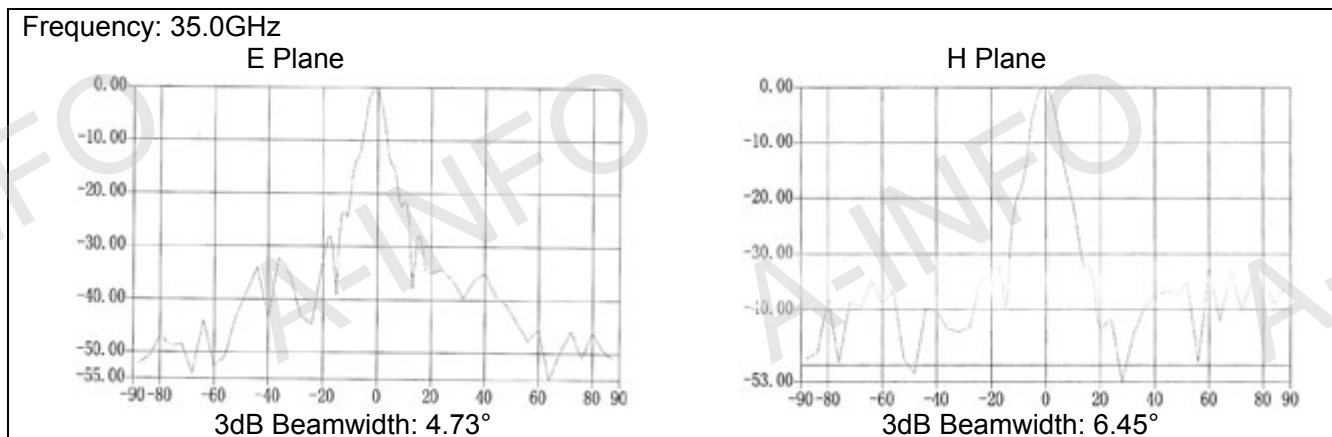
VSWR



Lens Horn Antenna 35.0~35.2GHz(continued)

P/N: LB-CL-28-C20

Pattern



Circular Polarization Horn Antenna



For detailed test data, pls. Log on www.ainfoinc.com – Antenna – Circular Pol. Horn Antenna and download.

Model	Freq. Range (GHz)	Pol.	Gain (dBic) Typ.	VSWR Typ.	Connector	Size (mm)
LB-CP-1020-NF_LHCP	1.0-2.0	LHCP	10	2.0	N-Female	-
LB-CP-1020-NF_RHCP	1.0-2.0	RHCP	10	2.0	N-Female	-
LB-CP-2040-NF_LHCP	2.0-4.0	LHCP	12	2.0 Max	N-Female	Φ170x687
LB-CP-2040-NF_RHCP	2.0-4.0	RHCP	12	2.0 Max	N-Female	Φ170x687
LB-CP-4080-NF_LHCP	4.0-8.0	LHCP	12	2.0 Max	N-Female	Φ69x373.7
LB-CP-4080-NF_RHCP	4.0-8.0	RHCP	12	2.0 Max	N-Female	Φ69x373.7
LB-CP-80180-SF_LHCP	8.0-18.0	LHCP	10	2.5	SMA-Female	-
LB-CP-80180-SF_RHCP	8.0-18.0	RHCP	10	2.5	SMA-Female	-
LB-CP-180400-KF_LHCP	18.0-40.0	LHCP	10	3.0	2.92mm(K)-Female	-
LB-CP-180400-KF_RHCP	18.0-40.0	RHCP	10	3.0	2.92mm(K)-Female	-

Circular Polarization Horn Antenna 2.0~4.0GHz

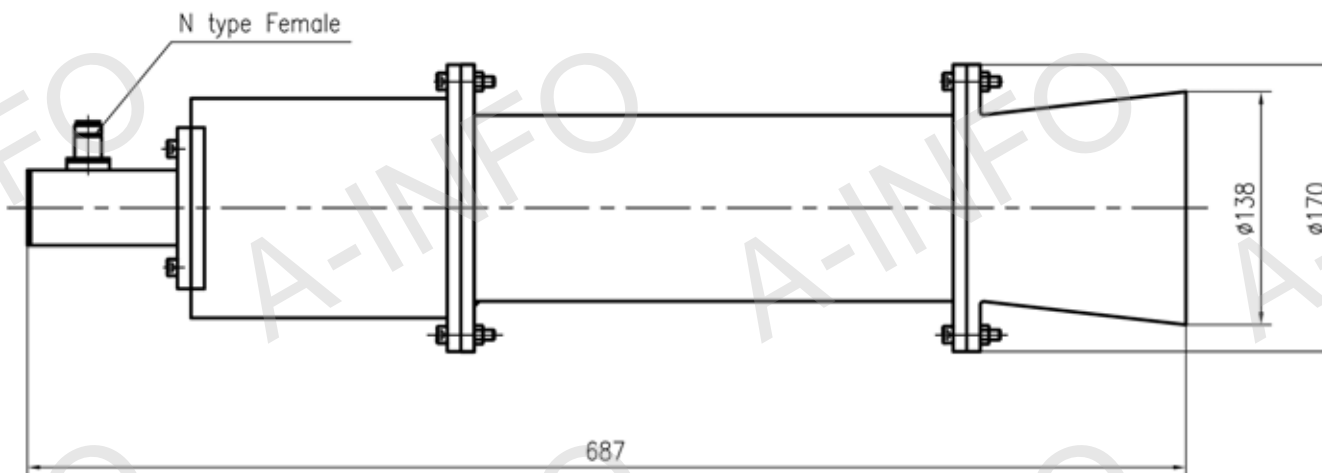
P/N: LB-CP-2040



Technical Specification

Frequency Range(GHz)	2.0 - 4.0
Gain(dBic)	12.0 Typ.
Polarization	LHCP or RHCP
Axial Ratio(dB)	2.0 Typ. 5.0 Max
VSWR	2.0:1 Max
Connector	N-F
Size(mm)	Φ170x687
Net Weight(Kg)	10.0 Around

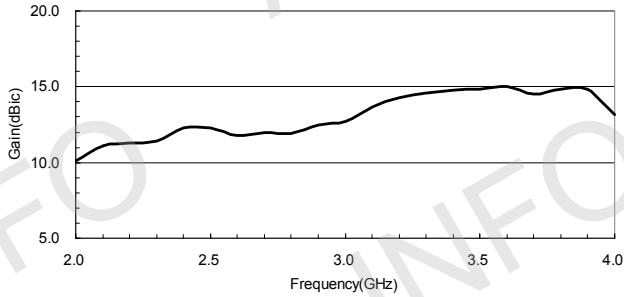
Outline Drawing (Size: mm)



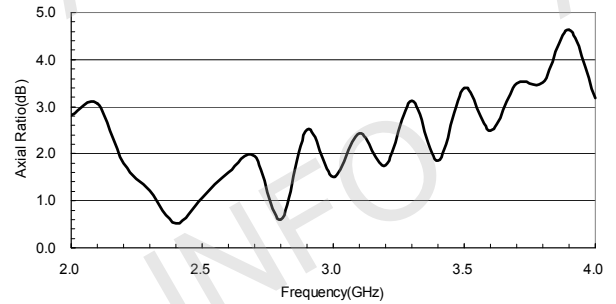
Circular Polarization Horn Antenna 2.0~4.0GHz(continued)

P/N: LB-CP-2040

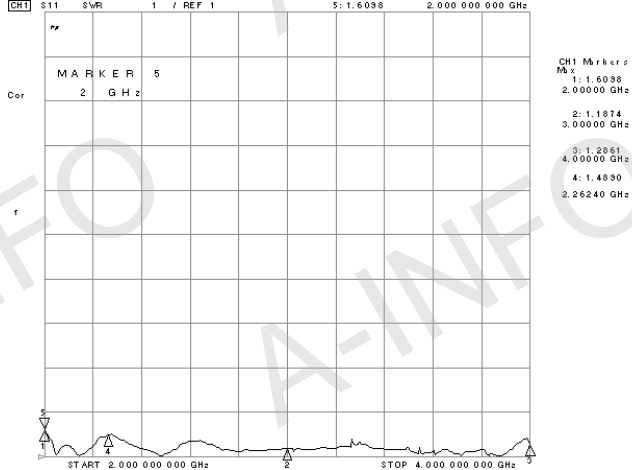
Gain



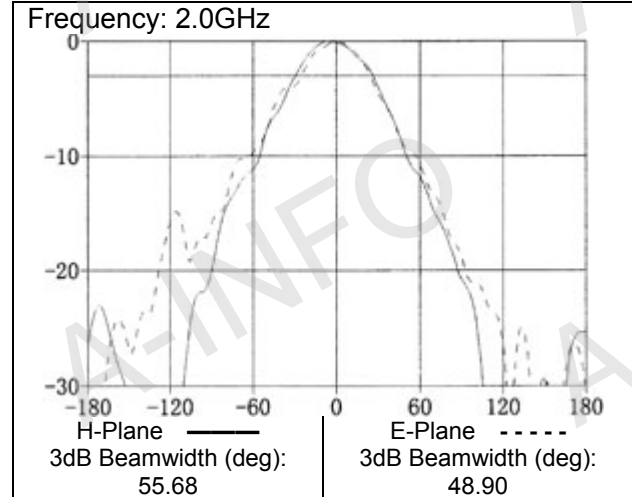
Axial Ratio



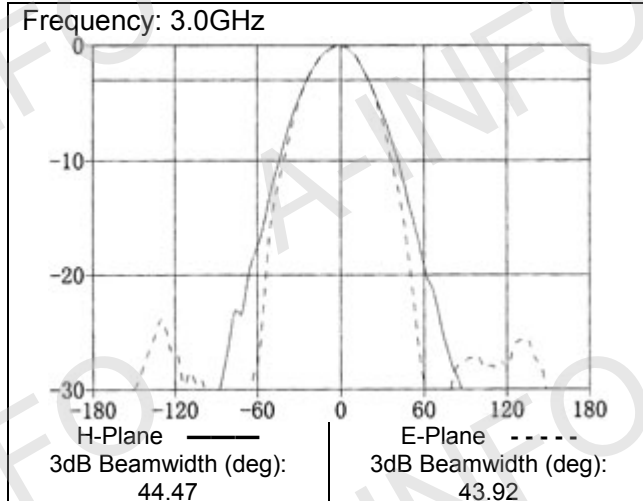
VSWR



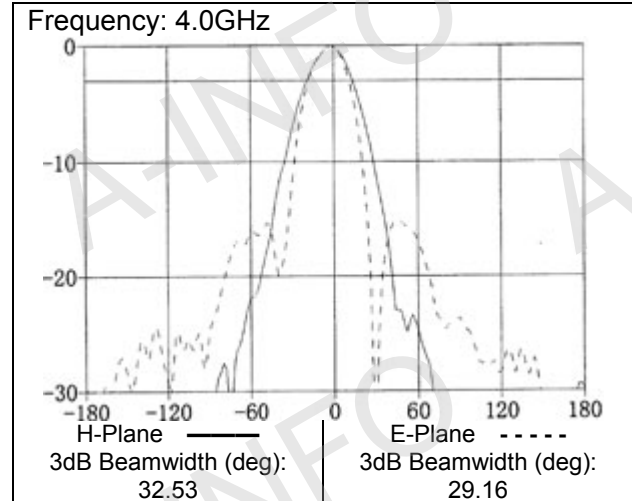
Pattern



Pattern



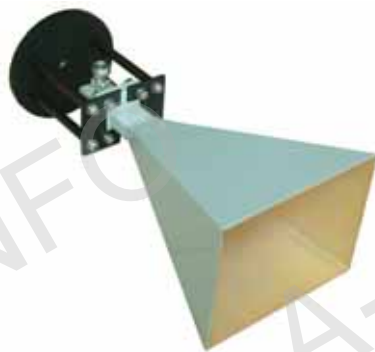
Pattern



Horn Antenna Accessories

Mounting Bracket

1. Round type for C Type Standard Gain Horn Antenna



2. L type for C Type Standard Gain Horn Antenna



3. For Open Boundary Quad-Ridged Horn Antenna



Tripod (For some horn antenna and some other antennas, pls. ask!)

Aluminum Alloy Tripod
(P/N: Tripod_15Kg)



Wooden Tripod
(P/N: 3033HL)



Wooden Tripod
(P/N: 3033QM)



Radome

1. For some Standard Gain Horn Antennas, pls. ask!
(This is LB-187-15-C-NF with Radome.)



2. For some Broadband Horn Antenna, pls. ask!
(This is LB-20180 with Radome.)



Carrying Case (For all horns.Safe,Easy to carry and Convenient for storage.)



Customized Horn Antenna Accessories are available according to detailed requirement.

Cavity Backed Spiral Antenna



Our LX series cavity backed spirals are broadband antennas designed for ECM, surveillance, direction finding, telemetry, and flush mounted airborne applications. These spirals can be used as a separate component antenna or as broadband feeds for reflector Type dish antennas.

ALL LX series spiral antennas exhibit an excellent impedance match and radiation Pattern control over the broad operating bands in a compact and lightweight package. These spirals are ideally suited for amplitude matching and phase or gain tracking. The unit-to-unit uniformity and frequency independent performance is ideal for airborne monitoring receiving systems. ALL cavity backed spirals are available in **RHCP** or **LHCP**. These spirals have been designed to operate in a harsh environment and meet the extremes of the Surroundings Specification.

Also we provide specific frequency spirals antennas according to customers' requirement.

For detailed test data, pls. Log on www.ainfoinc.com – Antenna – Backed Cavity Spiral Antenna and download.

Model	Frequency (GHz)	Gain (dBic) Typ.	Axial Ratio (dB) Max.	VSWR Typ.	Connector	Size (mm)
LX-520	0.5-2	-6	3	1.5:1	SMA-Female	Φ238x93.2
LX-840	0.8-4	0	3	1.5:1	SMA-Female	Φ154x85
LX-1080	1-8	2	3	1.5:1	SMA-Female	Φ120x90
LX-10180	1-18	4	4.5	2.0:1	SMA-Female	Φ120x90
LX-20180	2-18	0	3.5	2.0:1	SMA-Female	Φ61.5x50
LX-20180-FR	2-18	2	3	2.0:1	SMA-Female	Φ66.5x69.4
LX-20180SA	2-18	0	4	2.5:1	SMA-Female	Φ55x50
LX-60180	6-18	0	5	2.0:1	SMA-Female	Φ25 x50
LX-180265	18-26.5	0	3.5	2.0:1	2.92mm-Female	Φ37x34.4
LX-180400	18-40	2	5.5	2.0:1	2.92mm-Female	Φ37x34.4

Cavity Backed Spiral Antenna 0.5~2.0GHz

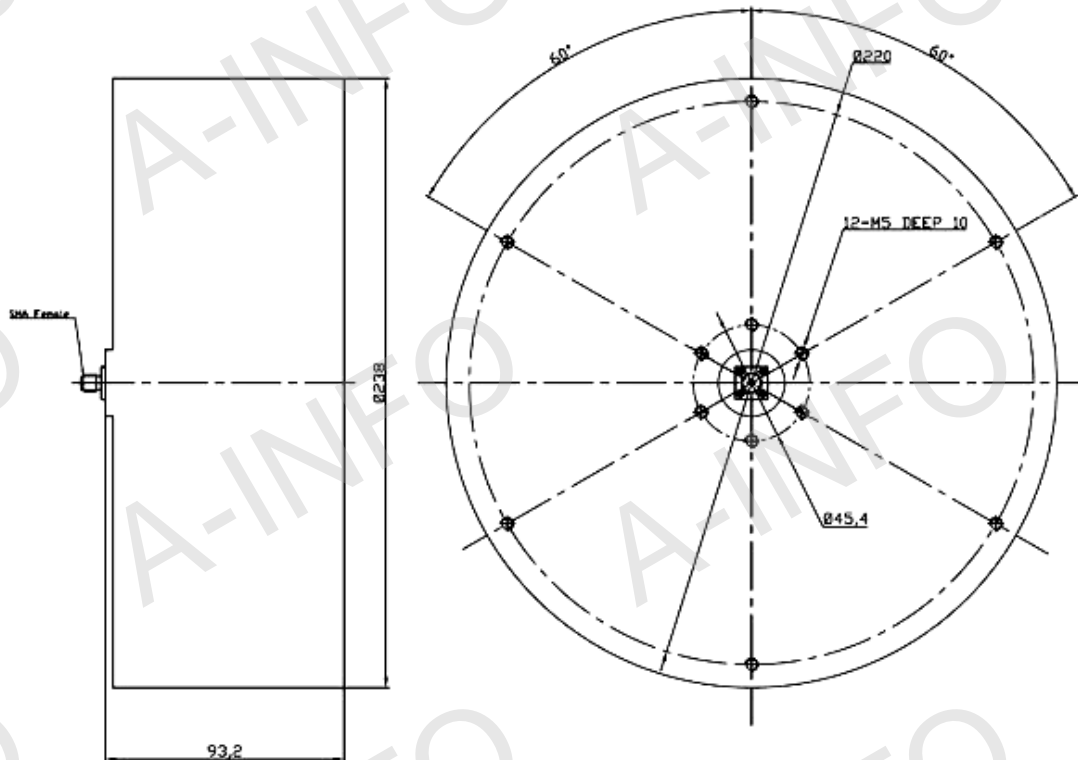
P/N: LX-520



Technical Specification

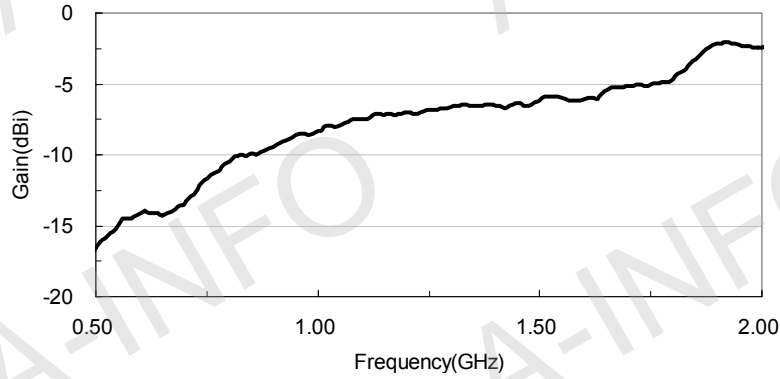
Polarization	RHCP or LHCP
Frequency(GHz)	0.5-2.0
Gain(dBic)	-16.10 @0.5GHz -8.58 @1.0GHz -6.29@1.5GHz -2.46@2.0GHz
3dB Beamwidth(deg)	E:125-90 H:90-70
Axial Ratio(dB)	3.0 Max 1.0 Typ
VSWR	1.5:1 Typ. 2.0:1 Max.
Connector	SMA -Female
Size(mm)	Φ238x93.2

Outline Drawing and Mounting(Size: mm)

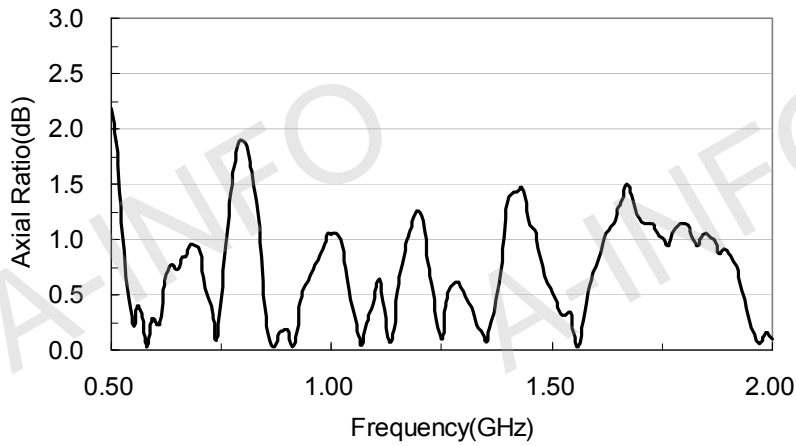


Cavity Backed Spiral Antenna 0.5~2.0GHz(continued)

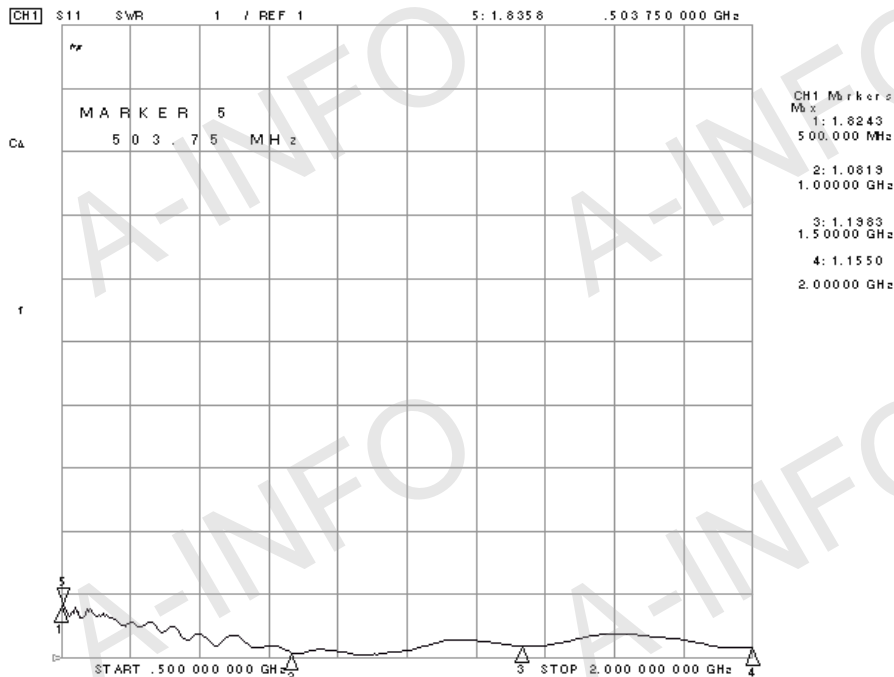
P/N: LX-520
Gain



Axial Ratio



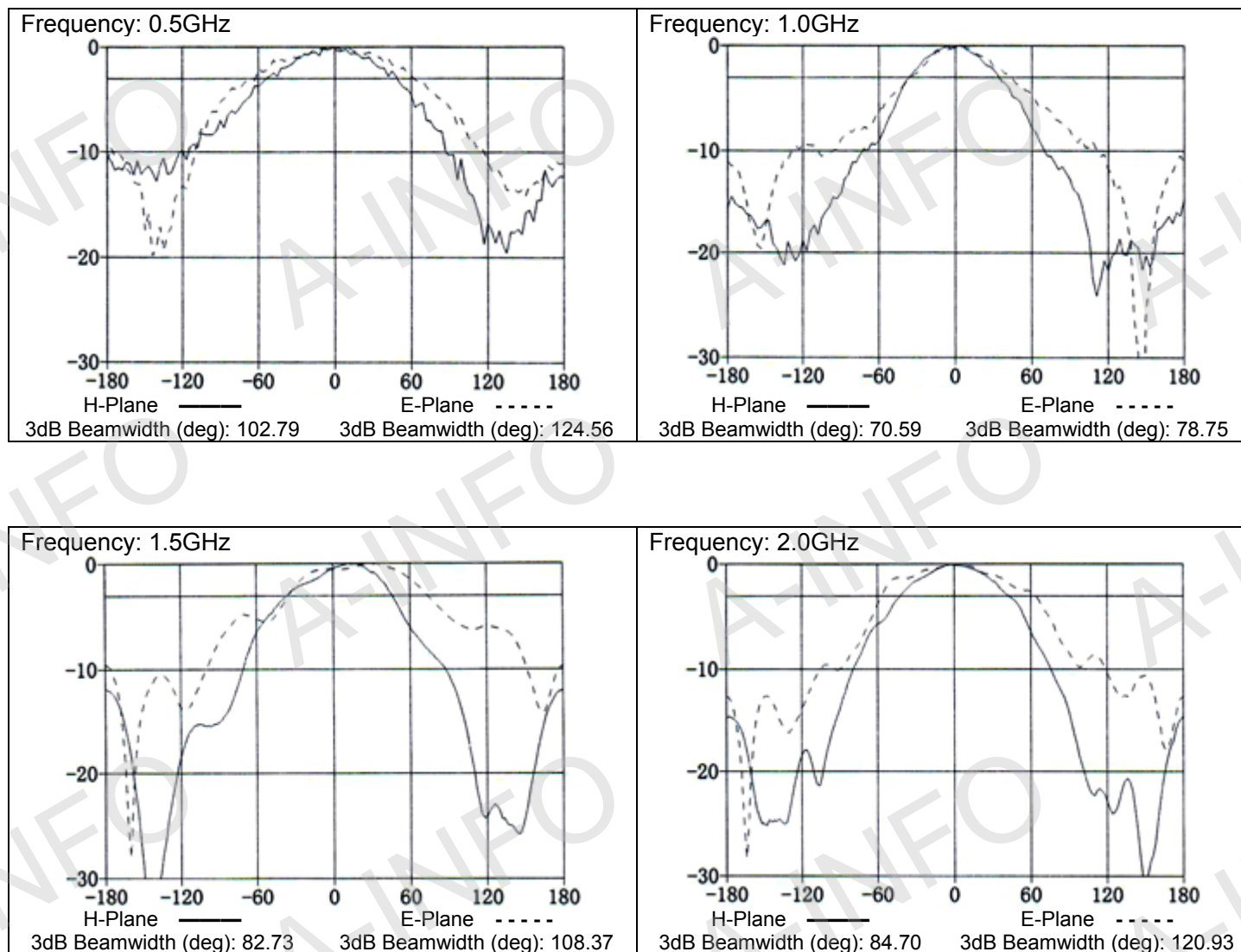
VSWR



Cavity Backed Spiral Antenna 0.5~2.0GHz(continued)

P/N: LX-520

Pattern



Cavity Backed Spiral Antenna 0.8~4.0GHz

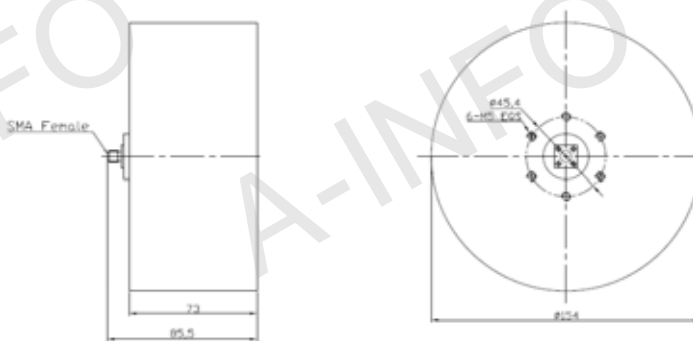
P/N: LX-840



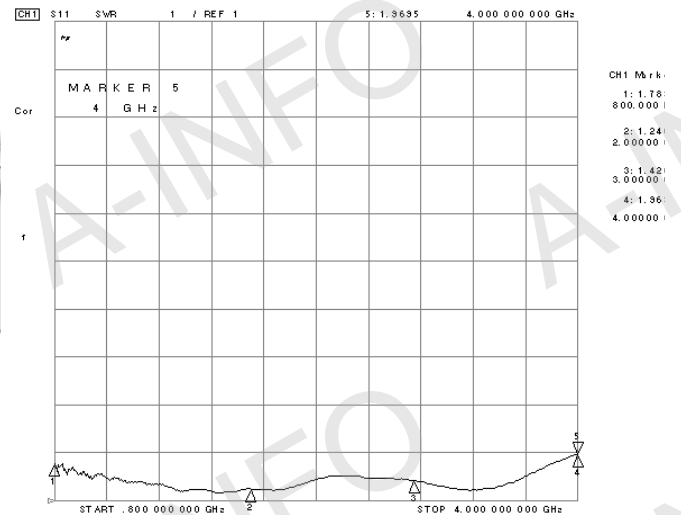
Technical Specification

Polarization	RHCP or LHCP
Frequency Range(GHz)	0.8-4
Gain(dBic)	-9.47 @0.8GHz -1.71 @2GHz 4.26 @4GHz
3dB Beamwidth(deg)	E:125-60 H:115-65
Axial Ratio(dB)	3 Max.
VSWR	1.5:1 Typ. 2.0:1 Max.
Connector	SMA-Female
Size(mm)	Φ154.0x85.0
Net weight(Kg)	0.8 Around

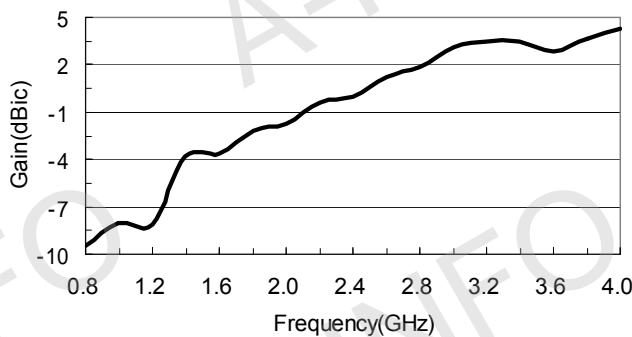
Outline Drawing and Mounting(Size: mm)



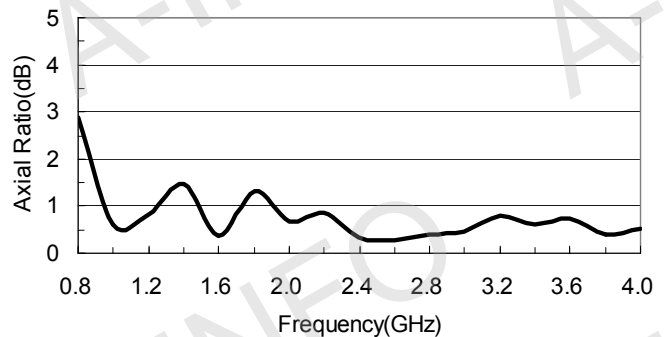
VSWR



Gain



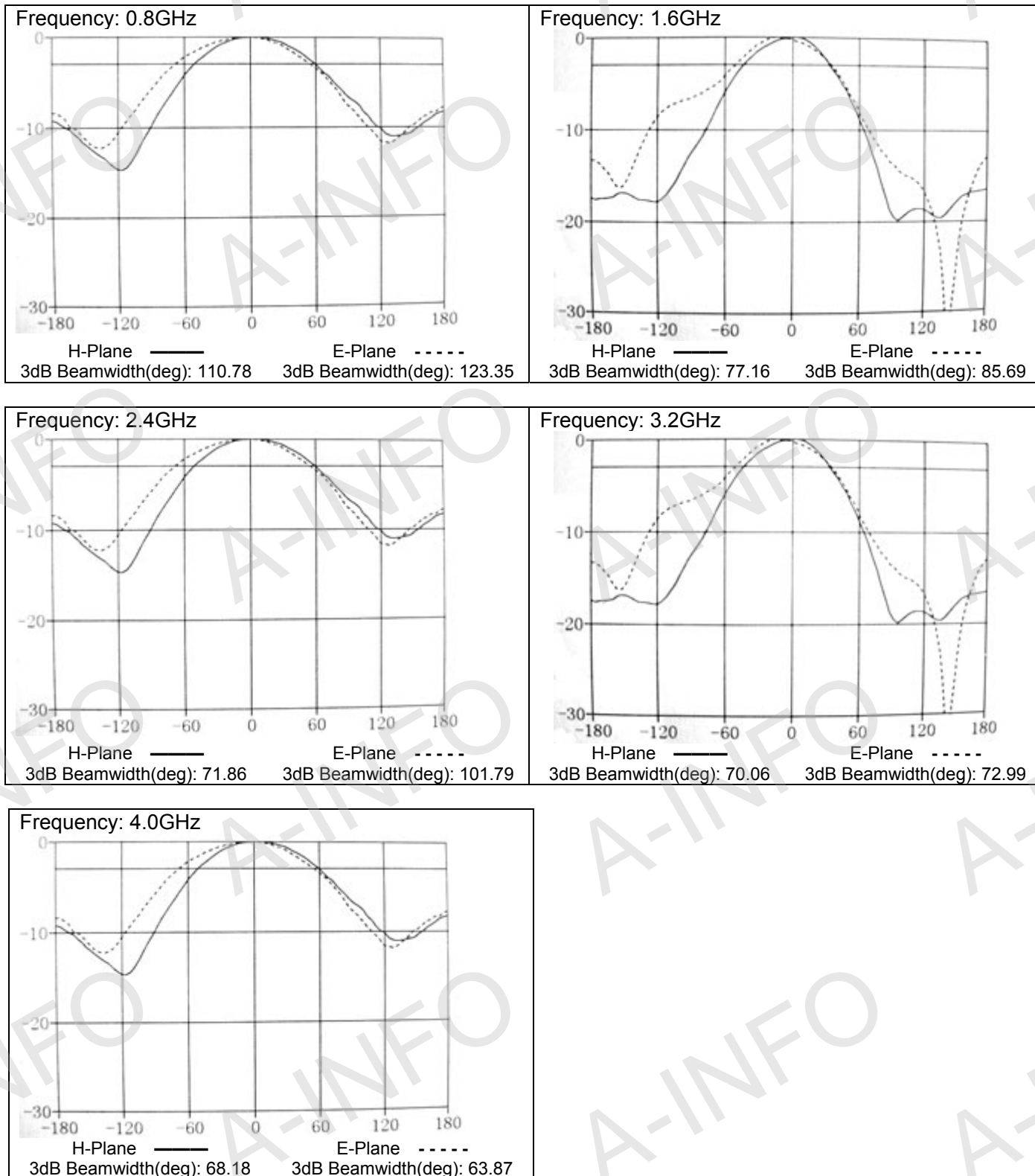
Axial Ratio



Cavity Backed Spiral Antenna 0.8~4.0GHz(continued)

P/N: LX-840

Pattern



Cavity Backed Spiral Antenna 1.0~18.0GHz

P/N: LX-10180

Without Radome



With Radome



Technical Specification

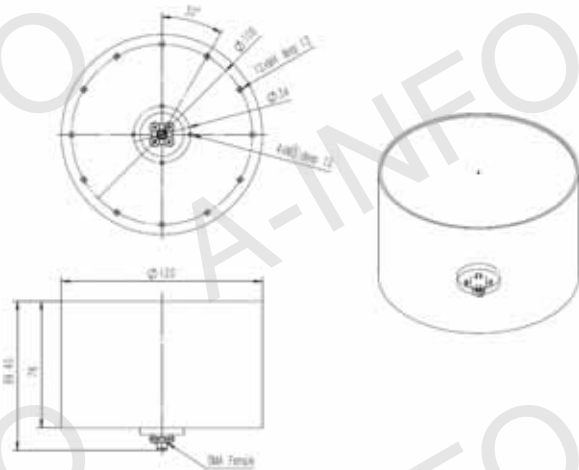
Polarization	RHCP or LHCP	
Frequency Range(GHz)	1 - 18	
Gain(dBic)	Without Radome	-6.46@1GHz
		4.76@8GHz
		1.42@18GHz
	With Radome	-6.50@1GHz
		4.81@8GHz
		2.30@18GHz
Axial Ratio(dB)	3 Max.	
3dB Beamwidth(deg)	Without Radome	E: 115 - 60
		H: 110 - 60
VSWR	2.0 : 1 Typ.	
	3.0 : 1 Max	
Connector	SMA- Female	
Net Weight(Kg)	0.9 Around(Without Radome)	
	1.0 Around(With Radome)	
Material For Radome	Rigid Foam	
Operating Environment For Radome	Outdoor Application; Water Proof & Dust Proof	

Cavity Backed Spiral Antenna 1.0~18.0GHz(continued)

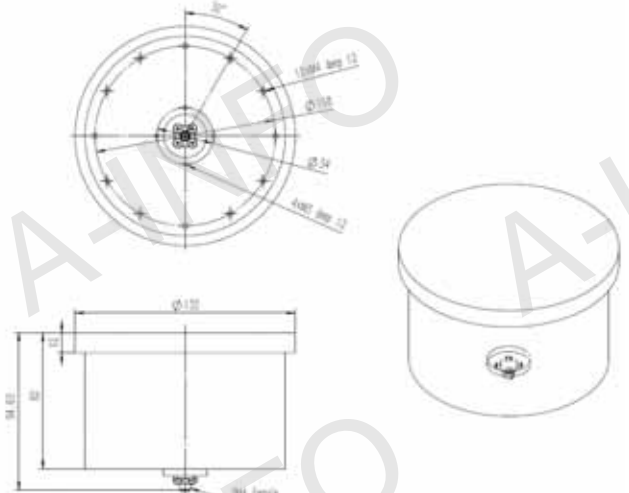
P/N: LX-10180

Outline Drawing and Mounting(Size: mm)

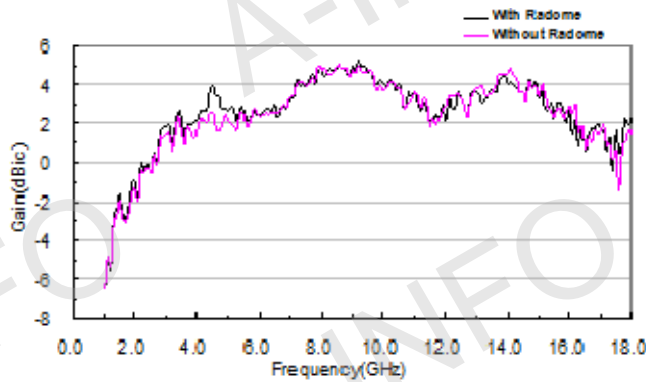
Without Radome



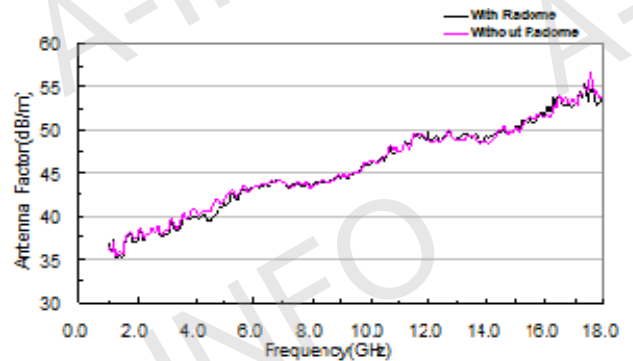
With Radome



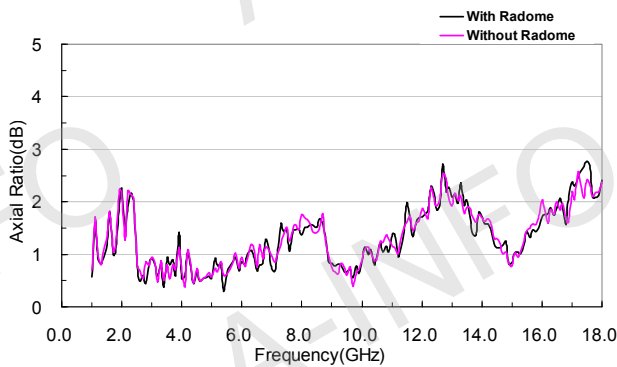
Gain



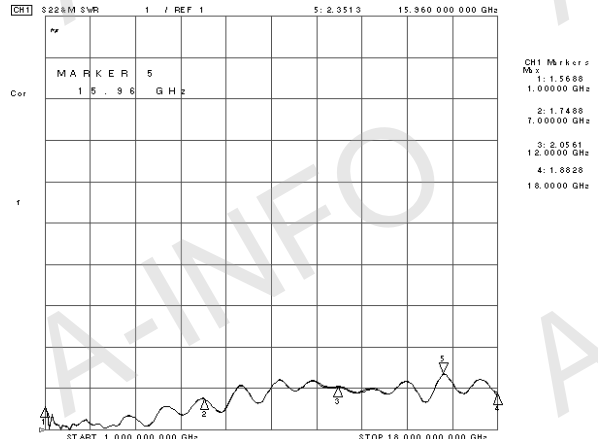
Antenna Factor



Axial Ratio



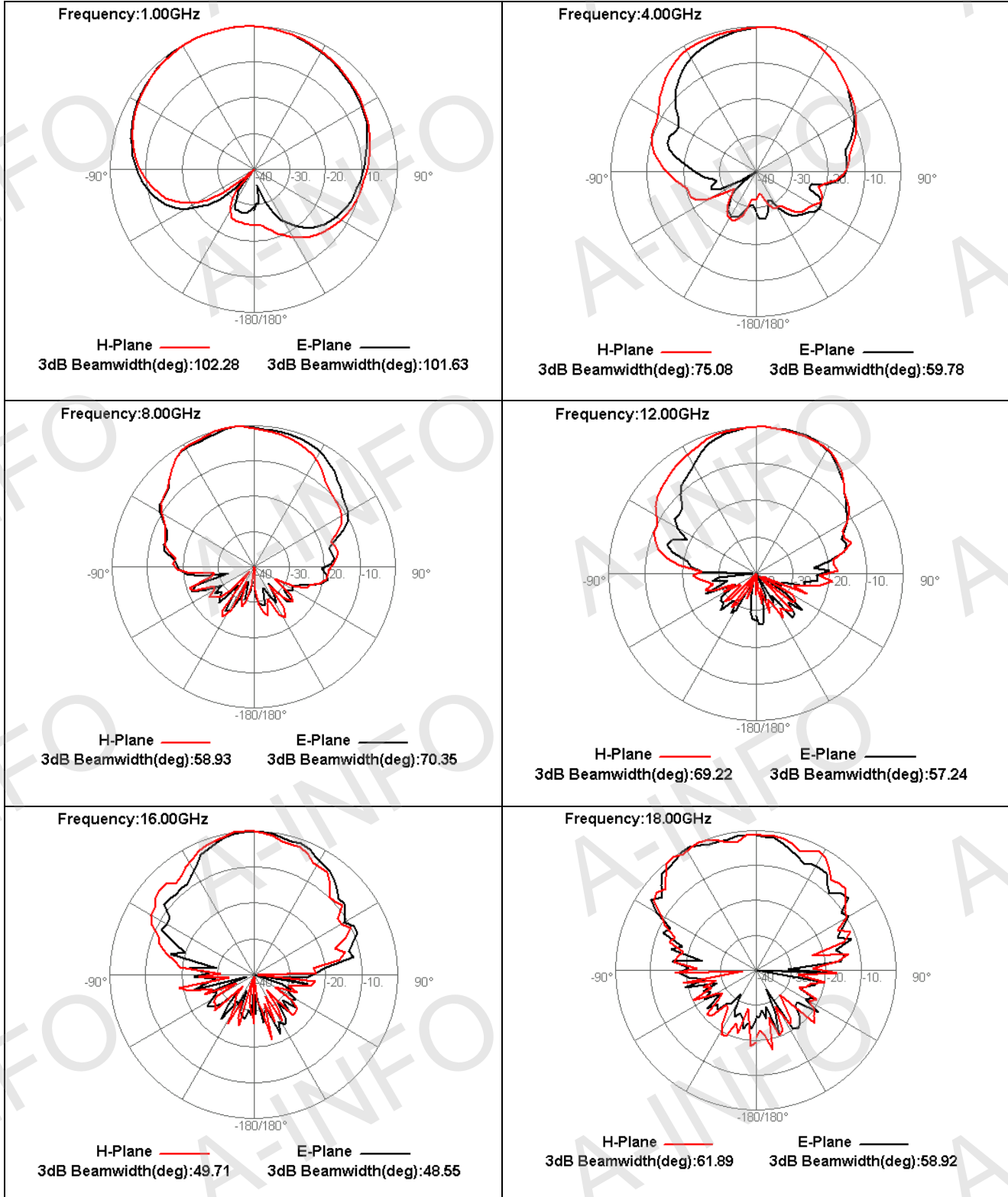
VSWR(DATA: With Radome; MEM: Without Radome)



Cavity Backed Spiral Antenna 1.0~18.0GHz(continued)

P/N: LX-10180

Pattern



Cavity Backed Spiral Antenna 2.0~18.0GHz

P/N: LX-20180

Without Radome



With Radome



Technical Specification

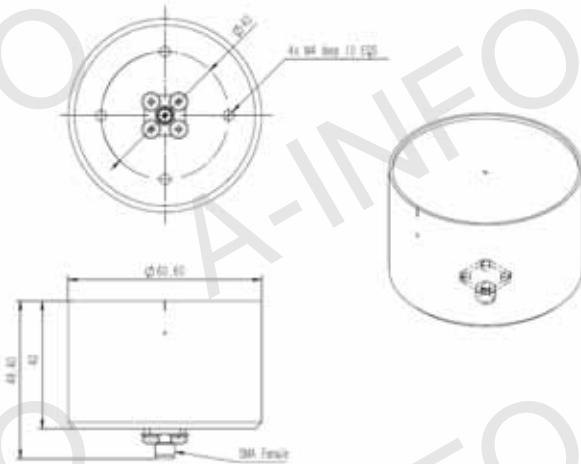
Polarization	RHCP or LHCP	
Frequency Range(GHz)	2 - 18	
Gain(dBic)	Without Radome	-5.99@2GHz
		4.41@8GHz
		1.37@18GHz
	With Radome	-5.42@2GHz
		4.25@8GHz
		0.94@18GHz
Axial Ratio(dB)	3.5 Max.	
3dB Beamwidth(deg)	Without Radome	E: 100 - 55
		H: 105 - 55
VSWR	2.0 : 1 Typ.	
	3.0 : 1 Max	
Connector	SMA- Female	
Net Weight(Kg)	0.17 Around(Without Radome)	
	0.18 Around(With Radome)	
Material For Radome	Rigid Foam	
Operating Environment For Radome	Outdoor Application; Water Proof & Dust Proof	

Cavity Backed Spiral Antenna 2.0~18.0GHz(continued)

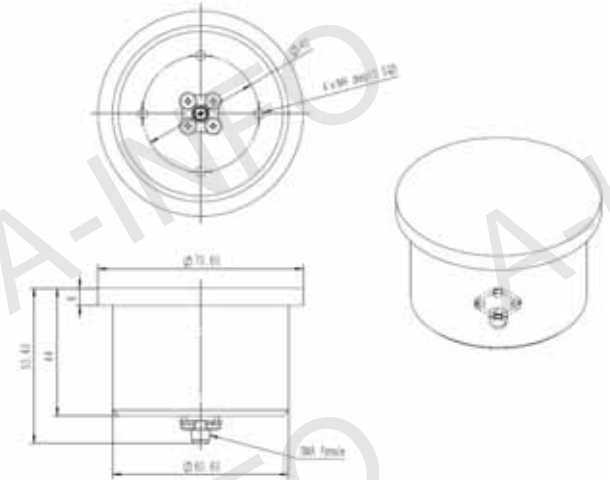
P/N: LX-20180

Outline Drawing and Mounting(Size: mm)

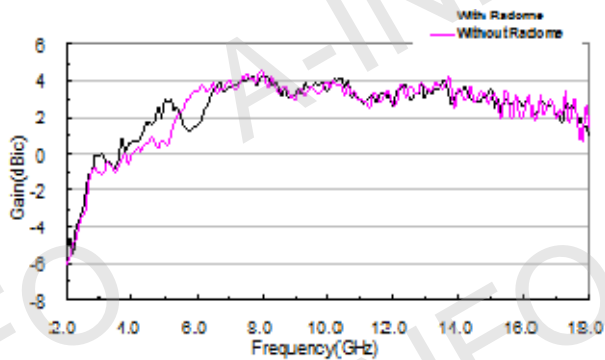
Without Radome



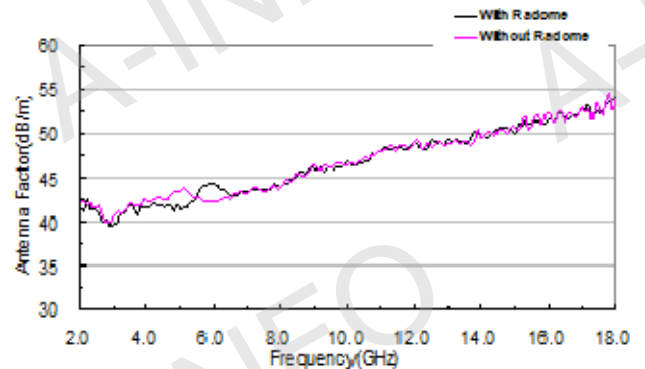
With Radome



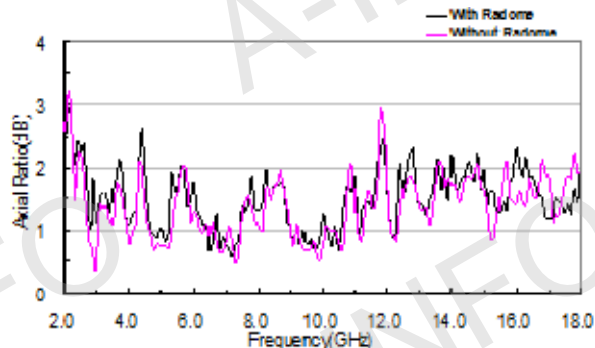
Gain



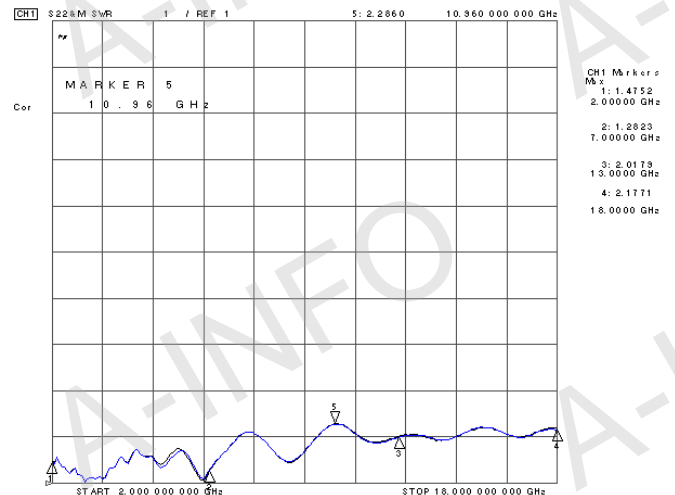
Antenna Factor



Axial Ratio



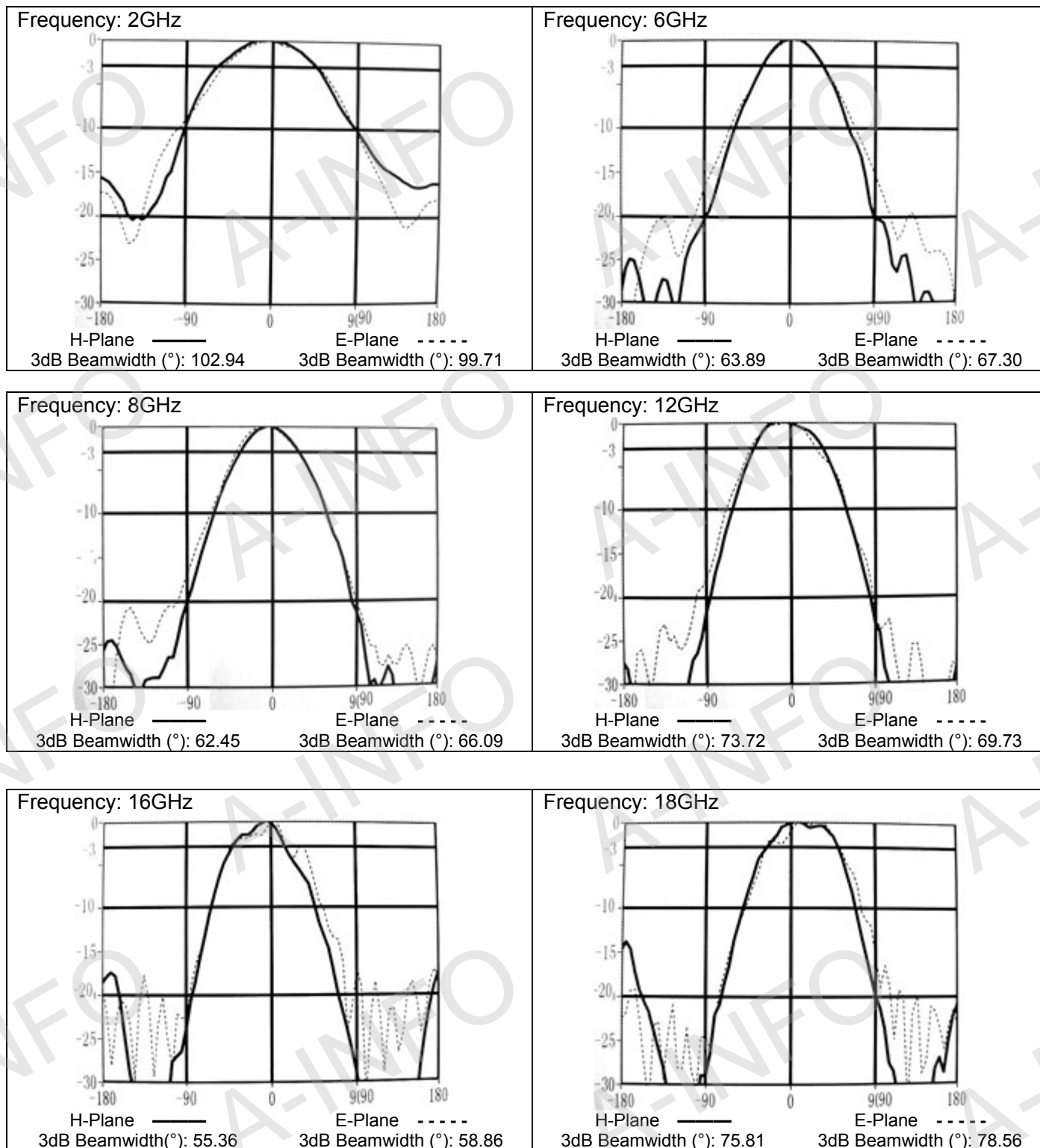
VSWR



Cavity Backed Spiral Antenna 2.0~18.0GHz(continued)

P/N: LX-20180

Pattern



Cavity Backed Spiral Antenna 2.0~18.0GHz

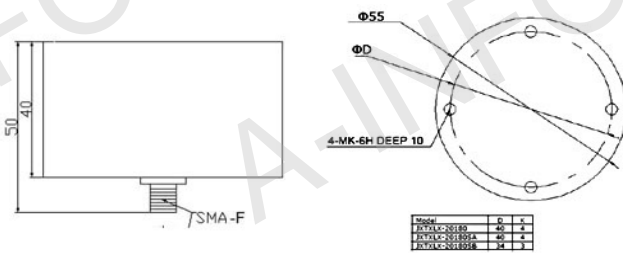
P/N: LX-20180SA



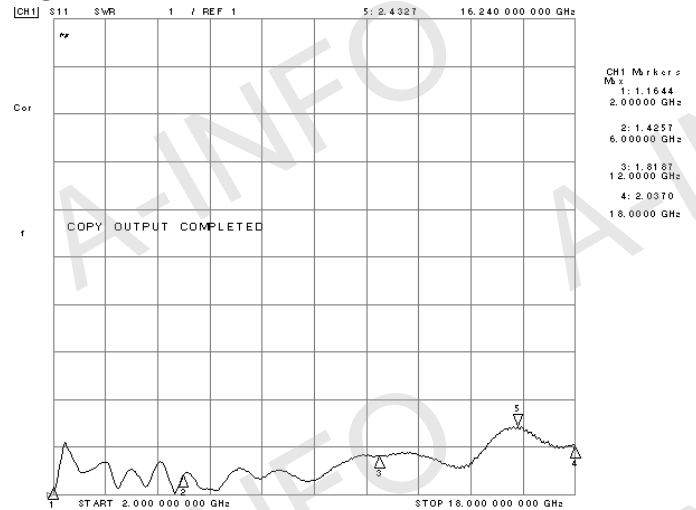
Technical Specification

Polarization	RHCP or LHCP
Frequency Range(GHz)	2-18
Gain(dBic)	-5.41@2GHz 2.93 @8GHz 4.29@18GHz
3dB Beamwidth(Deg)	E: 115 - 50 H: 105 - 50
Axial Ratio(dB)	4 Max
VSWR	2.0 : 1 Typ. 3.0 : 1 Max
Connector	SMA-Female
Size(mm)	Φ55 x 50
Net Weight(Kg)	0.13 Around

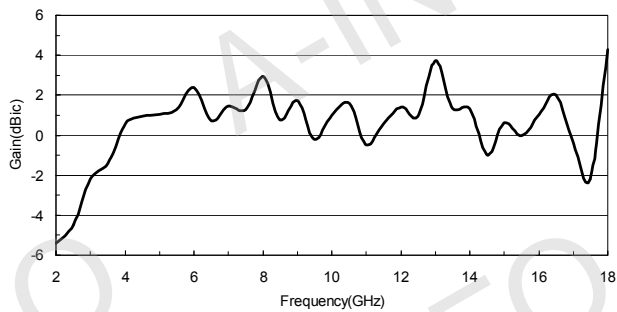
Outline Drawing and Mounting(Size: mm)



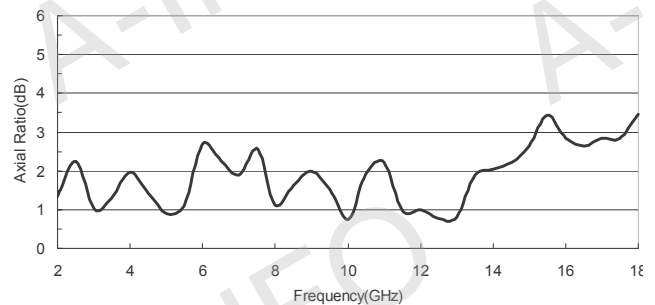
VSWR



Gain



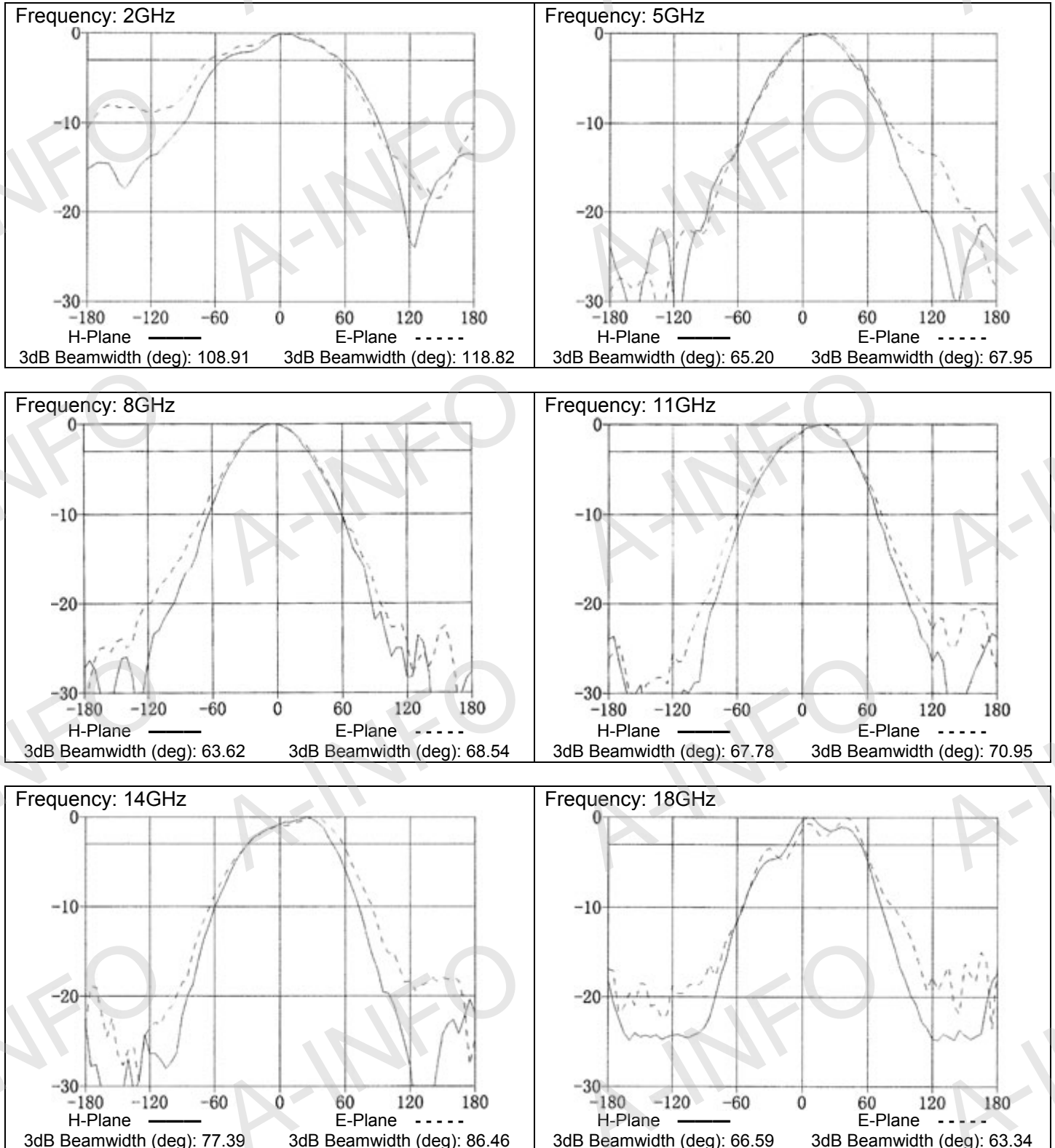
Axial Ratio



Cavity Backed Spiral Antenna 2.0~18.0GHz(continued)

P/N: LX-20180SA

Pattern



Cavity Backed Spiral Antenna 6.0~18.0GHz

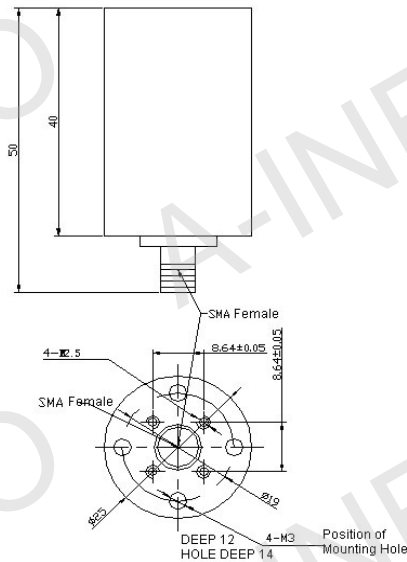
P/N: LX-60180



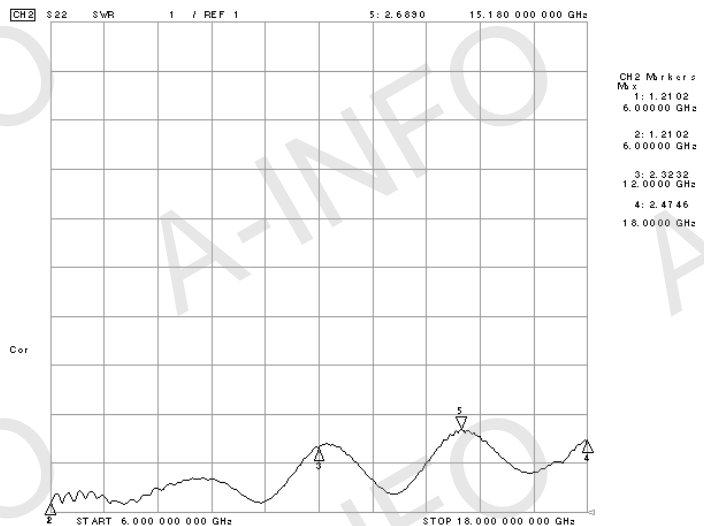
Technical Specification

Polarization	RHCP or LHCP
Frequency Range(GHz)	6-18
Gain(dBic)	2.07 @6GHz -3.57 @12GHz 1.14 @18GHz
Axial Ratio(dB)	5 Max
3dB Beamwidth(°)	E: 110 - 45 H: 90 - 55
VSWR	2.0 : 1 Typ. 3.0 : 1 Max
Impedance(Ω)	50
Connector	SMA-Female
Size(mm)	$\Phi 25 \times 50$
Net Weight(Kg)	0.03Around

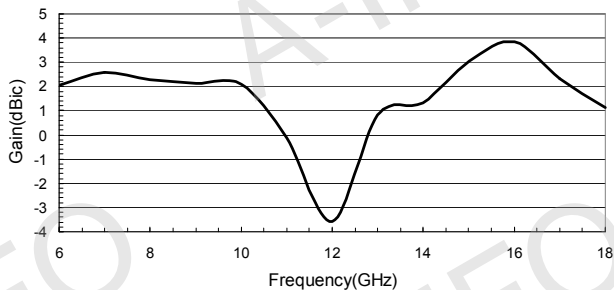
Outline Drawing(Size: mm)



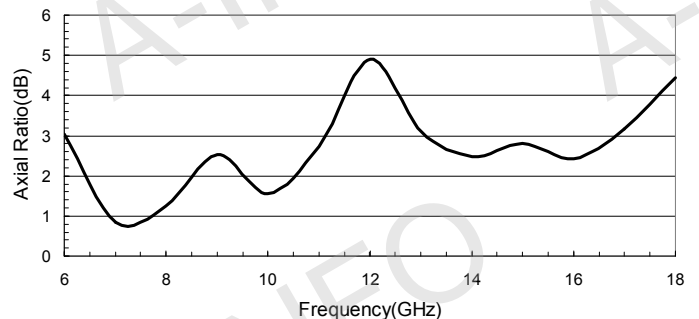
VSWR



Gain



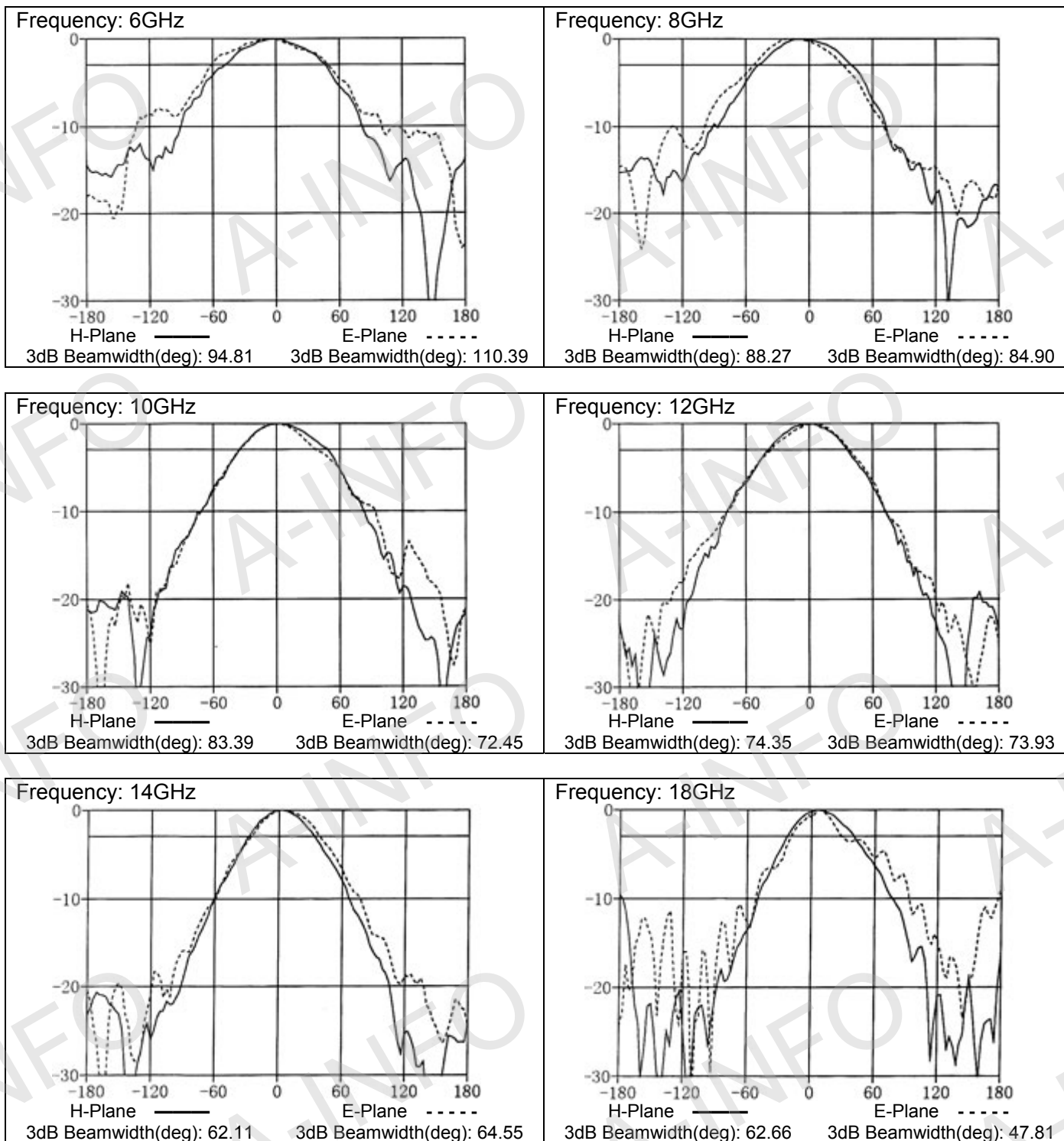
Axial Ratio



Cavity Backed Spiral Antenna 6.0~18.0GHz(continued)

P/N: LX-60180

Pattern



Cavity Backed Spiral Antenna 18.0~40GHz

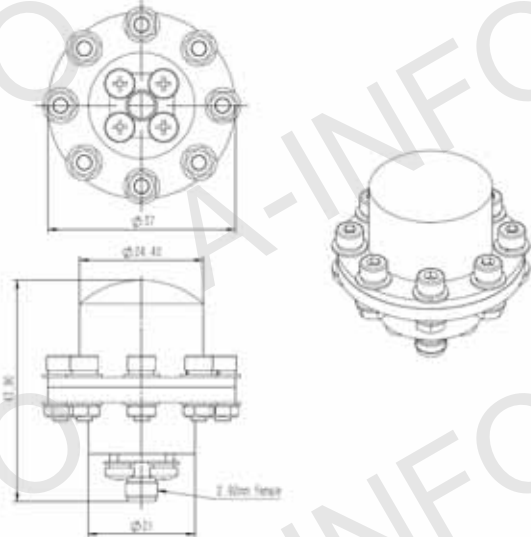
P/N: LX-180400



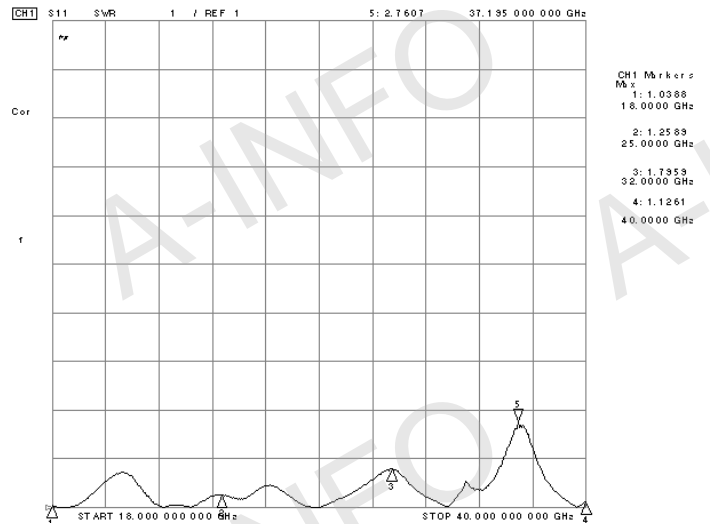
Technical Specification

Polarization	LHCP or RHCP
Frequency Range(GHz)	18 - 40
Gain(dBic)	2.84 @18GHz
	5.70 @30GHz
	0.12 @40GHz
Axial Ratio(dB)	5.5 Max
3dB Beamwidth(deg)	E: 100 - 45
	H: 95 - 40
VSWR	2.0 : 1 Typ.
	3.0 : 1 Max
Connector	2.92mm-Female
Size(mm)	Φ37 x 34.4
Net Weight(Kg)	0.05 Around

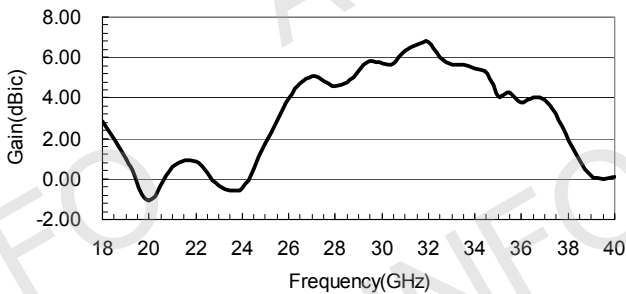
Outline Drawing (Size: mm)



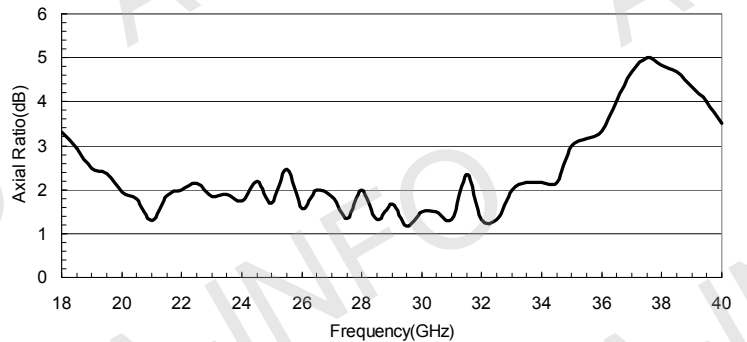
VSWR



Gain



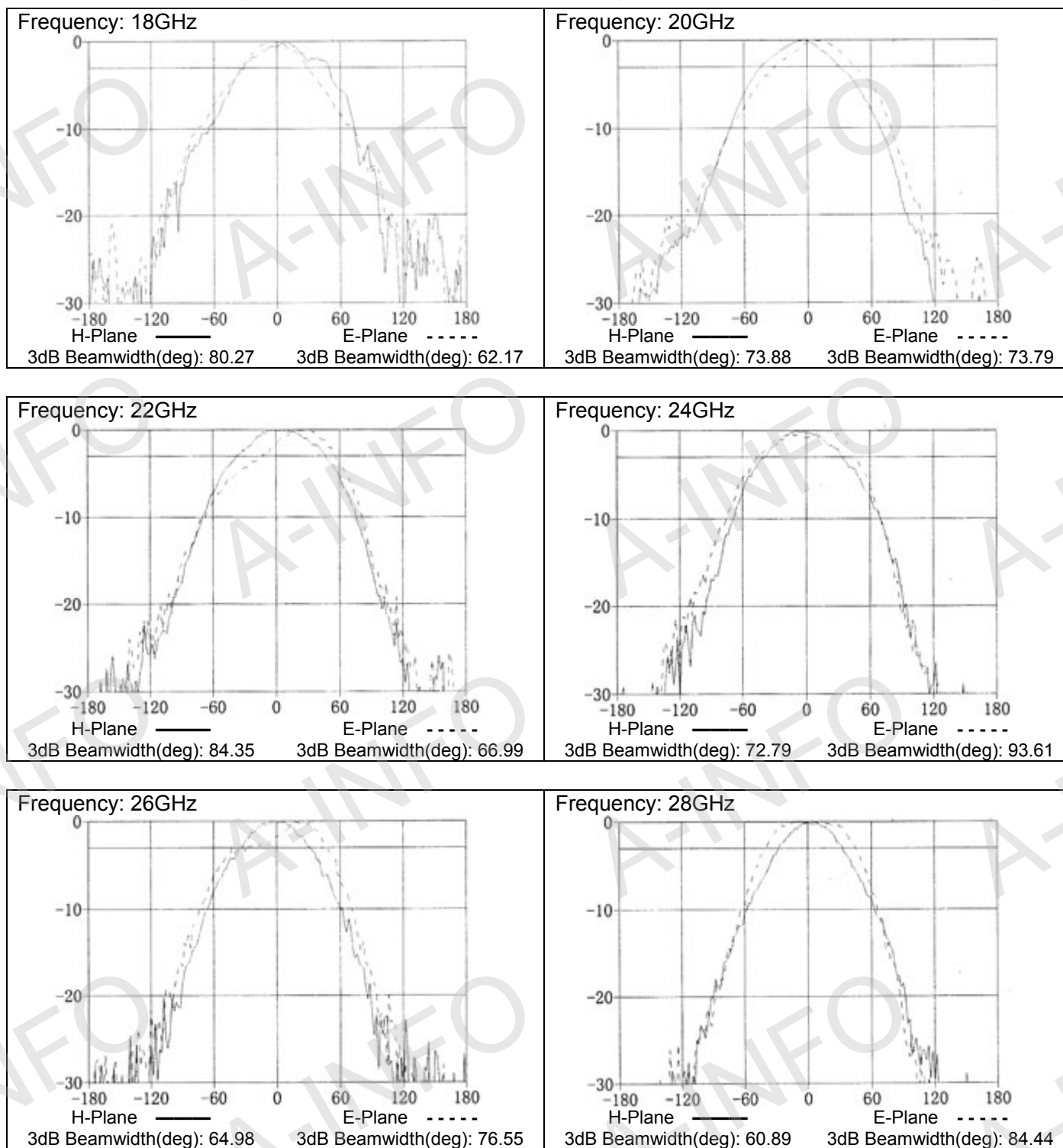
Axial Ratio



Cavity Backed Spiral Antenna 18.0~40GHz(continued)

P/N: LX-180400

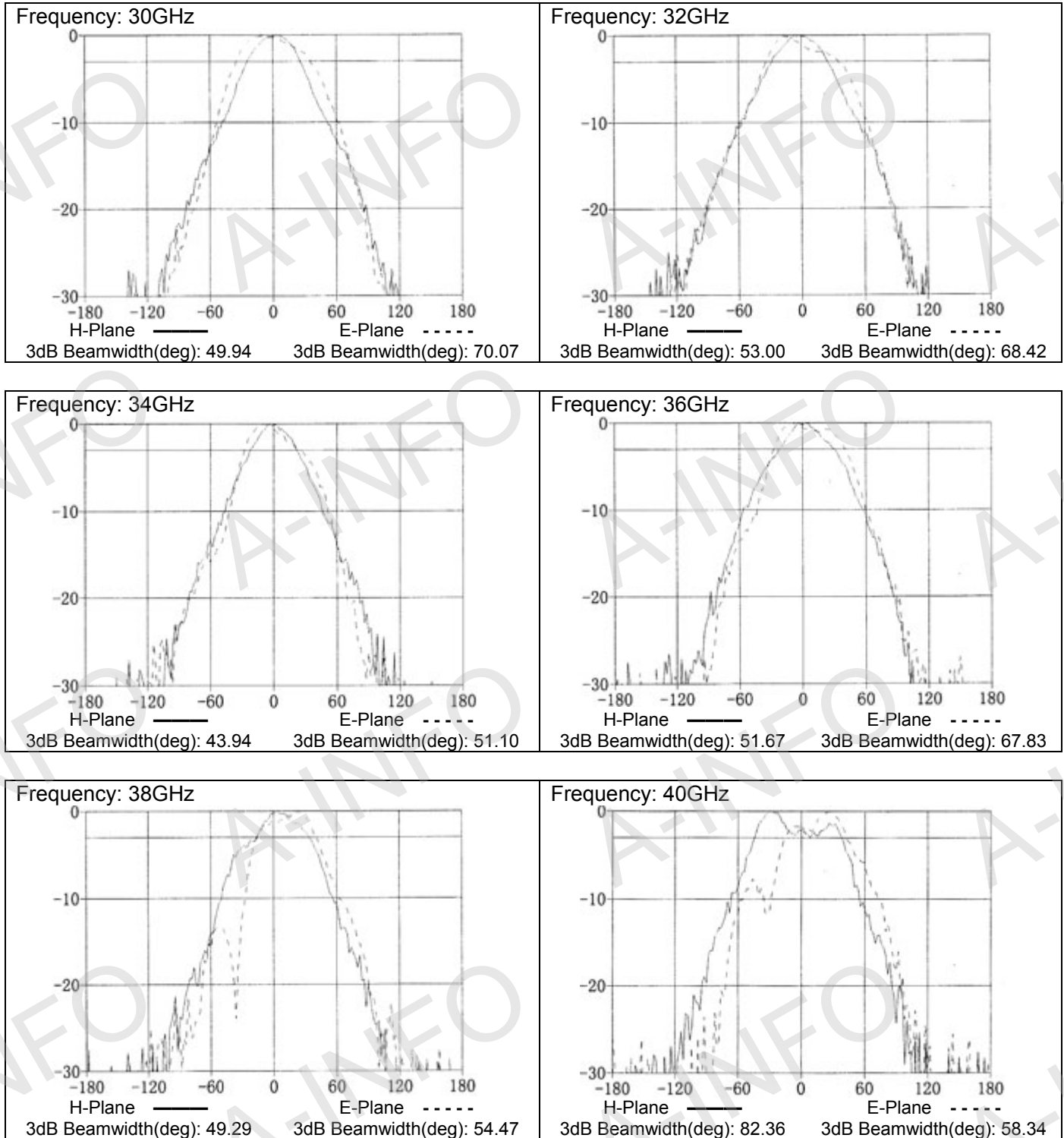
Pattern



Cavity Backed Spiral Antenna 18.0~40GHz(continued)

P/N: LX-180400

Pattern



Helical Antenna



For detailed test data, pls. Log on www.ainfoinc.com – Antenna – Helical Antenna and download.

Model	Frequency (GHz)	Gain (dBic) Min.	VSWR Max.	Power Handling (W) CW	Connector	Size (mm)
ZLX-9010-12	9.0-10.0	12	2.0	10	SMA-F	Φ60 x 110

Spiral Antenna Accessories

Radome (For all Spiral Antenna)



Mounting Bracket (L Type)



Microstrip Array Antenna

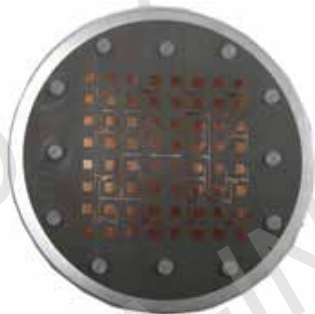


For detailed test data, pls. Log on www.ainfoinc.com – Antenna – Microstrip Array Antenna and download.

Model	Freq. (MHz)	Bandwidth	Gain (dB)	VSWR Max.	Connector	Impedance (Ω)
MAA-410	400-1000	5%	10-15	2:1	N	50
MAA-1020	1000-2000	5%	10-15	2:1	N	50
MAA-2224	2200-2400	Full	12 Typ.	2:1	SMA	50
MAA-2040	2000-4000	8%-10%	15-20	2:1	N/SMA	50
MAA-4080	4000-8000	8%-10%	15-20	2:1	SMA	50
MAA-7479	7400-7900	Full	15-20	2:1 Typ.	SMA	50
MAA-80125	8000-12500	8%-10%	20-30	2:1	SMA	50
MAA-935985-V	9350-9850	Full	20 min	2:1	SMA	50
MAA-945975-C10	9450-9750	Full	26 min	2:1	N-F	50
MAA-125180	12500-18000	8%-10%	20-30	2:1	SMA	50
MAA-164595-1	16450-16950	Full	20 min	2:1	SMA	50
MAA-164595-2	16450-16950	Full	20 min	2:1	SMA	50
MAA-164595-V	16450-16950	Full	18 min	2:1	SMA	50
MAA-240255	24000-25500	Full	22.5 Typ.	2.5:1	SMA-F	50

Microstrip Array Antenna 24.0~25.5GHz

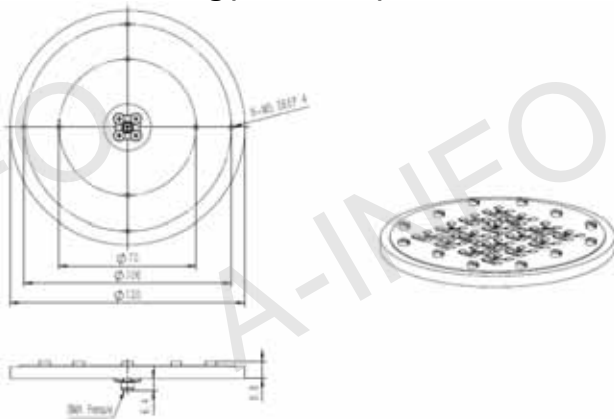
P/N: MAA-240255



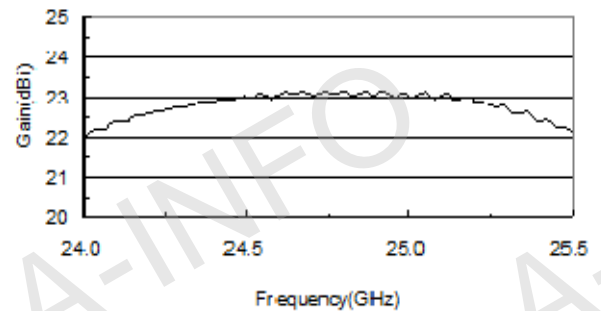
Technical Specification

Frequency Range(GHz)	24.0-25.5
VSWR	1.5 Typ. , 2.5 Max
Gain(dB)	22.5 Typ.
3dB Beamwidth(deg)	9.0 Typ.
Connector	SMA-Female
Size(mm)	Φ120 x 8.8 (Connector is not included.)
Net Weight(Kg)	0.2 Around

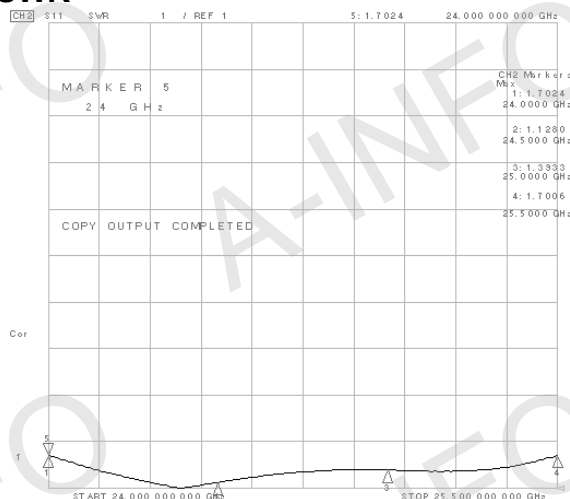
Outline Drawing(Size: mm)



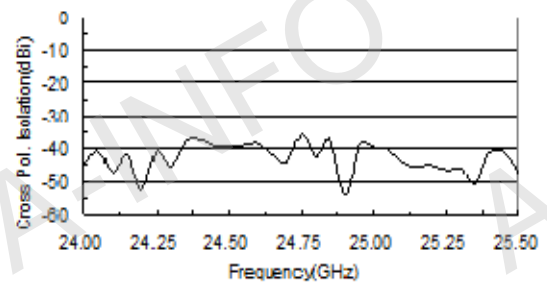
Gain



VSWR



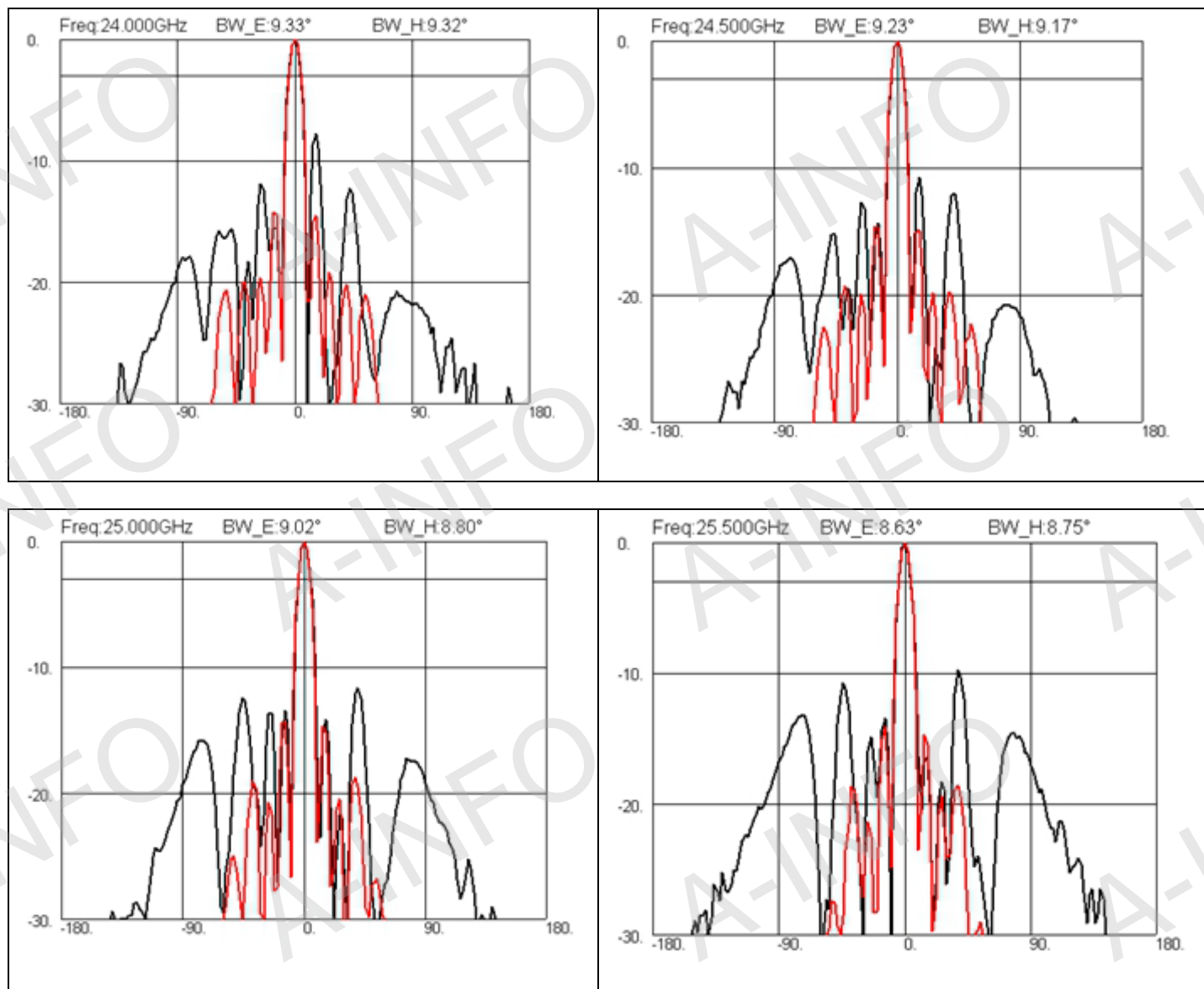
Cross Pol. Isolation



Microstrip Array Antenna 24.0~25.5GHz (continued)

P/N: MAA-240255

Pattern



Microstrip Omni Antenna



For detailed test data, pls. Log on www.ainfoinc.com – Antenna – Microstrip Omni Antenna and download.

Model	Frequency (MHz)	Polarization	Gain (dB)	VSWR Max.	Connector
OA-200-400-0	200-400	Vertical	0±2	2:1	N-Female
OA-200-6000-0	200-6000	Vertical	0	2:1	N-Female
OA-800-2700-2.5	800-2700	Vertical	2.5	2:1	SMA-Male/SMA-Female

Microstrip Omni Antenna 0.2~6.0GHz

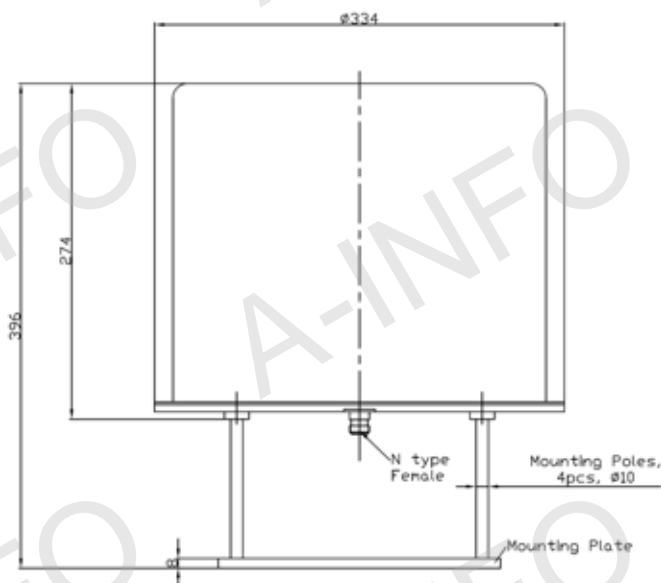
P/N: OA-200-6000-0



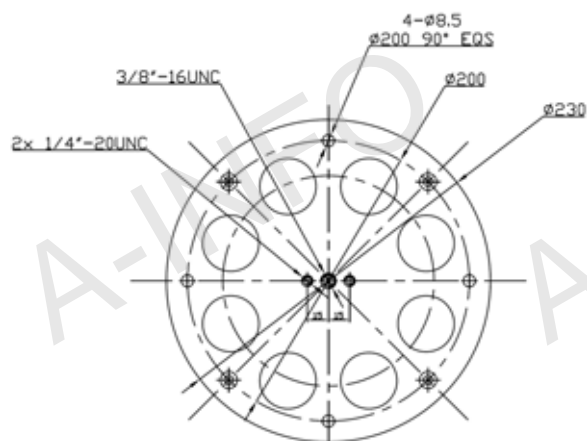
Technical Specification

Frequency Range(MHz)	200 - 6000
Gain(dB)	0 Typ.
Antenna Factor	Pls. see the test results
VSWR	2.0 : 1 Typ.
Polarization	Vertical
Connector	N-Female
Size(mm)	Φ334 x 396 approx.
Net Weight(Kg)	4.5 Around (Antenna Radome & Mounting Plate Included)

Outline Drawing (Size: mm)



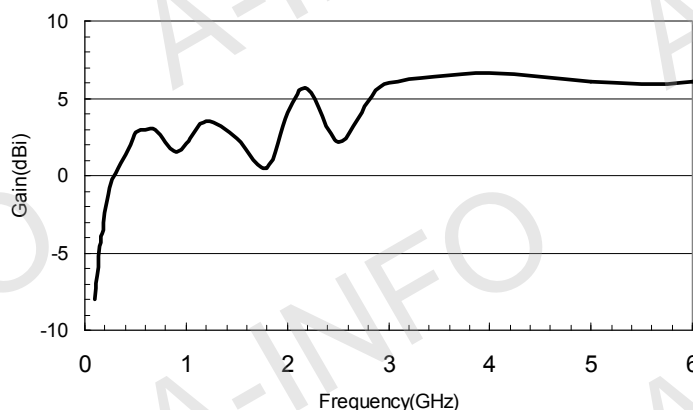
Mounting Plate



Gain & Antenna Factor

Frequency (GHz)	Gain (dB)	Antenna Factor (dBm-1)
0.20	-2.4	18.63
0.30	0.2	19.55
0.40	1.4	20.85
0.5	2.8	21.39
0.7	3.0	24.11
0.9	1.5	27.79
1.2	3.5	28.29
1.8	0.5	34.82
2.2	5.6	31.46
2.8	4.8	34.35
4.0	6.6	35.65
6.0	6.1	39.67

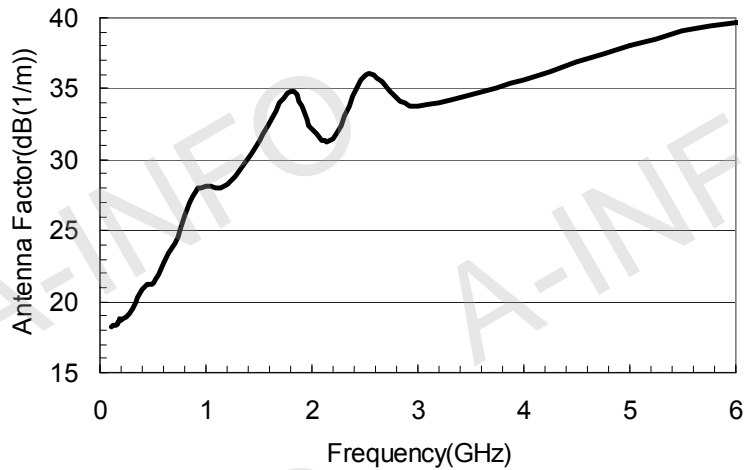
Gain Curve



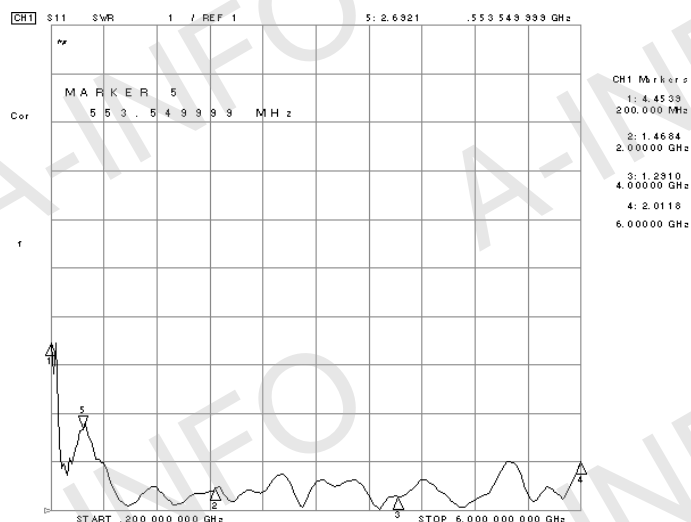
Microstrip Omni Antenna 0.2~6.0GHz(continued)

P/N: OA-200-6000-0

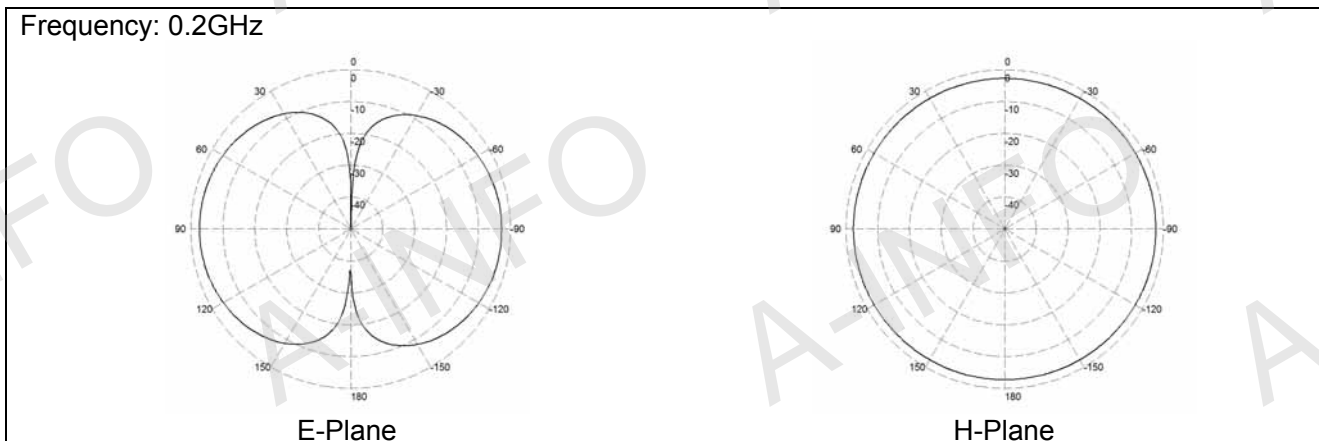
Antenna Factor Curve



VSWR



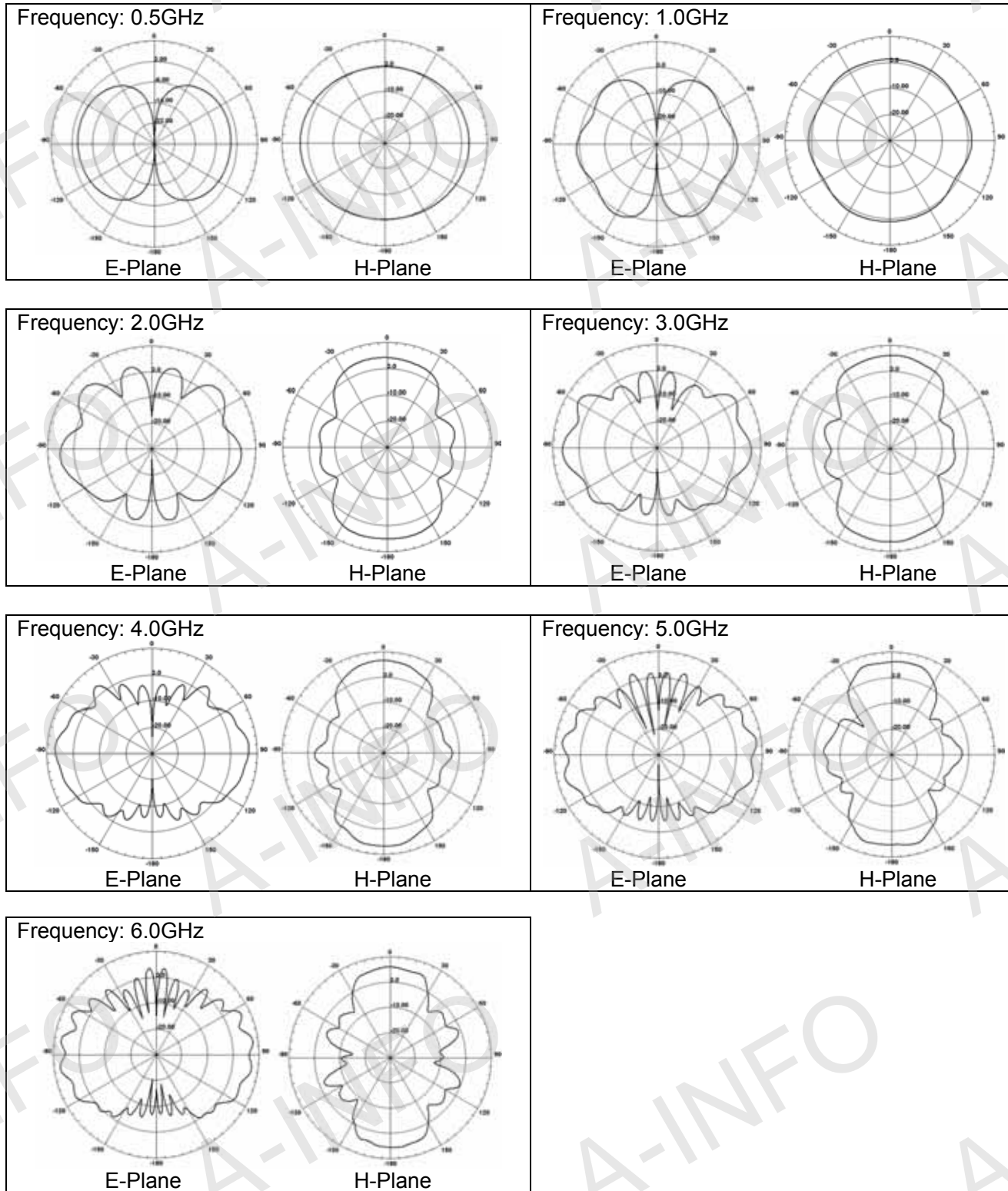
Pattern



Microstrip Omni Antenna 0.2~6.0GHz(continued)

P/N: OA-200-6000-0

Pattern



Log Periodic Antenna



Our DS series antennas are lightweight, medium gain log periodic dipoles designed to transmit and receive signals over a broadband. These antennas are characterized by a high front-to-back ratio, and power gain at all frequency in the band. High quality aluminium construction for a lightweight, high strength antenna will provide years of trouble-free operation.

ALL DS antennas are linearly polarized. Polarization adjustment is possible, in any plane, DS series antennas operating below 300MHz are also supplied in a kit form for compactness in packaging and ease of transportation. Antennas in the kit form assemble easily with minimum tool requirements. Standard tripod will be provided according to customers' requirement, the joint is universal.

Also we provide specific frequency Log Periodic antennas according to customers' requirement.

For detailed test data, pls. Log on www.ainfoinc.com – Antenna – Log Period Antenna and download.

1. Linear Polarization

Model	Freq. Range (MHz)	3dB Bandwidth (°)	Gain (dB)	VSWR Typ.	Connector	Size (mm)
DS-340	30-400	-	5	3.5:1	N-F	3083
DS-3100	30-1000	-	-10~6	10.0 Typ. 30-50MHz,	N-F	1734x1425
				2.0 Typ. 50-100MHz,		
				1.5 Typ. / 2.0 Max 100-1000MHz		
DS-3100E	30-1000	-	-10~6	Same as above	N-F	1734x1601
DS-3200	30-2000	-	-10~6	Same as above	N-F	1734x1425
DS-3200E	30-2000	-	-10~6	Same as above	N-F	1734x1601
DS-3300	30-3000	-	-10~6	Same as above	N-F	1734x1425
DS-3300E	30-3000	-	-10~6	Same as above	N-F	1734x1601
DS-4300	40-3000	-	-10~6	Same as above	N-F	1720x1450

Model	Freq. Range (MHz)	3dB Bandwidth (°)	Gain (dB)	VSWR Typ.	Connector	Size (mm)
DS-1040	100-400	-	6	2:1 Max	N-F	1560x1450
DS-10100	100-1000	-	6	2:1 Max	N-F	1560x1450
DS-10200	100-2000	-	6	2:1 Max	N-F	1560x1450
DS-10300	100-3000	-	6	2:1 Max	N-F	1560x1450
DS-10400	100-4000	150-30	6	2:1	N-F	1560x1450
DS-10600	100-6000	-	0~10	2:1	N-F	1300
DS-18100	180-1000	-	6	2:1	N-F	856x745
DS-18200	180-2000	-	6	2:1	N-F	856x745
DS-18300	180-3000	-	6	2:1	N-F	856x745
DS-20100	200-1000	-	6	1.5:1	N-F	856x745
DS-20200	200-2000	-	6	2:1	N-F	856x745
DS-20300	200-3000	-	6	2:1	N-F	856x745
DS-25100	250-1000	-	6	1.5:1	N-F	739x745x67
DS-25200	250-2000	-	6	2:1	N-F	739x745x67
DS-25300	250-3000	-	6	2:1	N-F	739x745x67
DS-25100-H	250-1000	-	8.5	2:1	N-F	628x1512x126
DS-25200-H	250-2000	-	8.5	2:1	N-F	628x1512x126
DS-25300-H	250-3000	-	8.5	2:1	N-F	628x1512x126
DS-30100	300-1000	120-50	6	3:1	N-F	-
DS-30200	300-2000	120-50	6	3:1	N-F	-
DS-30300	300-3000	120-50	6	3:1	N-F	-
DS-40200	400-2000	140-30	6	1.5:1Typ. 2.0:1Max	N-F	412x378
DS-40300	400-3000	140-30	6	1.5:1Typ. 2.5:1Max	N-F	412x378
DS-50200	500-2000	140-30	7	1.5:1Typ. 2.5:1Max	N-F	355x337
DS-50200C	500-2000	140-30	7	1.5:1Typ. 2.5:1Max	N-F	355x329
DS-50200E	500-2000	140-30	7	1.5:1Typ. 2.5:1Max	N-F	355x550
DS-50300	500-3000	140-30	7	1.5:1Typ. 2.5:1Max	N-F	355x337
DS-50300C	500-3000	140-30	7	1.5:1Typ. 2.5:1Max	N-F	355x329
DS-50300E	500-3000	140-30	7	1.5:1Typ. 2.5:1Max	N-F	355x550
DS-50400	500-4000	140-30	7	2.0:1Typ. 3.0:1Max	N-F	355x337
DS-50400C	500-4000	140-30	7	1.5:1Typ. 2.5:1Max	N-F	355x329
DS-50400E	500-4000	140-30	7	1.5:1Typ. 2.5:1Max	N-F	355x550
DS-50600	500-6000	110-40	7	3:1	N-F	355x497
DS-50800	500-8000	110-40	7	3:1	N-F	355x497
DS-100600	1000-6000	110-40	6	3:1	N-F	355x497

2. Dual Linear Polarization



Model	Frequency (MHz)	Pol.	Gain (dB) Typ.	VSWR Typ.	Cross Pol. Isolation(dB) Typ.	Connector	Size (mm)
DS-SJ-10100	0.1-1.0	Dual	7	2.0:1	20	N-F	1560X1560X2200
DS-SJ-10200	0.1-2.0	Dual	7	2.0:1	20	N-F	1560X1560X2200
DS-SJ-10300	0.1-3.0	Dual	7	2.0:1	20	N-F	1560X1560X2200
DS-SJ-10400	0.1-4.0	Dual	7	2.0:1	20	N-F	1560X1560X2200
DS-SJ-20100	0.2-1.0	Dual	7	2.0:1	20	N-F	857X857X1120
DS-SJ-20200	0.2-2.0	Dual	7	2.0:1	20	N-F	857X857X1120
DS-SJ-20300	0.2-3.0	Dual	7	2.0:1	20	N-F	857X857X1120
DS-SJ-20400	0.2-4.0	Dual	7	2.0:1	20	N-F	857X857X1120

Note: Customized connector Type is available.

Log Periodic Antenna Accessories

Cable Assemblies



Non-metal Tripod



Al Alloy Tipod

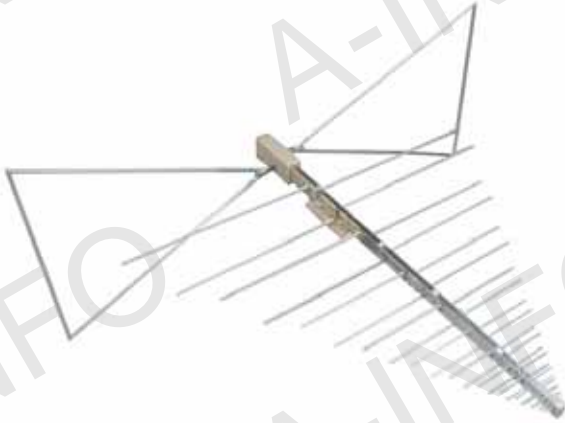


Wood Tripod



Log Periodic Antenna 30~3000MHz

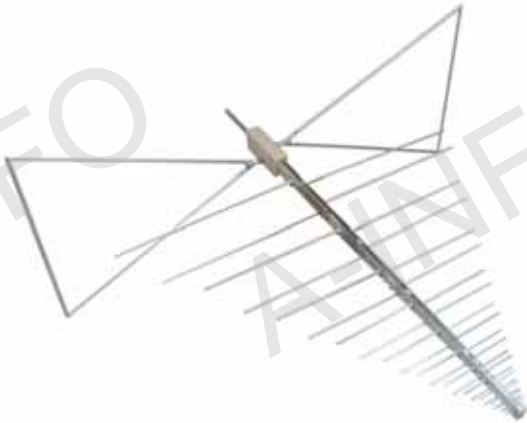
P/N: DS-3300



Technical Specification

Frequency Range(GHz)	0.03 - 3.0
Gain(dB)	-10 - 6.0 Typ.
Polarization	Linear
VSWR	10.0 Typ.(30-50MHz)
	2.0 Typ.(50-100MHz)
	1.5 Typ./ 2.0 Max (100-3000MHz)
Connector	N-Female
Power handling(W)	300 CW
Size(mm)	1734 x 1425
Net Weight(Kg)	3.5 Around

P/N: DS-3300E

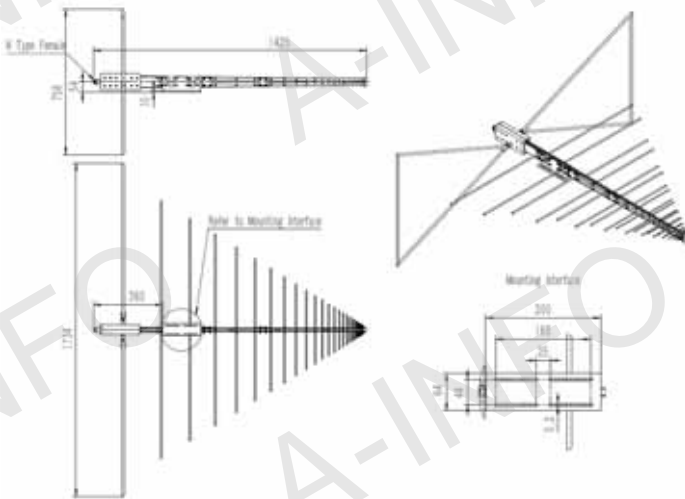


Technical Specification

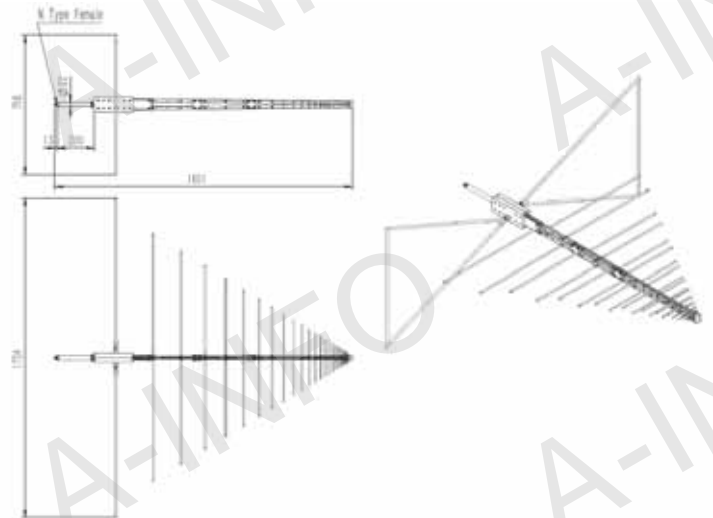
Frequency Range(GHz)	0.03 - 3.0
Gain(dB)	-10 - 6.0 Typ.
Polarization	Linear
VSWR	10.0 Typ.(30-50MHz)
	2.0 Typ.(50-100MHz)
	1.5 Typ./ 2.0 Max (100-3000MHz)
Connector	N-Female
Power handling(W)	300 CW
Size(mm)	1734 x 1601
Net Weight(Kg)	4.3 Around

Outline Drawing (Size: mm)

DS-3300 with Mounting Bracket



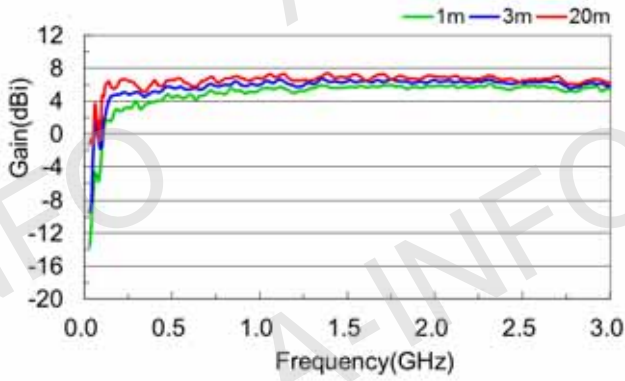
DS-3300E



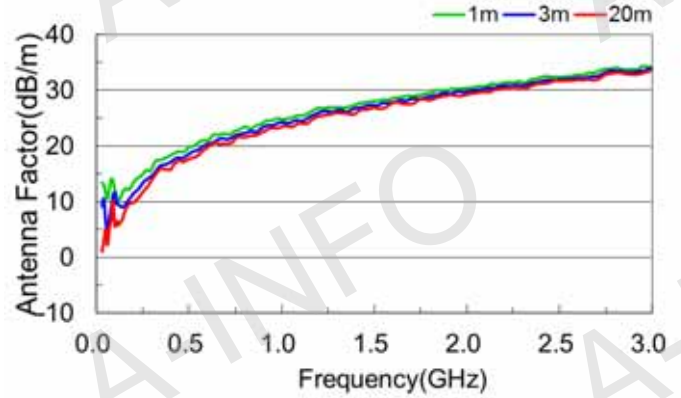
Log Periodic Antenna 30~3000MHz(continued)

P/N: DS-3300

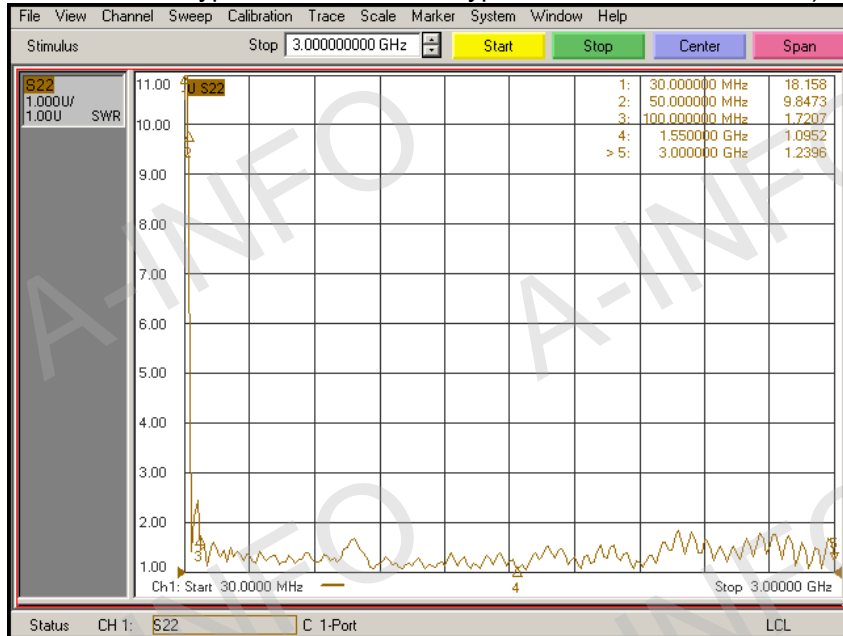
Gain



Antenna Factor

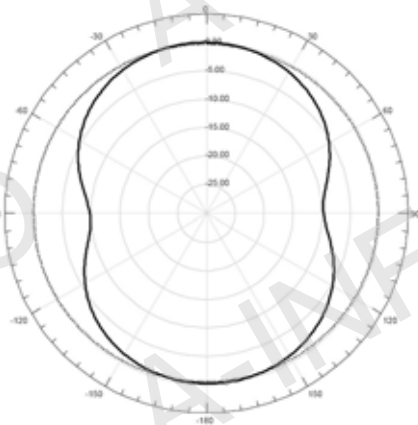


VSWR (10.0 Typ. 30-50MHz, 2.0 Typ. 50-100MHz, 1.5 Typ. / 2.0 Max 100-3000MHz)



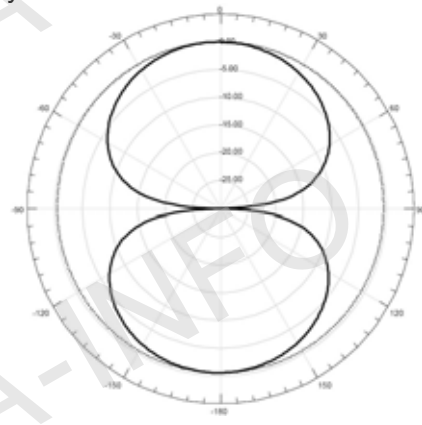
Pattern

Frequency: 30MHz



H-Plane — E-Plane - - - -

Frequency: 50MHz

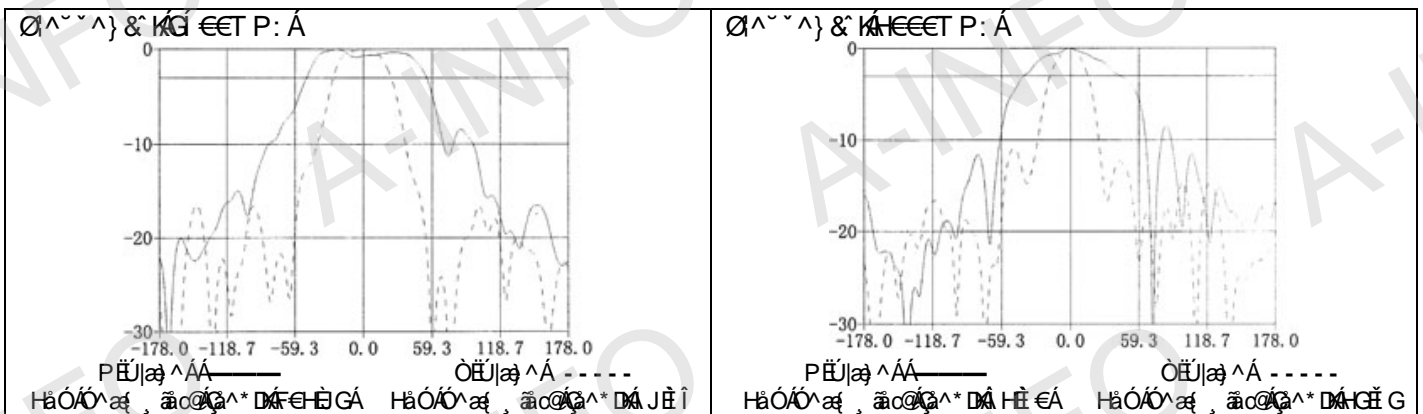
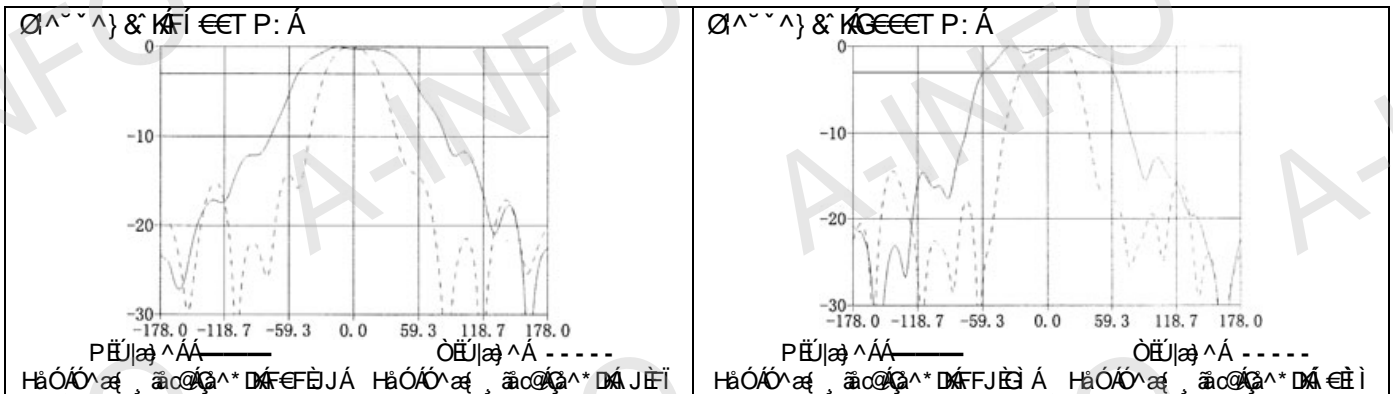
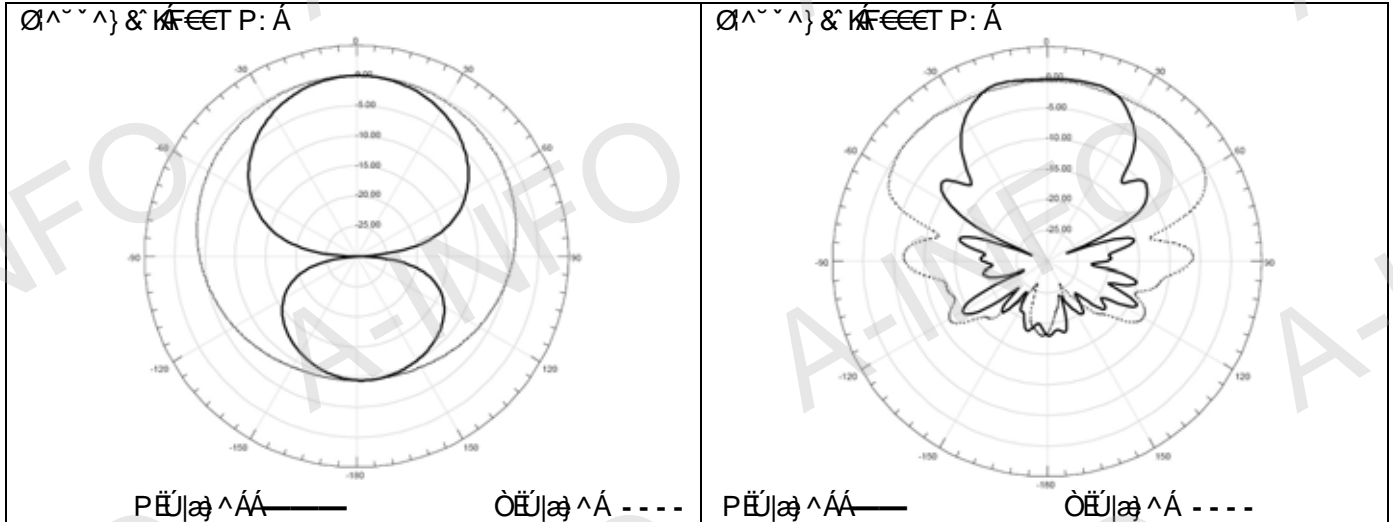


H-Plane — E-Plane - - - -

Log Periodic Antenna 30~3000MHz(continued)

P/N: DS-3300Á

Pattern



FJGÁ

Ó@æ^á * DÁÁÁ VÍKÉÍ DFEÍ GÍÈHGÍ Á
 Ó@æ^á * á DA VÍKÉÍ DGÍ ÈÍFJÈÍ Á
 WUCÁ VÍKÉÍ DFEÍ JÈÍ ÈHGÍ Á

ÉÍ DFEÍ GÍÈHGÍ Á
 ÉÍ DGÍ ÈÍFJÈÍ Á
 ÉFDÁ JÈÍ HÚÍ É Á

Ó@KÉÍ DFEÍ GÍÈHÍ Á
 Ó@KÉÍ DGÍ ÈÍFJÈÍ Á
 Ó@KÉÍ DFEÍ JÈÍ HÚÍ Í Á

Y^á * á KÉÍ, ÈÍ f@ ÈÍ (
 Ó@æ^á * Ó@æ^á f@ ÈÍ (

Log Periodic Antenna 100~400MHz

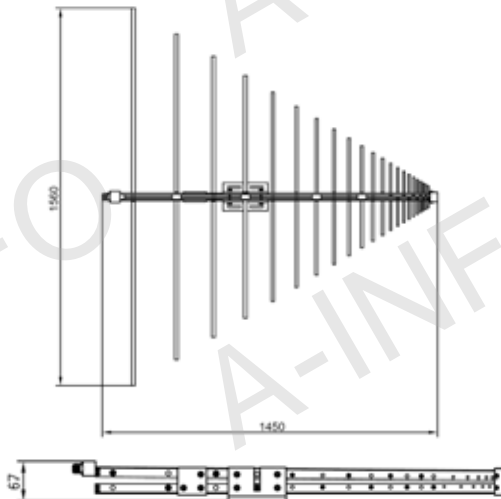
P/N: DS-1040



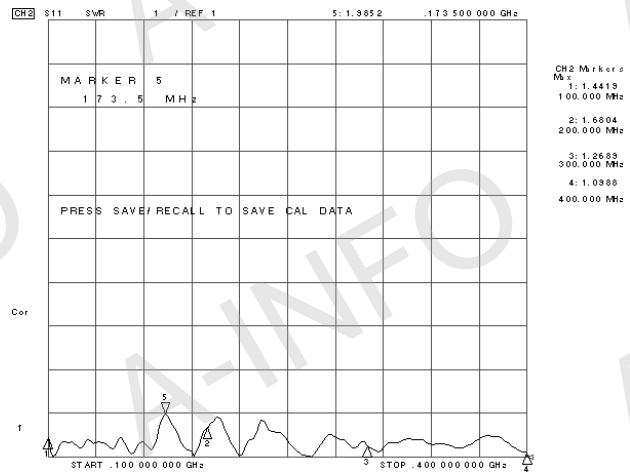
Technical Specification

Polarization	Linear
Frequency Range(MHz)	100-400
Gain(dB)	6 Typ.
VSWR	2:1 Max
Connector	N-Female
Size(mm)	1560 x 1450
Net Weight(Kg)	2.5 Around

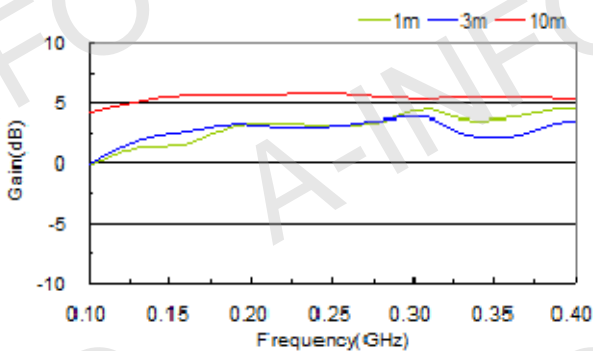
Outline Drawing(Size: mm)



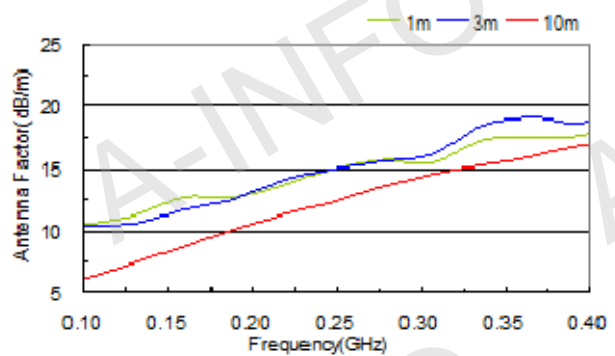
VSWR



Gain



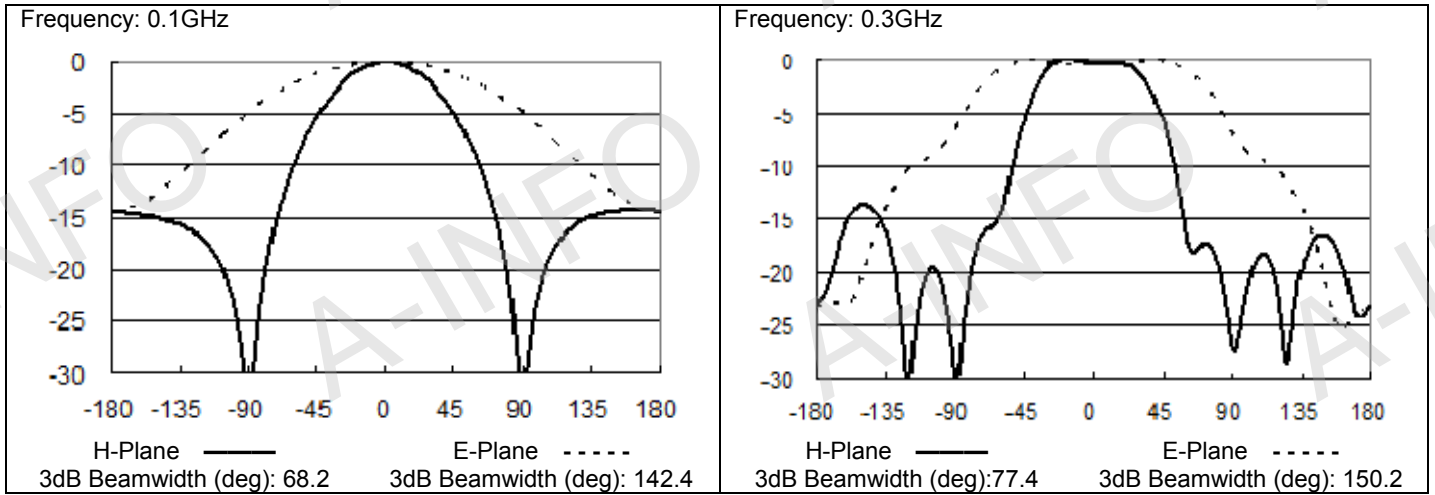
Antenna Factor



Log Periodic Antenna 100~400MHz(continued)

P/N: DS-1040

Pattern



Log Periodic Antenna 100~4000MHz

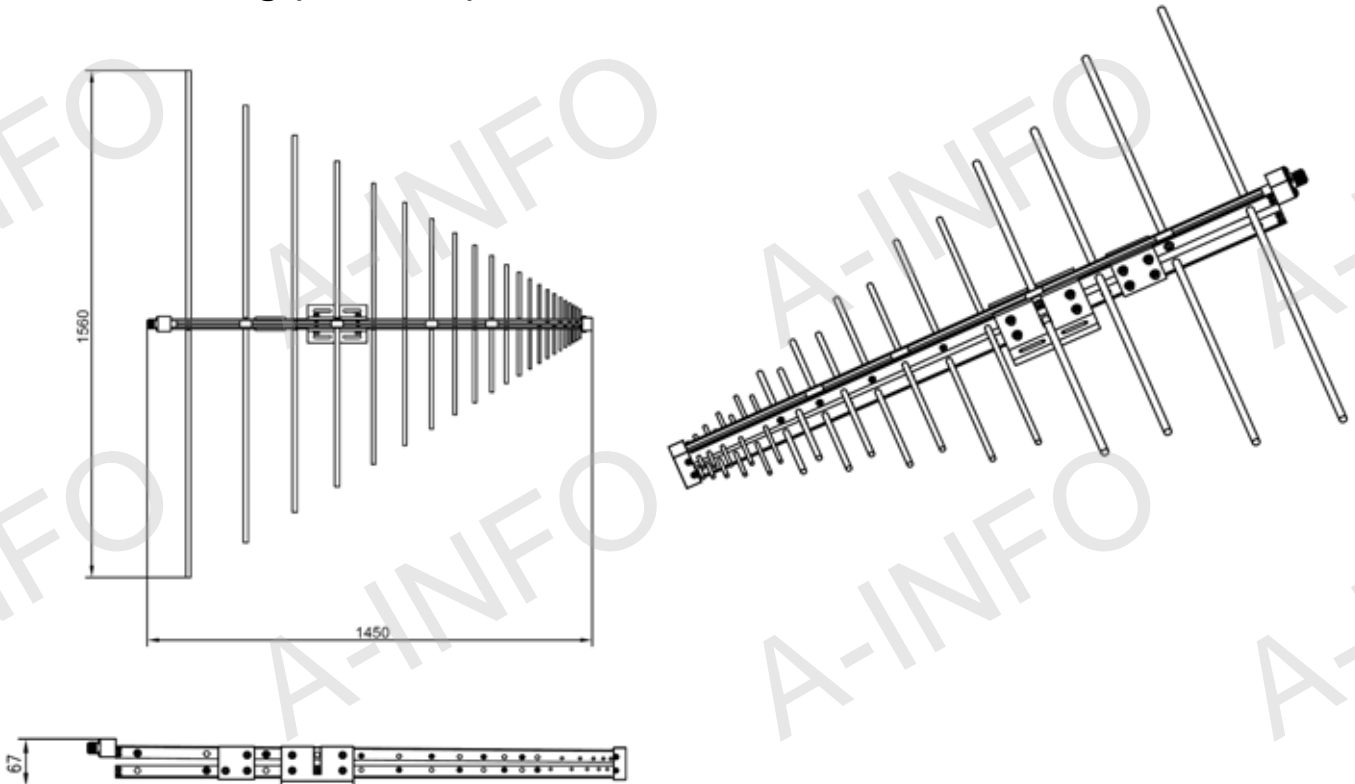
P/N: DS-10400



Technical Specification

Frequency Range(GHz)	0.1 - 4.0
Gain(dB)	6 Typ.
Polarization	Linear
VSWR	2.0 Typ.
Connector	N-Female
Size(mm)	1560 x 1450
Net Weight(Kg)	2.5 Around

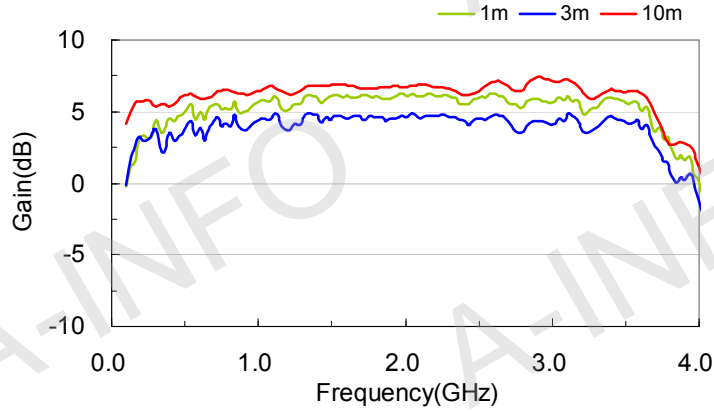
Outline Drawing (Size: mm)



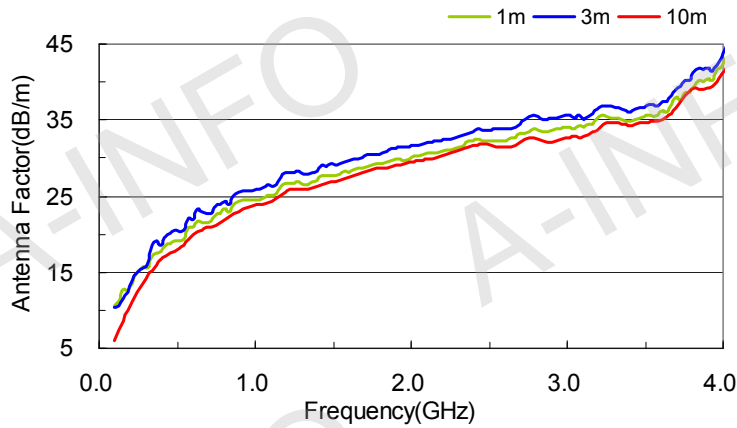
Log Periodic Antenna 100~4000MHz(continued)

P/N: DS-10400

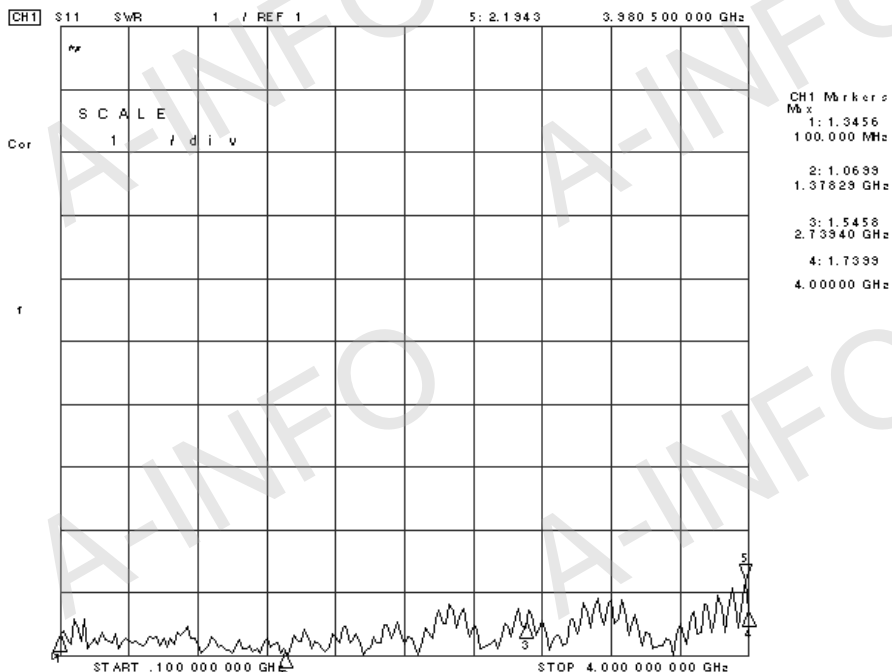
Gain



Antenna Factor



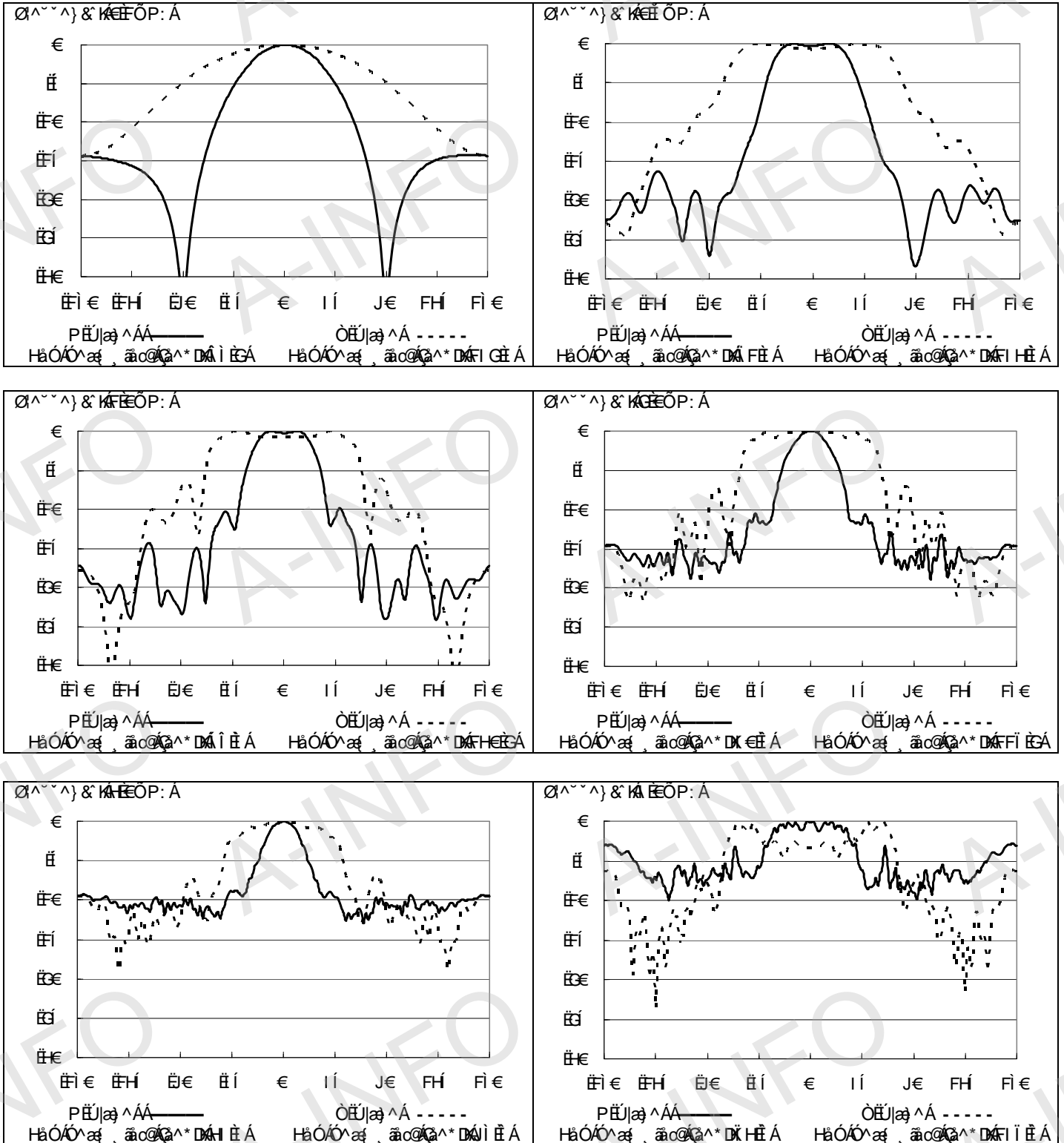
VSWR



Log Periodic Antenna 100~4000MHz(continued)

P/N: DS-10400

Pattern



Log Periodic Antenna 180~3000MHz

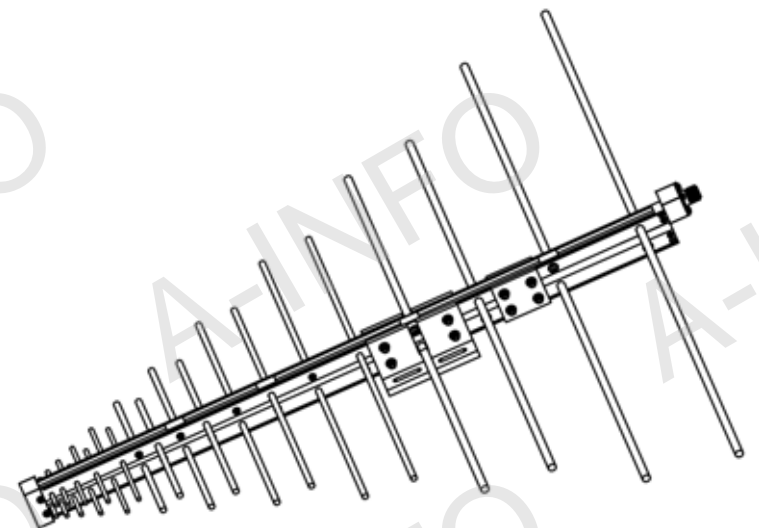
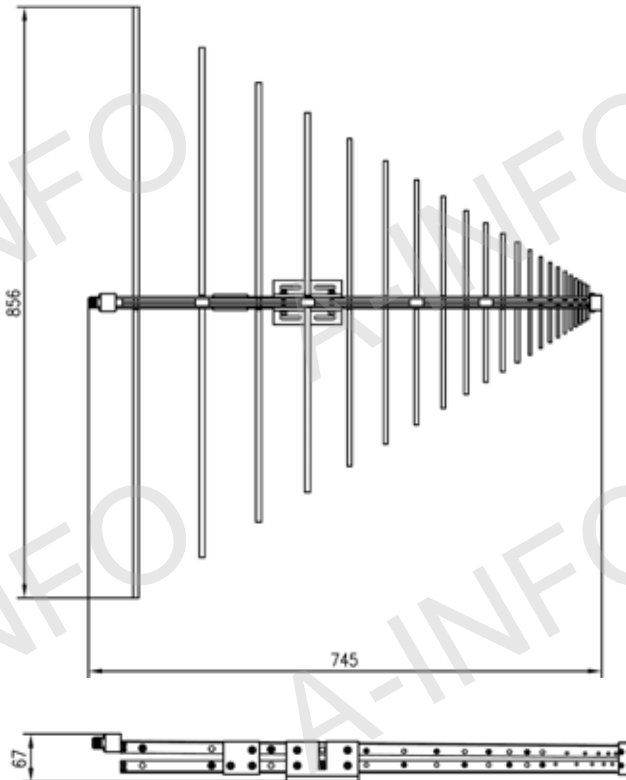
P/N: DS-18300



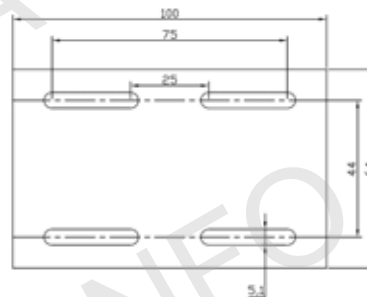
Technical Specification

Polarization	Linear
Frequency(MHz)	180-3000
Gain(dB)	6 Typ.
VSWR	2.0 Typ.
Connector	N-F
Size(mm)	856 x 745
Net Weigth(Kg)	1.0 Around

Outline Drawing(Size: mm)



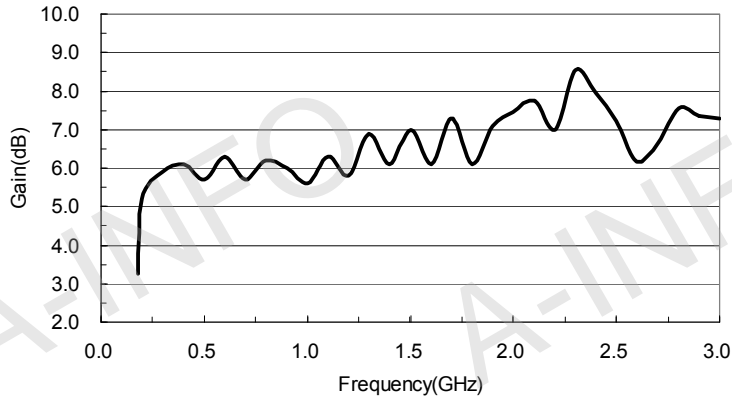
Mounting Plates



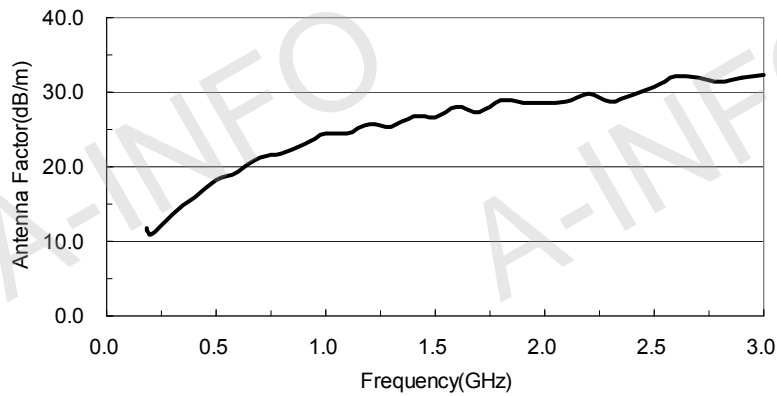
Log Periodic Antenna 180~3000MHz(continued)

P/N: DS-18300

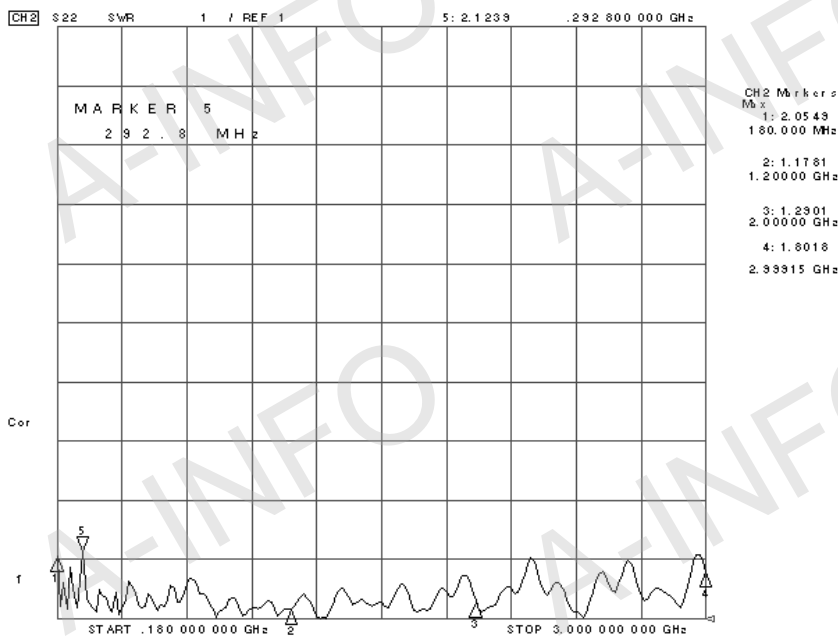
Gain



Antenna Factor



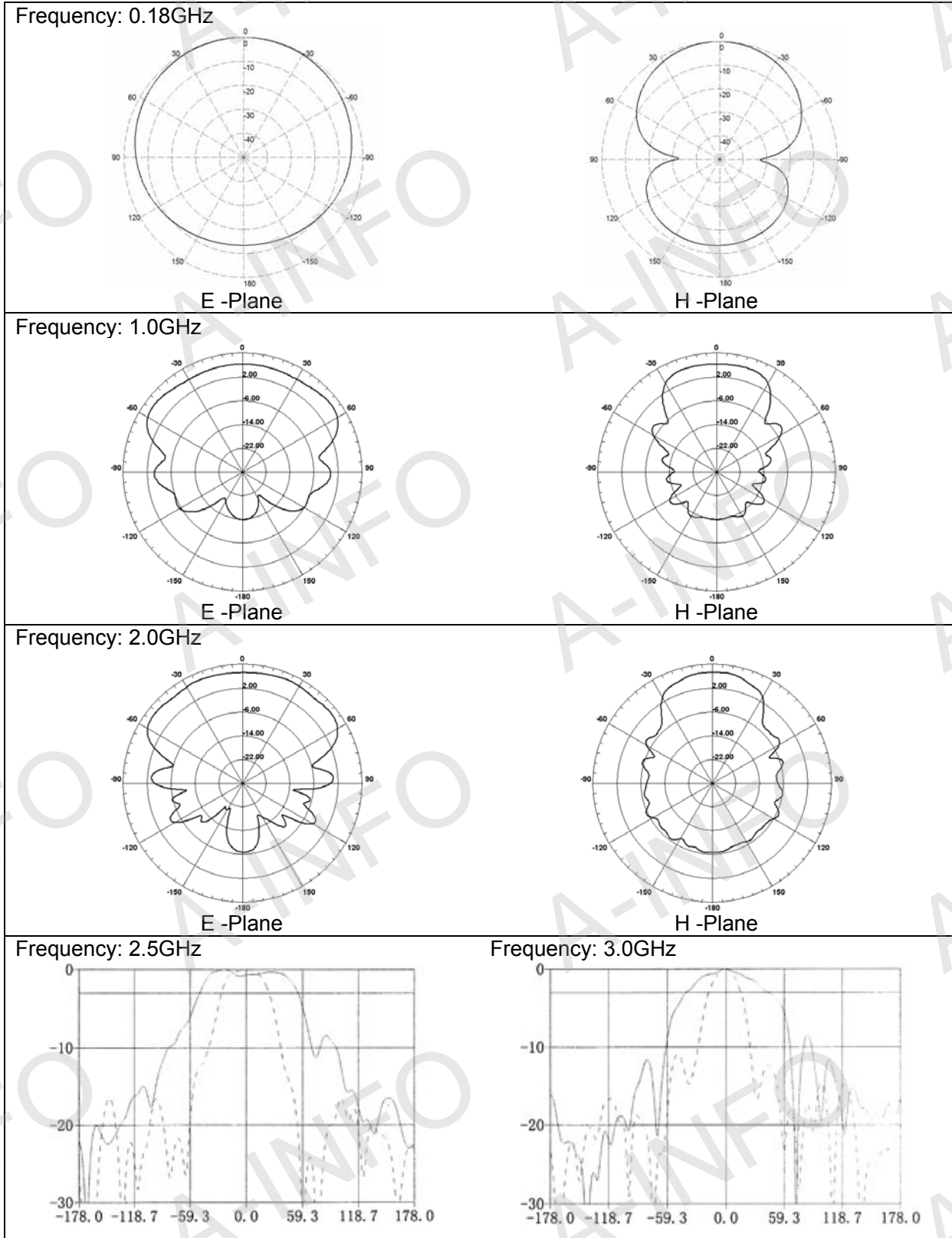
VSWR



Log Periodic Antenna 180~3000MHz(continued)

P/N: DS-18300

Pattern



Log Periodic Antenna 200~2000MHz

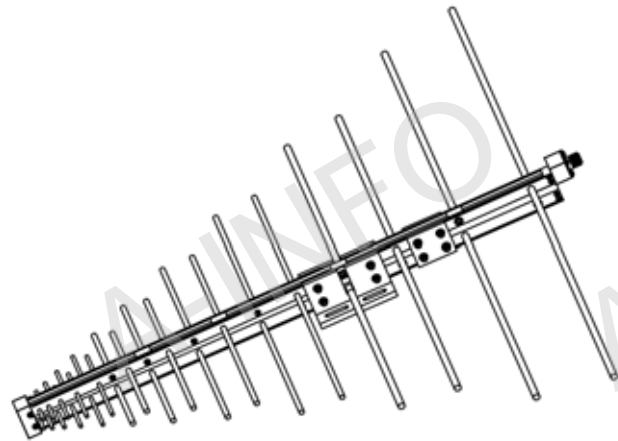
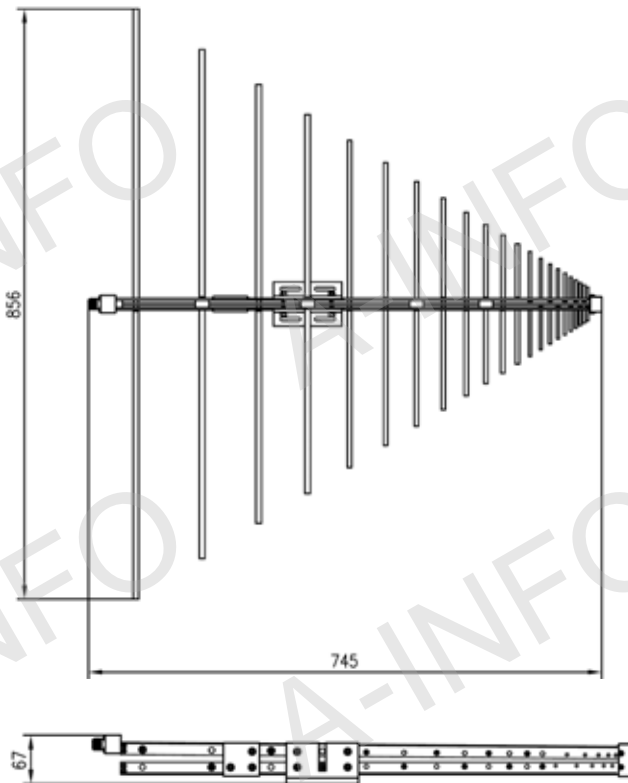
P/N: DS-20200



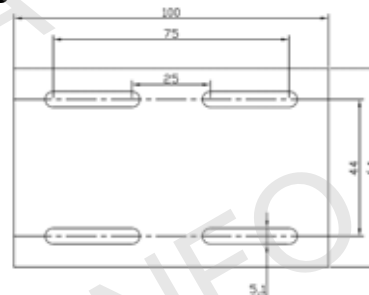
Technical Specification

Frequency Range(MHz)	200-2000
Gain(dB)	6 Typ.
Polarization	Linear
VSWR	2.0 :1Typ.
Connector	N-Female
Size(mm)	856 x 745
Net Weight(Kg)	1.0 Around

Outline Drawing(Size: mm)



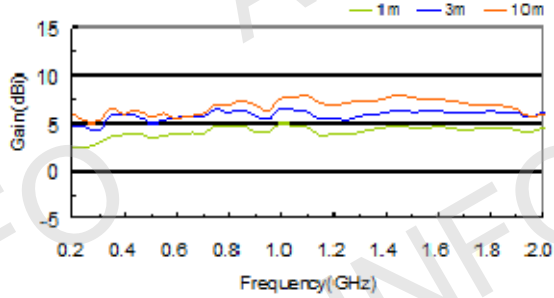
Mounting Bracket



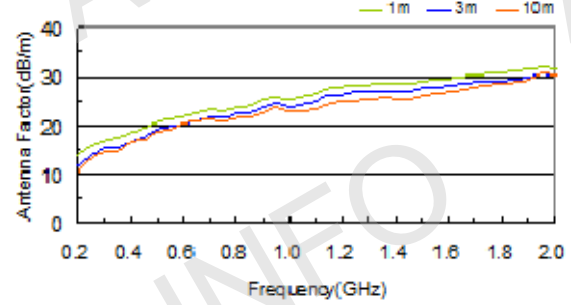
Log Periodic Antenna 200~2000MHz(continued)

P/N: DS-20200

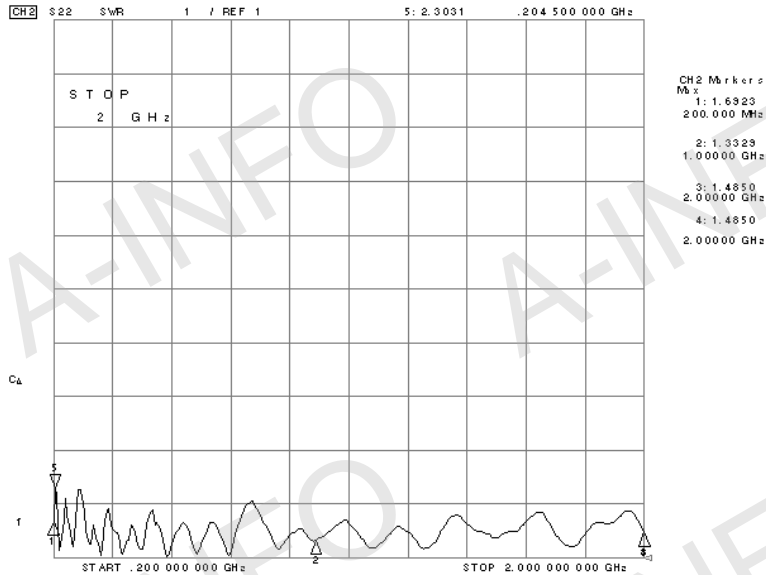
Gain



Antenna Factor



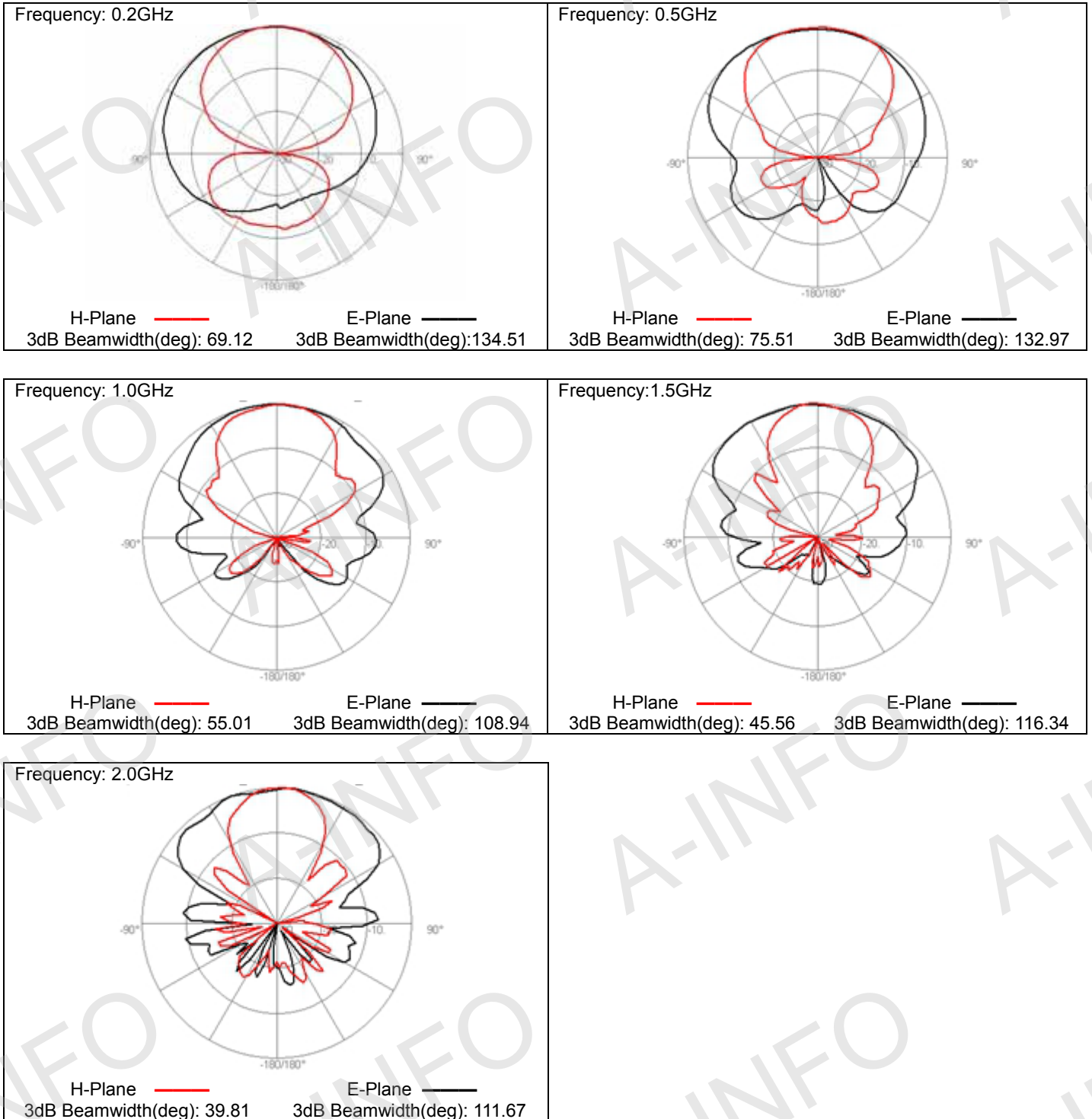
VSWR



Log Periodic Antenna 200~2000MHz(continued)

P/N: DS-20200

Pattern



Log Periodic Antenna 250~3000MHz, High Gain

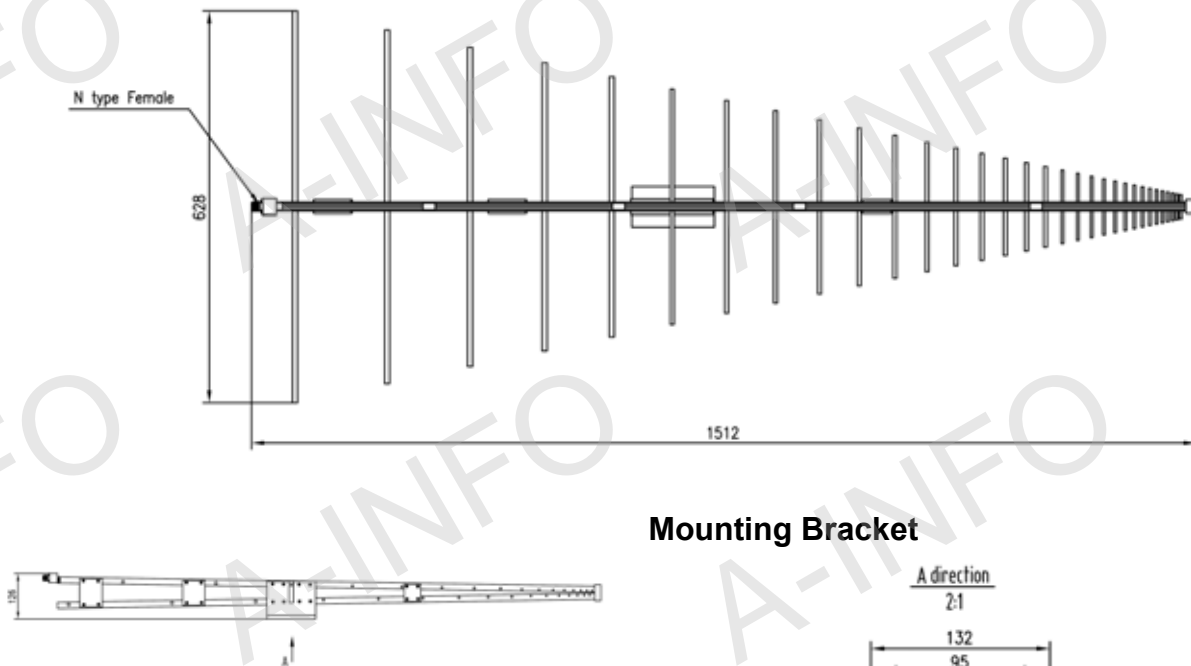
P/N: DS-25300-H



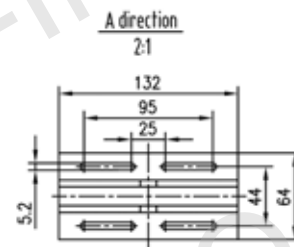
Technical Specification

Polarization	Linear
Frequency Range(MHz)	250-3000
Gain(dB)	8.5 Typ.
VSWR	2.0 Typ
Connector	N-Female
Size(mm)	628x1512x126
Net Weight(Kg)	2.0 Around

Outline Drawing(Size: mm)



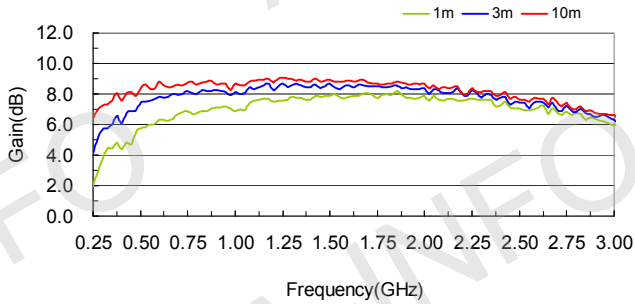
Mounting Bracket



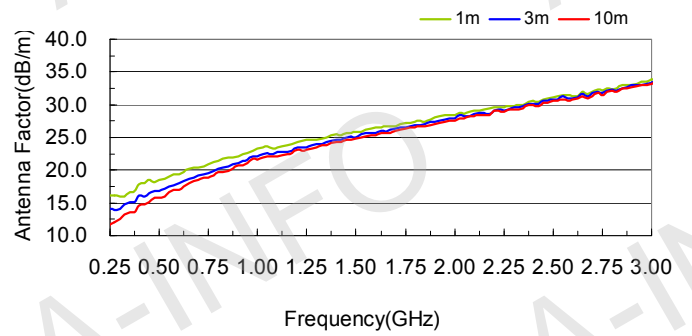
Log Periodic Antenna 250~3000MHz, High Gain (continued)

P/N: DS-25300-H

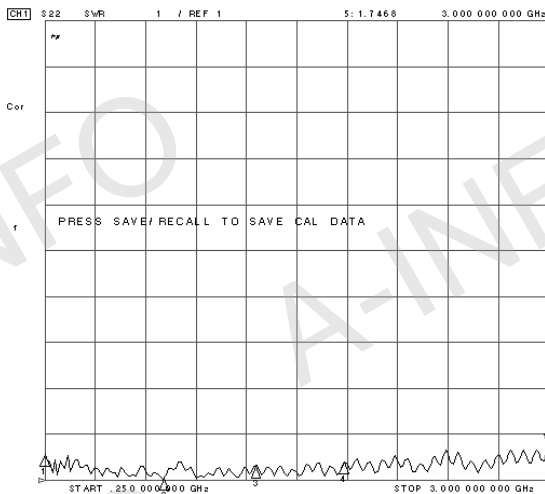
Gain



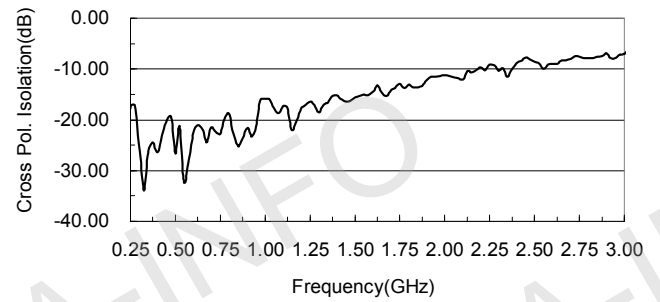
Antenna Factor



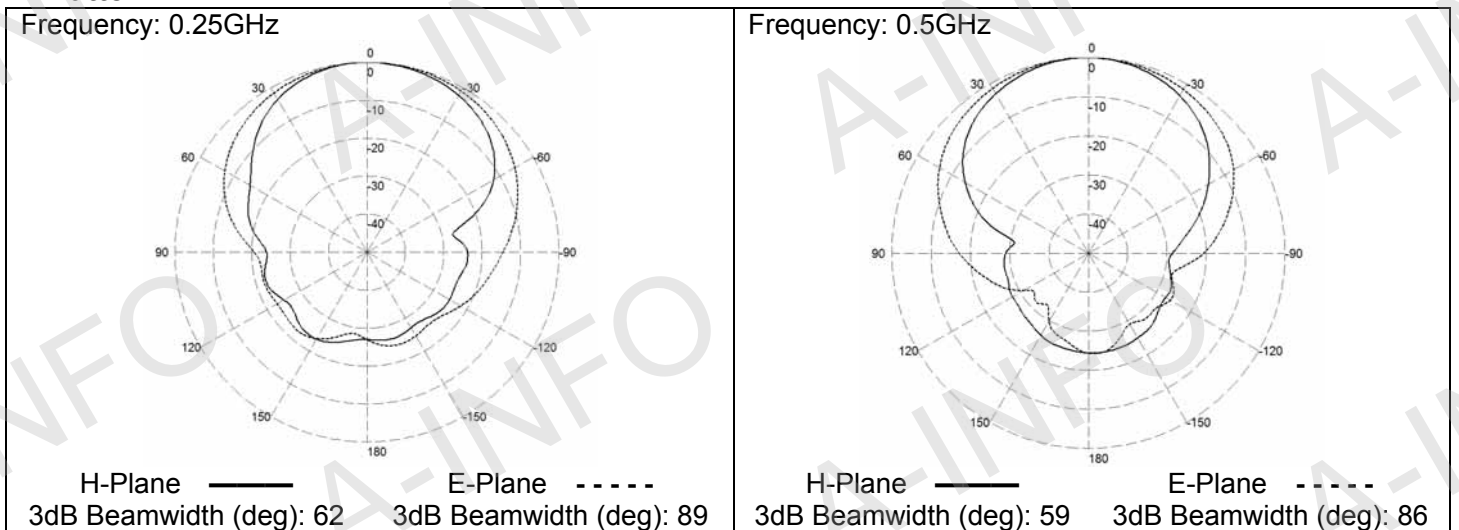
VSWR



Cross Polarization Isolation

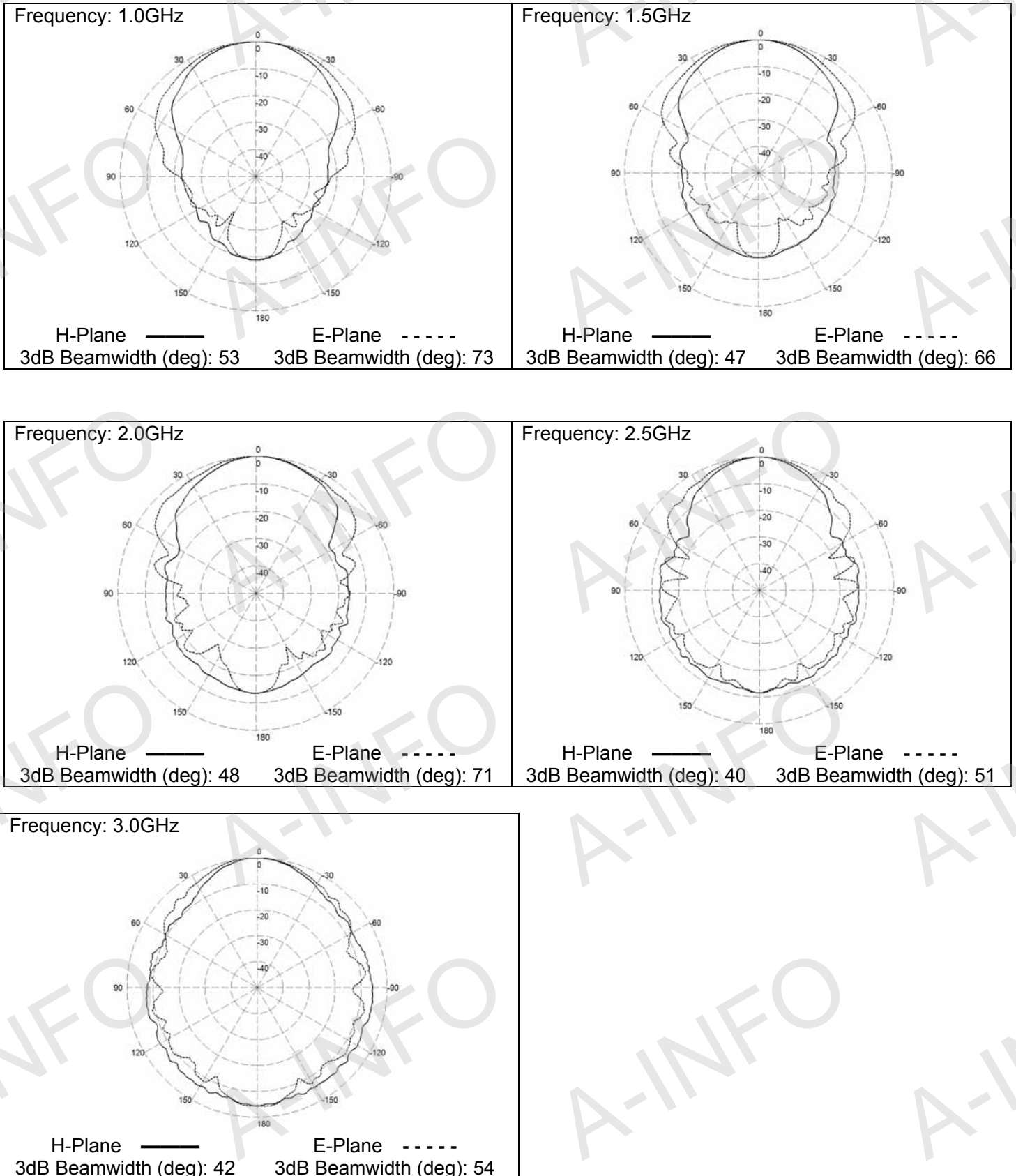


Pattern



Log Periodic Antenna 250~3000MHz, High Gain (continued)

P/N: DS-25300-H



Log Periodic Antenna 400~3000MHz

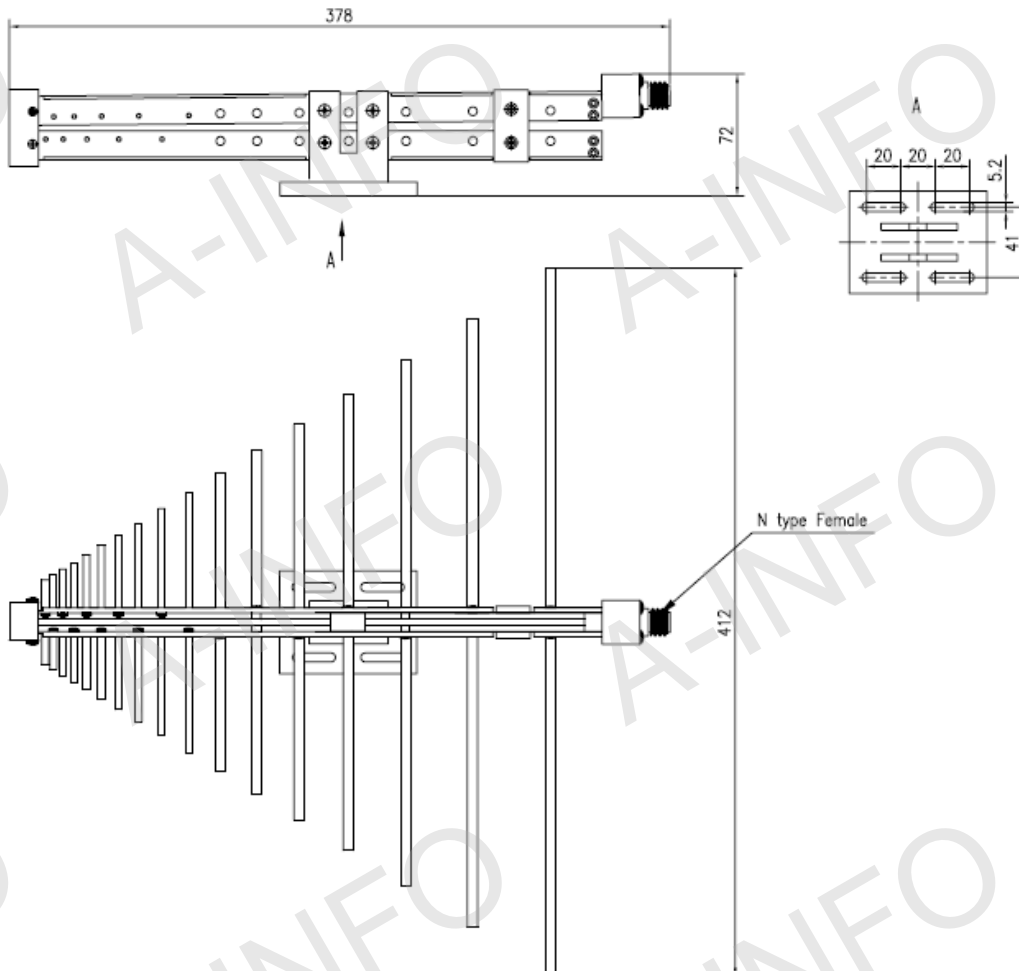
P/N: DS-40300



Technical Specification

Frequency Range(GHz)	0.4 - 3.0
Gain(dB)	6.0 Typ.
Polarization	Linear
VSWR	1.5 Typ. 2.5 Max
3dB Beamwidth(deg)	140-30
Connector	N-Female
Size(mm)	412 x 378
Net Weight(Kg)	0.6 Around

Outline Drawing(Size: mm)

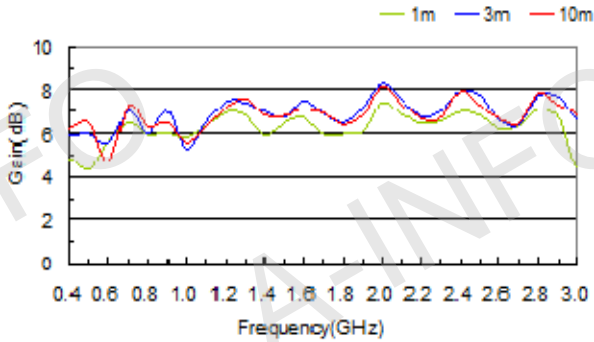


Log Periodic Antenna 400~3000MHz(continued)

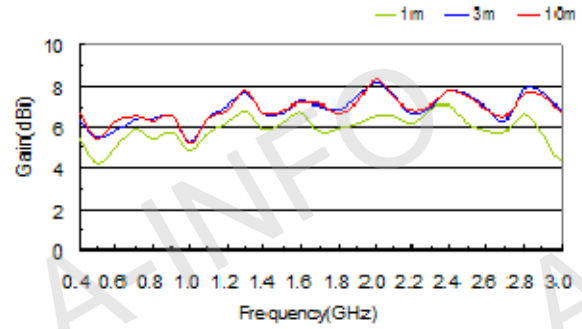
P/N: DS-40300

Gain

Horizontal Pol.

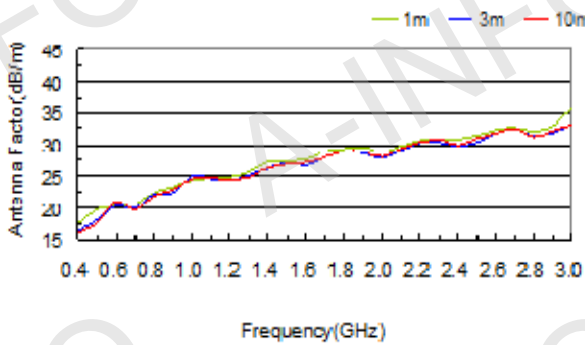


Vertical Pol.

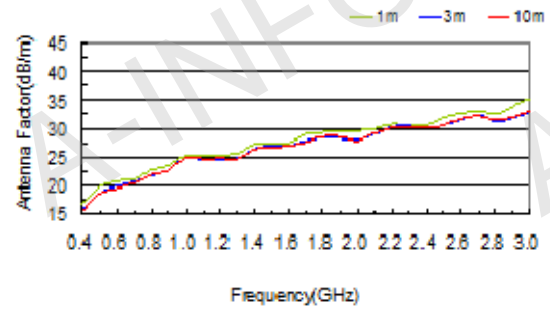


Antenna Factor

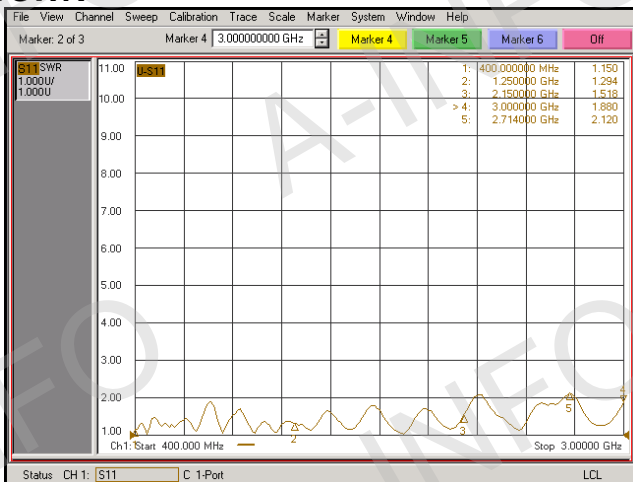
Horizontal Pol.



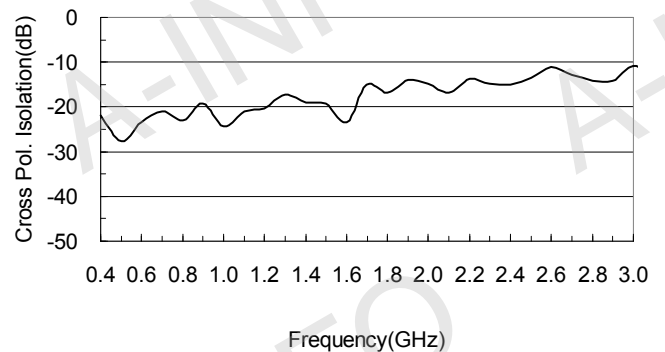
Vertical Pol.



VSWR



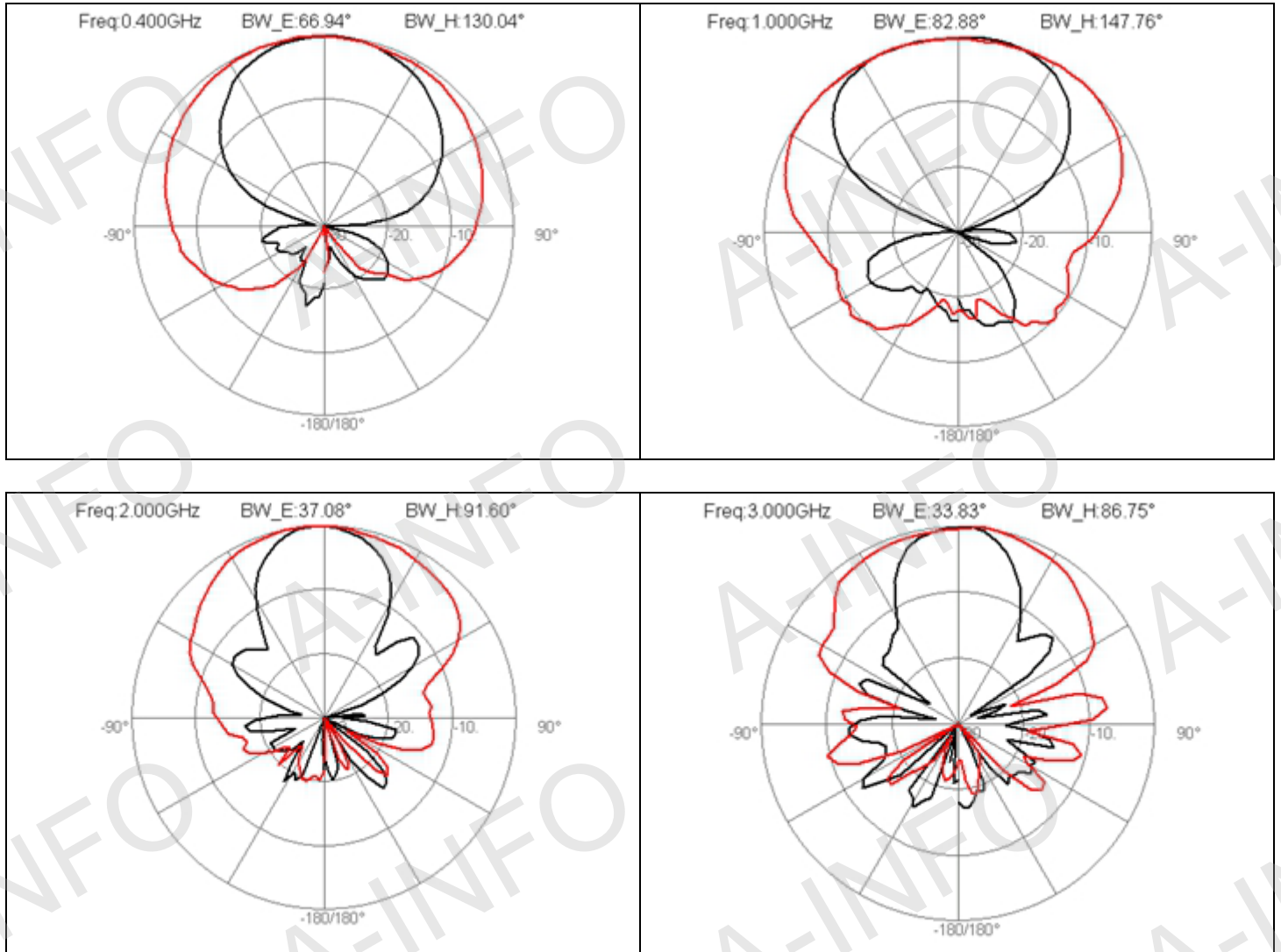
Cross Polarization Isolation



Log Periodic Antenna 400~3000MHz(continued)

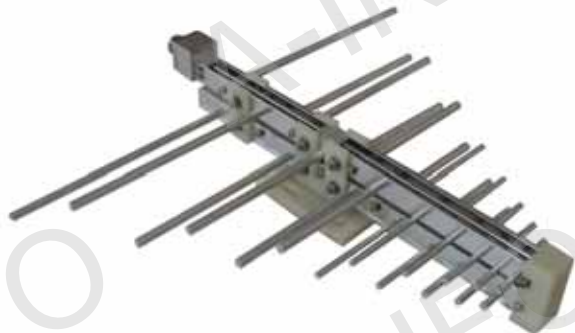
P/N: DS-40300

Pattern



Log Periodic Antenna 500~3000MHz

P/N: DS-50300



P/N: DS-50300C



P/N: DS-50300E



Technical Specification

Frequency Range(MHz)	0.5-3.0
Gain(dB)	7.0Typ.
Polarization	Linear
3dB Beamwidth(deg)	140-30
VSWR	1.5 Typ
	2.5 Max
Connector	N-Female
Size(mm)	355 x 337
Net Weight(Kg)	0.5 Around

Technical Specification

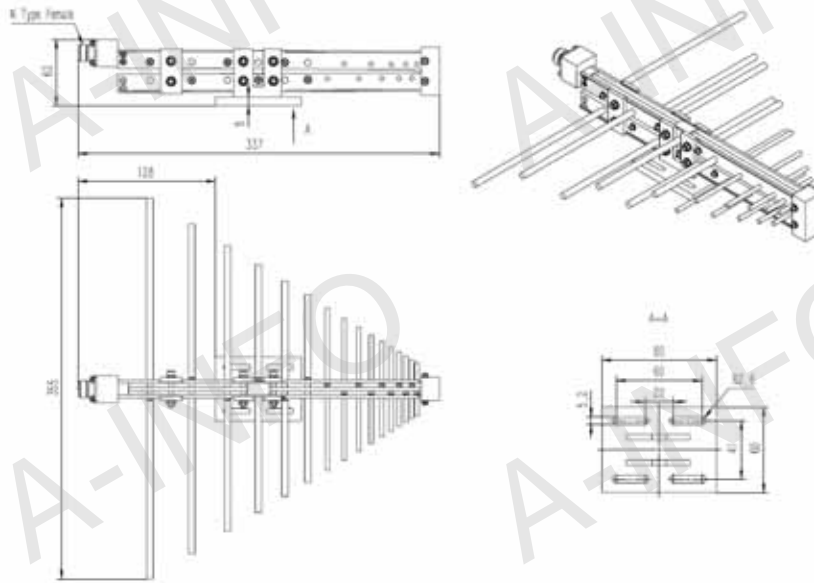
Frequency Range(MHz)	0.5-3.0
Gain(dB)	7.0Typ.
Polarization	Linear
3dB Beamwidth(deg)	140-30
VSWR	1.5 Typ
	2.5 Max
Connector	N-Female
Size(mm)	355 x 329
Net Weight(Kg)	0.7 Around

Technical Specification

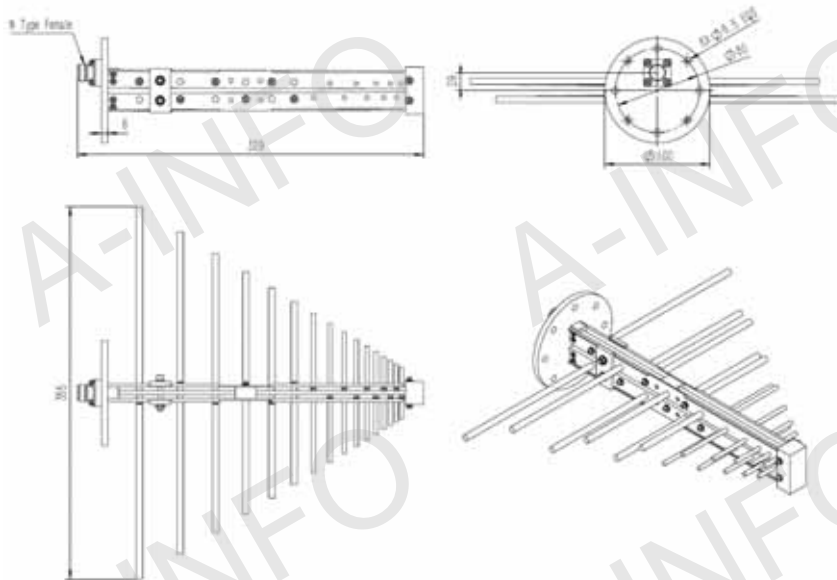
Frequency Range(MHz)	0.5-3.0
Gain(dB)	7.0Typ.
Polarization	Linear
3dB Beamwidth(deg)	140-30
VSWR	1.5 Typ
	2.5 Max
Connector	N-Female
Size(mm)	355 x 550
Net Weight(Kg)	0.7 Around

Outline Drawing (Size: mm)

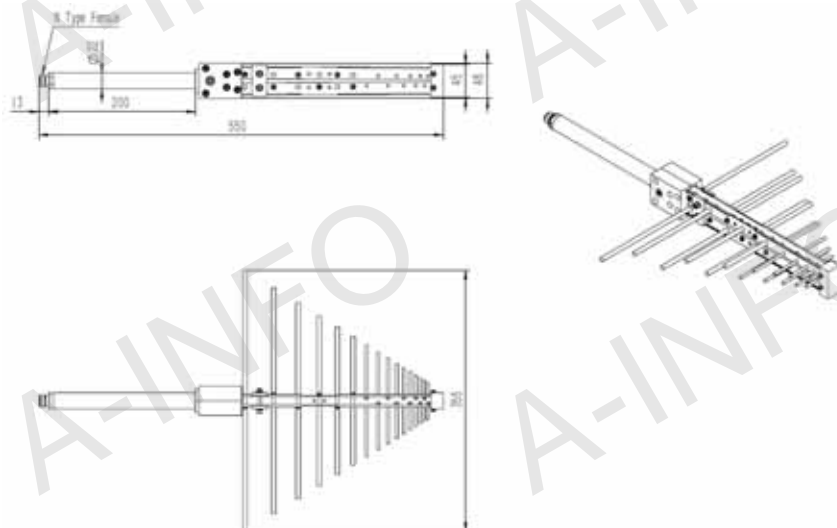
DS-50300 with Mounting Bracket



DS-50300C



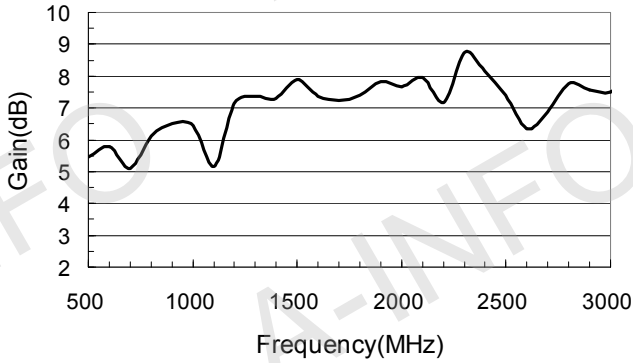
DS-50300E



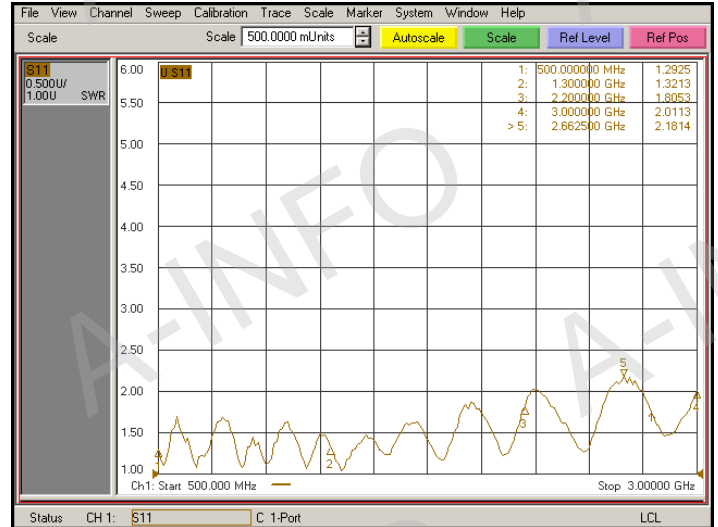
Log Periodic Antenna 500~3000MHz(continued)

P/N: DS-50300

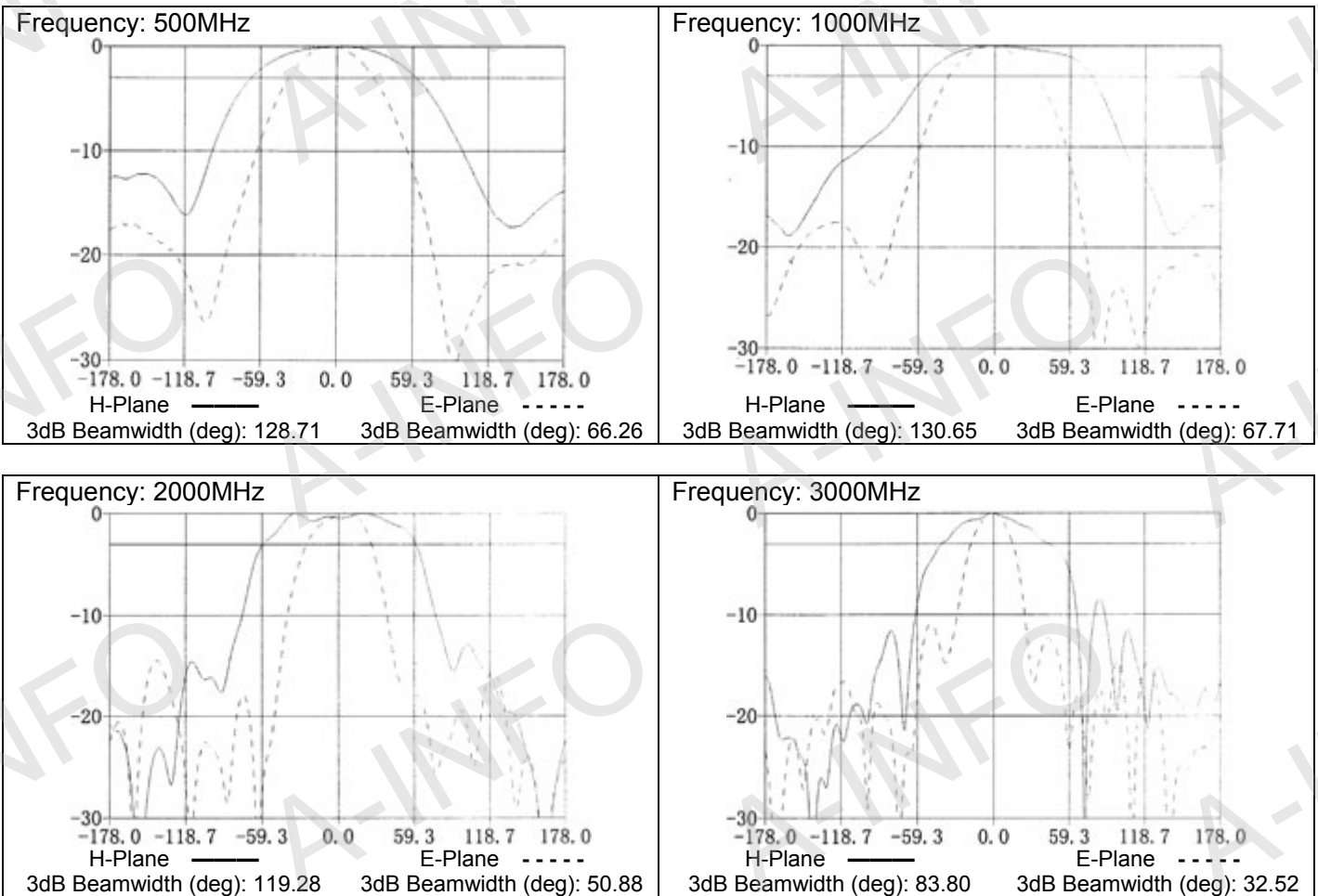
Gain



VSWR



Pattern



Dual Pol. Log Periodic Antenna 200~4000MHz

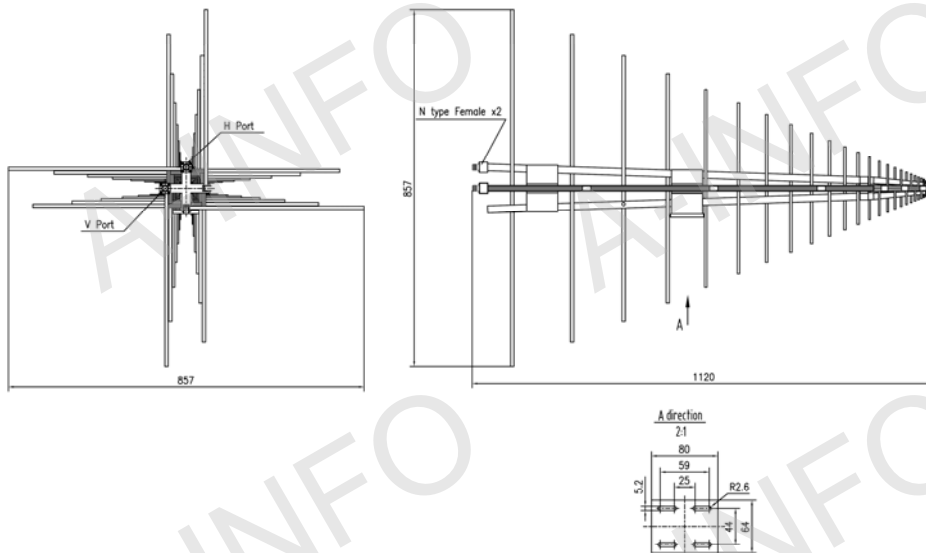
P/N: DS-SJ-20400



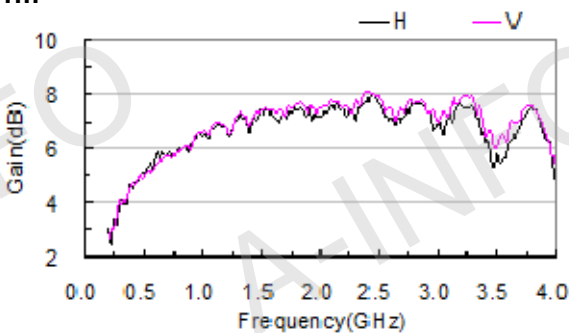
Technical Specification

Frequency Range(GHz)	0.2~4.0
Gain(dB)	5~8
Polarization	Horizontal/Vertical
VSWR	1.5~2.0
Connector	N type
Size(mm)	1120x1120x112
Net Weight(Kg)	1.5

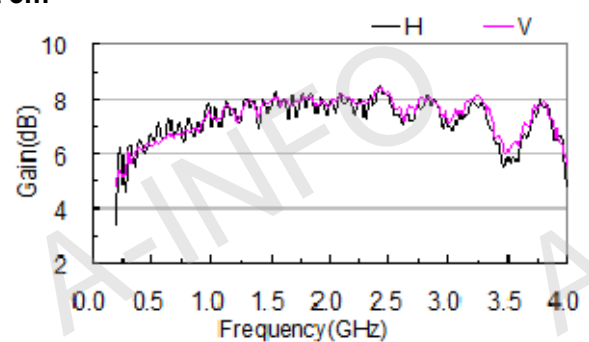
Outline Drawing(Size: mm)



Gain At 1m



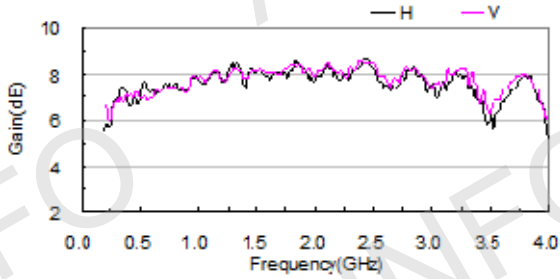
Gain At 3m



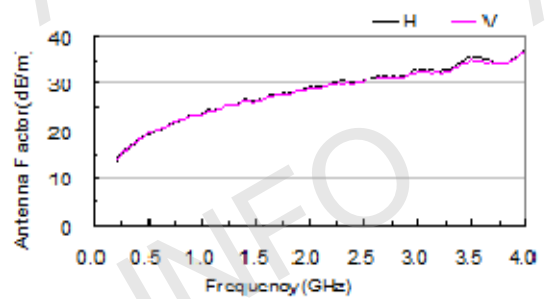
Dual Pol. Log Periodic Antenna 200~4000MHz(continued)

P/N: DS-SJ-20400

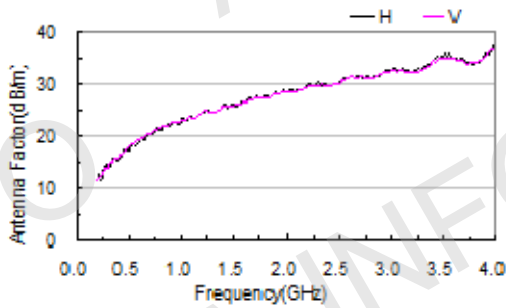
**Gain
At 10m**



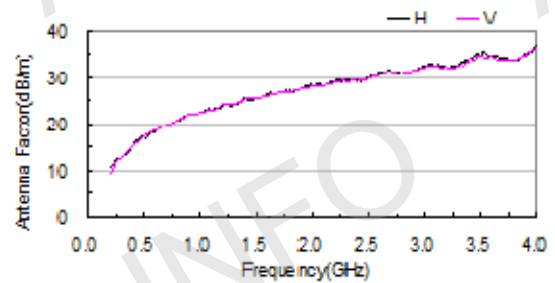
**Antenna Factor
At 1m**



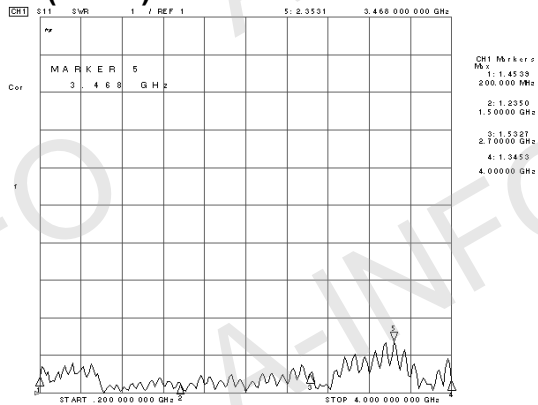
**Antenna Factor
At 3m**



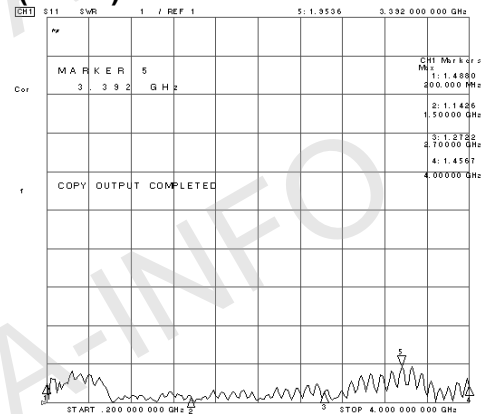
**Antenna Factor
At 10m**



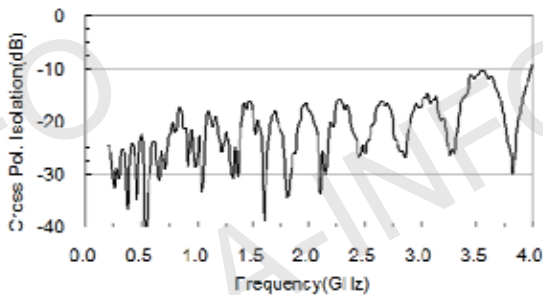
VSWR (H Port)



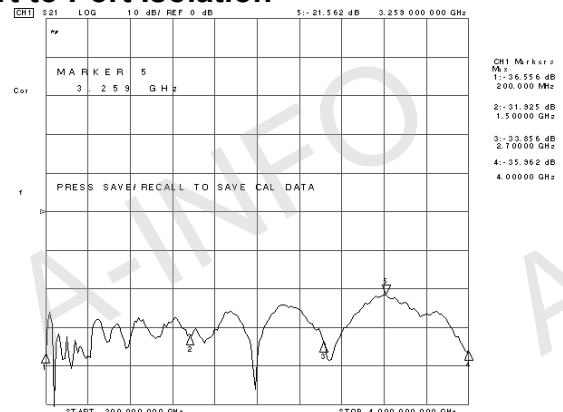
VSWR (V Port)



Cross Polarization Isolation



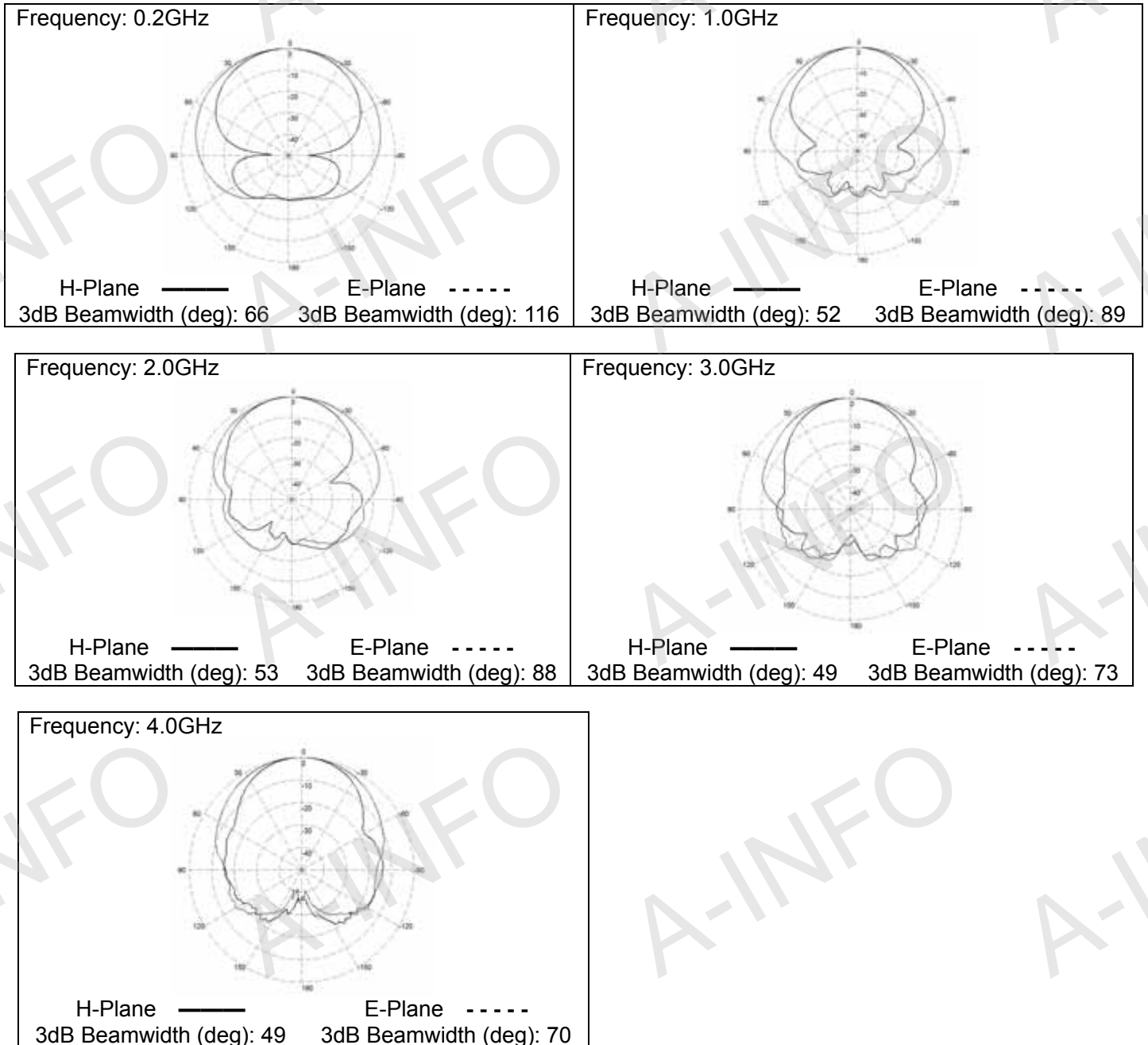
Port to Port Isolation



Dual Pol. Log Periodic Antenna 200~4000MHz(continued)

P/N: DS-SJ-20400

Pattern



Discone-Type Antenna



PZ series discone antenna is a kind of broadband omni-directional linearly polarized antenna. Our discone antenna is designed to transmit and receive signal. Its Typical gain is 1dB on the greatest radiation direction. By adding a LNA, it can be used as an active antenna, and the gain can be increased to larger than 10dB, but it is changed to a received only antenna.

Also we provide specific frequency Discone-Type antennas according to customers' requirement.

For detailed test data, pls. Log on www.ainfoinc.com – Antenna – Discone-type Antenna and download.

Model	Frequency(MHz)	VSWR Typ.	Power (W) CW	Connector	Size (mm) (Φ x H)
PZ-450/P	40-500	2.5:1	300	N-Female	2289x2377
PZ-7100/P	70-1000	2.5:1	200	N-Female	1340x1163
PZ-850/P	80-500	2.0:1	300	N-Female	1247x1163
PZ-1040/P	100-400	2.0:1	300	N-Female	1247x1163
PZ-2040/P	200-400	2.5:1	300	N-Female	-
PZ-25100/P	250-1000	2.0:1	300	N-Female	423x361
PZ-80200/P	800-2000	2.5:1	200	N-Female	155 x 140
PZ-100800/P	1000-8000	2.5:1	80	SMA-Female	110 x 71
PZ-1001200/P	1000-12000	2.0:1	80	SMA-Female	110 x 71
PZ-1001800/P	1000-18000	2.0:1	80	SMA-Female	110 x 71
PZ-8001800/P	8000-18000	2.5:1	80	SMA-Female	45 x 60

Discone-Type Antenna 40~500MHz

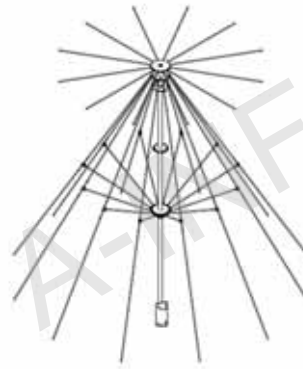
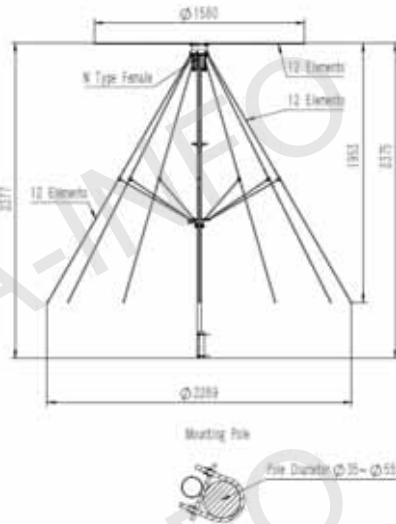
P/N: PZ-450/P



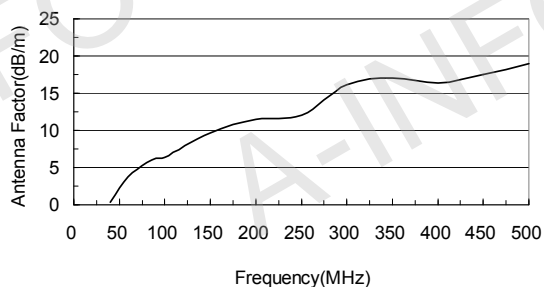
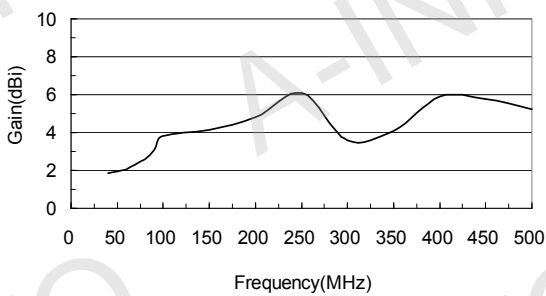
Technical Specification

Frequency(MHz)	40-500
Polarization	Vertical
VSWR	2.5:1 Typ.
Power(W)	300 CW
Connector	N-Female
Size(mm) Φ x H	Φ 2289x2377
Net Weight	8.57Kg

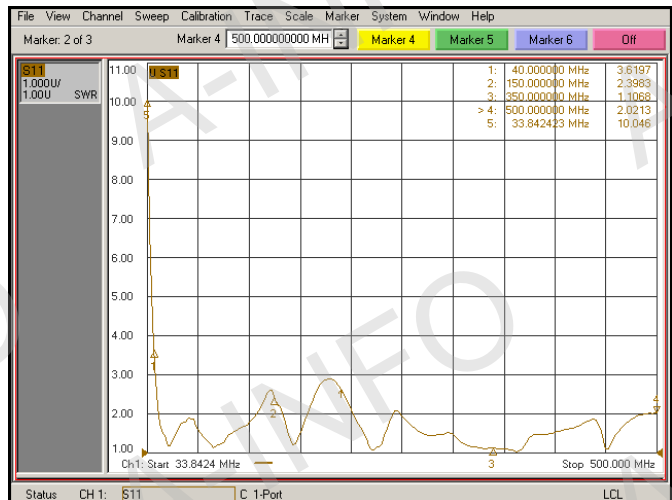
Outline Drawing (Size: mm)



Gain & Antenna Factor



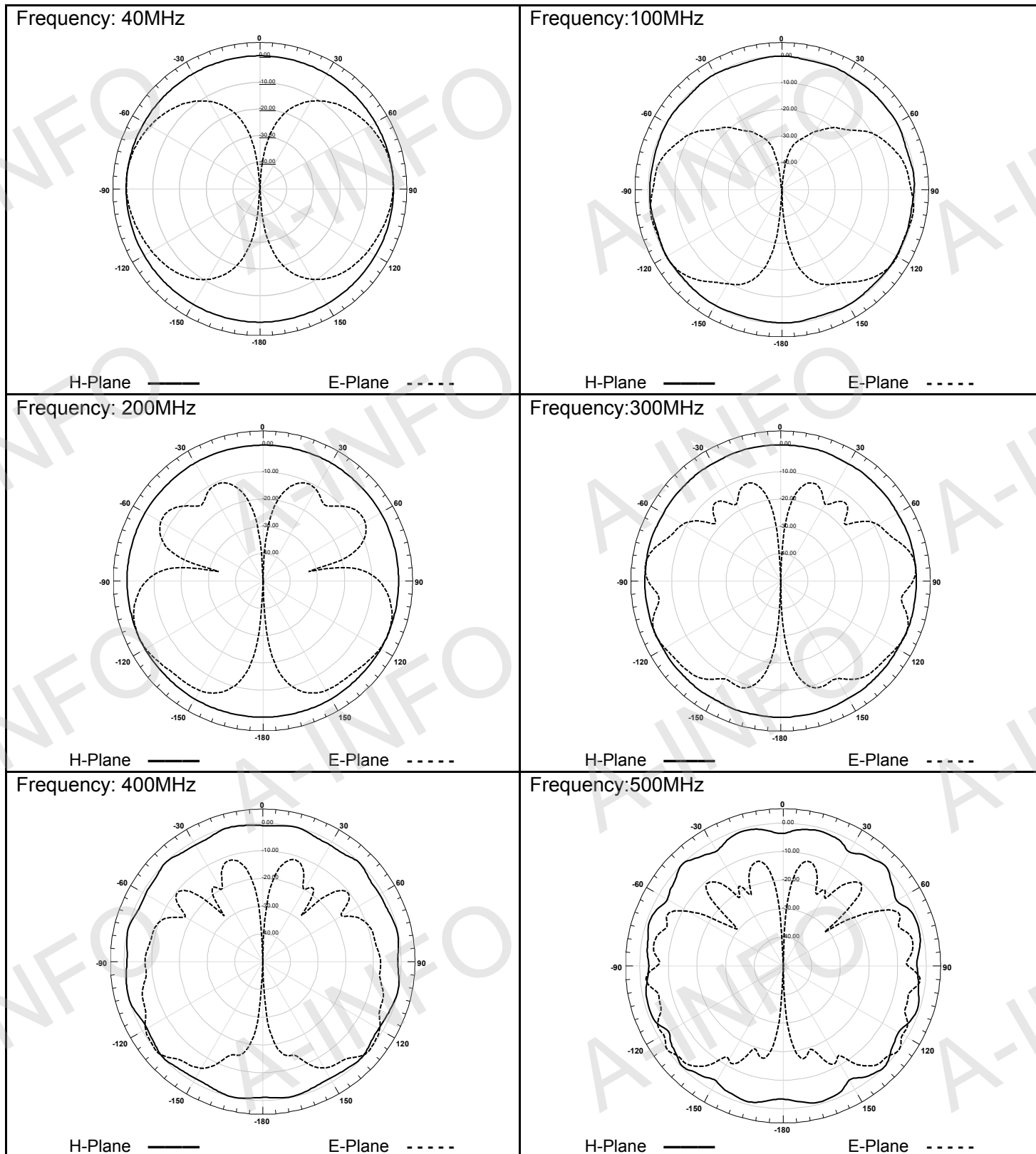
VSWR



Discone-Type Antenna 40~500MHz(continued)

P/N: PZ-450/P

Pattern



Discone-Type Antenna 70~1000MHz

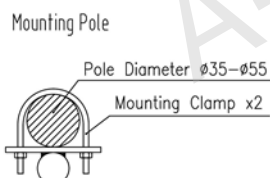
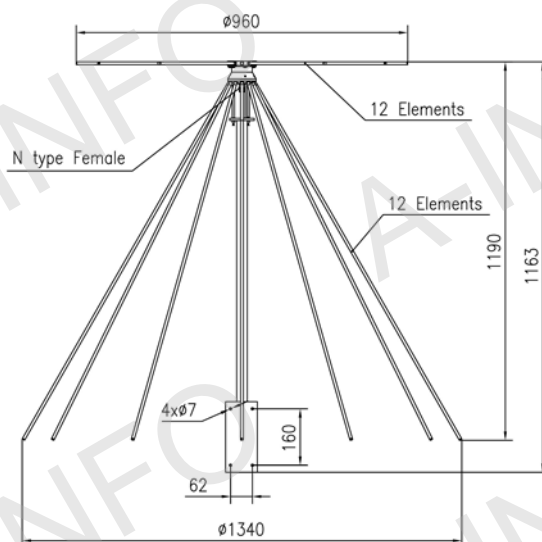
P/N: PZ-7100/P



Technical Specification

Frequency(MHz)	70-1000
Gain(dB)	3 Typ
Polarization	Linear
VSWR	2.0:1 Typ.
Power(W)	300 CW
Connector	N-Female
Size(mm) x H	Φ1340x1163
Net Weight(Kg)	3.5 Around

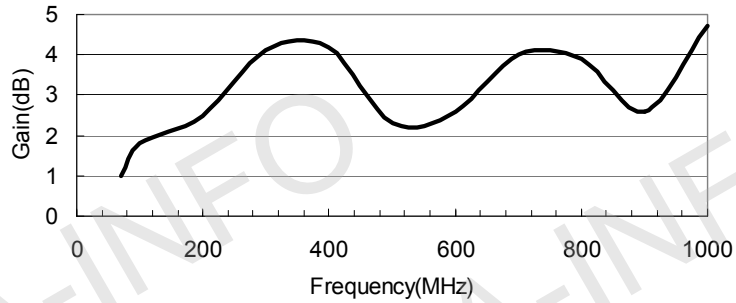
Outline Drawing (Size: mm)



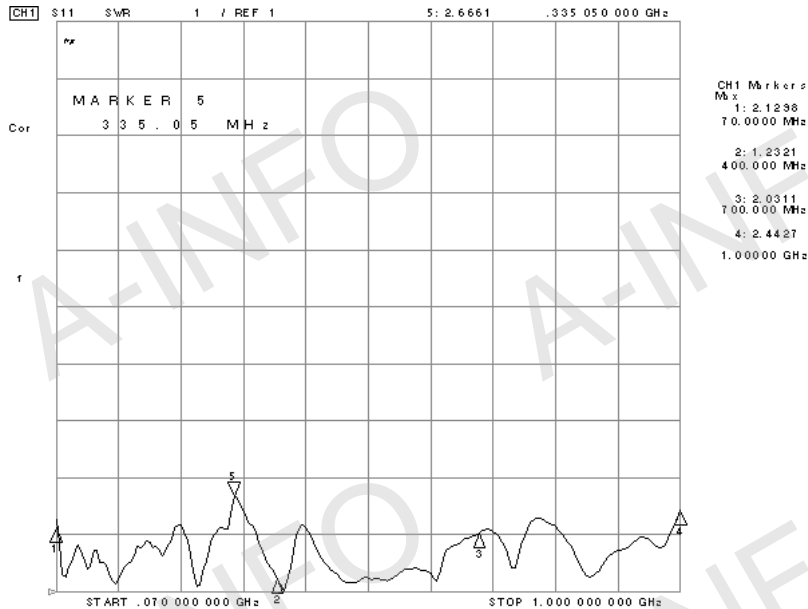
Discone-Type Antenna 70~1000MHz(continued)

P/N: PZ-7100/P

Gain



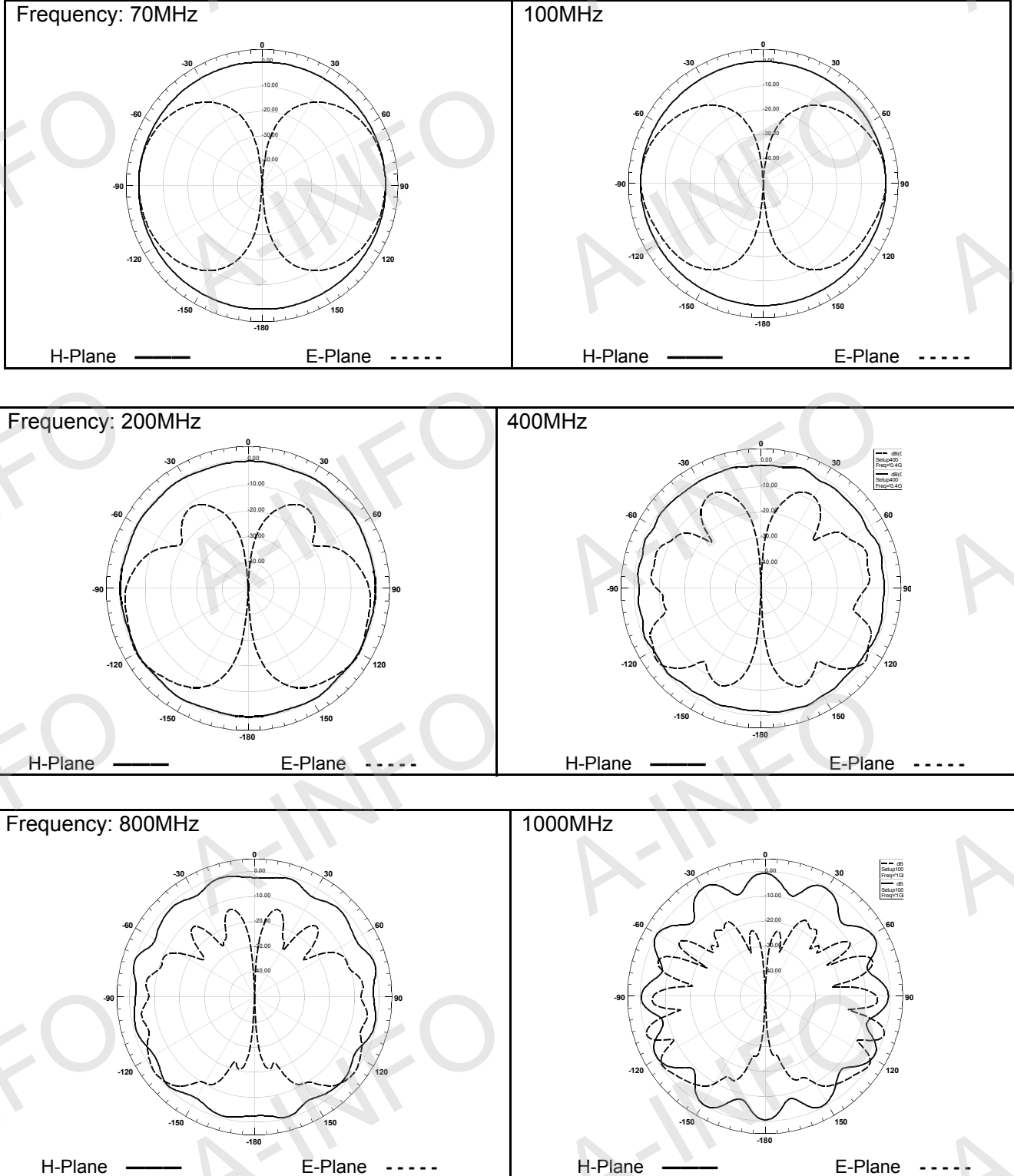
VSWR



Discone-Type Antenna 70~1000MHz(continued)

P/N: PZ-7100/P

Pattern



Discone-Type Antenna 80~500MHz

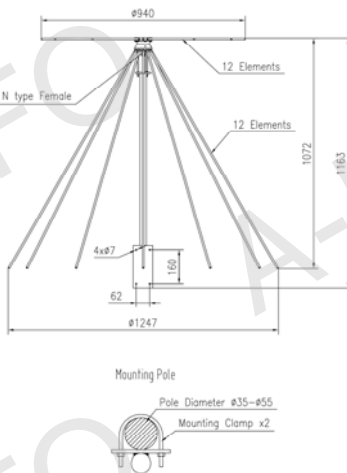
P/N: PZ-850/P



Technical Specification

Frequency(MHz)	80-500
Gain(dB)	0 Typ
Polarization	Linear
VSWR	2.0:1 Typ.
Power(W)	300 CW
Connector	N-Female
Size(mm) x H	Φ1247x1163
Net weight (Kg)	5.0 Around

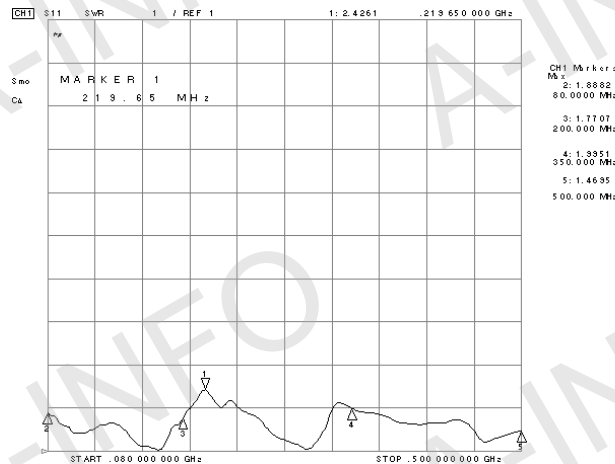
Outline Drawing (Size: mm)



Gain

Frequency (MHz)	Gain (dB)
80	0.8
240	1.5
500	1.8

VSWR

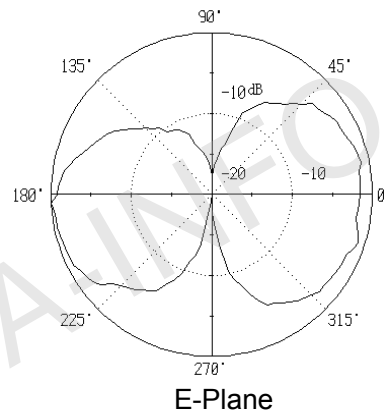
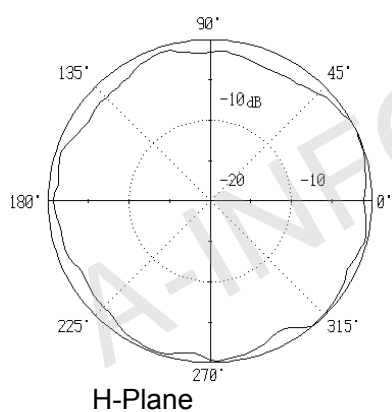


Discone-Type Antenna 80~500MHz(continued)

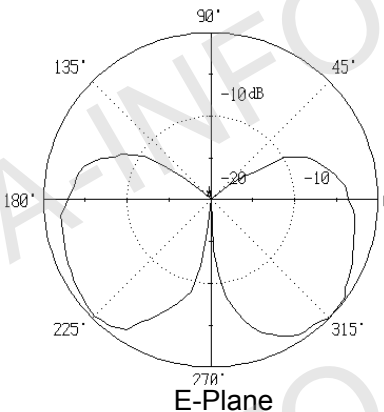
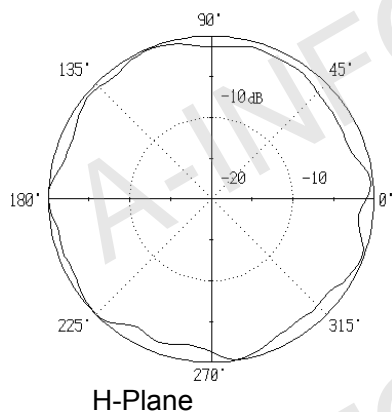
P/N: PZ-850/P

Pattern

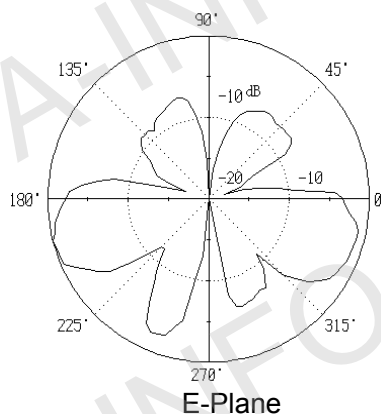
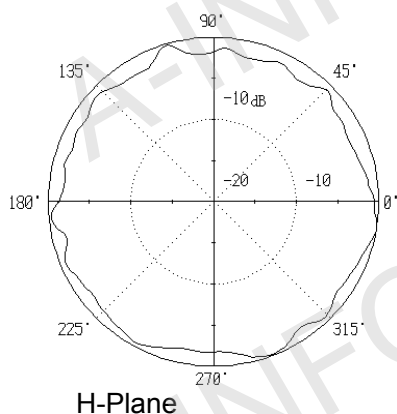
Frequency: 80MHz



Frequency: 240MHz



Frequency: 500MHz



Discone-Type Antenna 100~400MHz

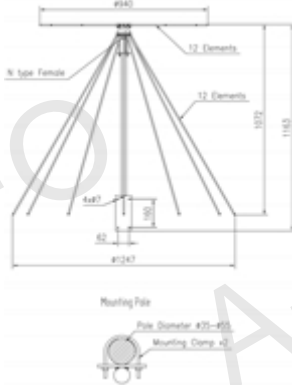
P/N: PZ-1040/P



Technical Specification

Frequency(MHz)	100-400
Gain(dB)	0 Typ.
Polarization	Linear
VSWR	2.0:1 Typ.
Power(W)	300 CW
Connector	N-Female
Size(mm) x H	Φ1247 x 1163
Net Weight(Kg)	5.0 Around

Outline Drawing (Size: mm)



Gain

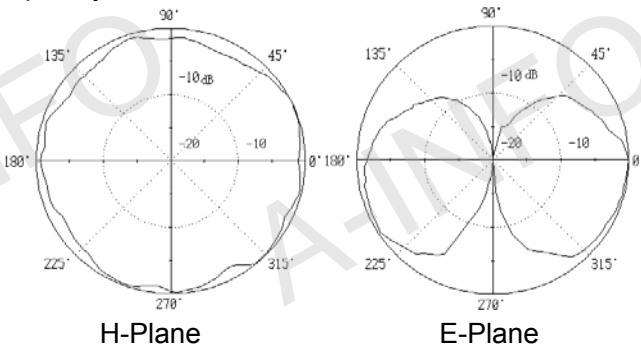
Frequency (MHz)	Gain (dB)
100	1.5
250	1.7
400	2.0

VSWR

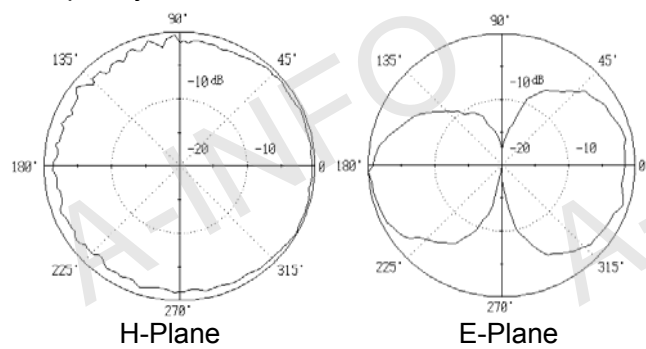


Pattern

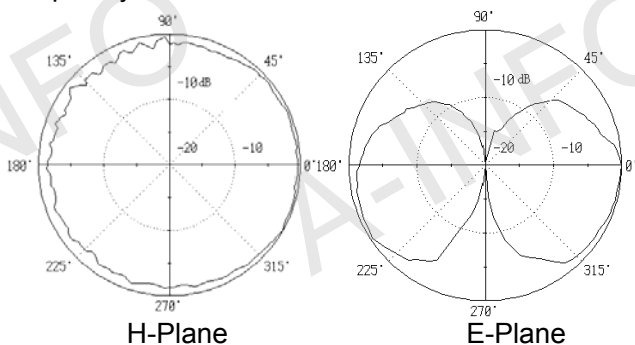
Frequency: 100MHz



Frequency : 250MHz



Frequency : 400MHz



224

China(Beijing):
China(Chengdu):
USA :

Tel: (+86) 10-6266-7326,
Tel: (+86) 28-8519-2786,
Tel: (+1) 949-346-7326,

(+86) 10-6266-7327
(+86) 28-8519-3044
(+1) 949-639-9660

Fax: (+86) 10-6266-7379
Fax: (+86) 28-8519-3068
Fax: (+1) 949-639-9659

Website: www.ainfoinc.com
Email: sales@ainfoinc.com

Discone-Type Antenna 250~1000MHz

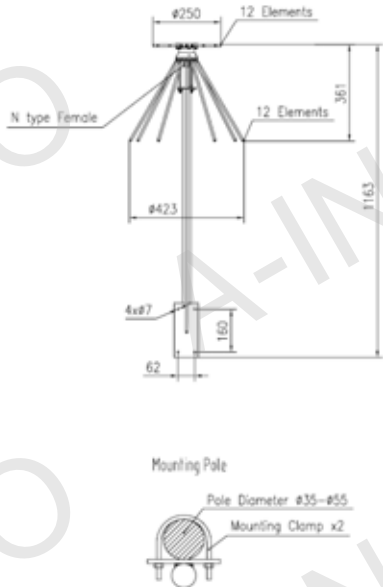
P/N: PZ-25100/P



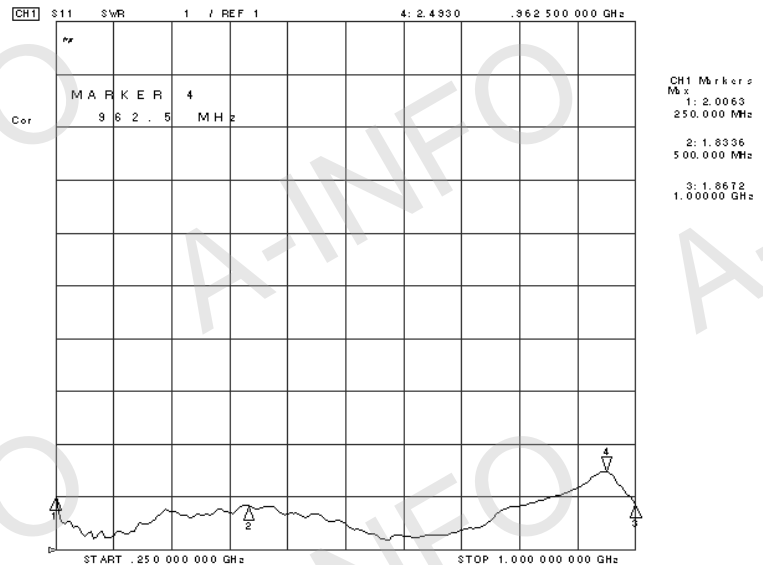
Technical Specification

Frequency Range(MHz)	250~1000
Gain(dB)	10~15
Polarization	Vertical
VSWR	1.5~2.0
Power(W)	1000
Connector	N type
Size(mm)Φ x H	125 x 1163
Net weight (Kg)	0.5

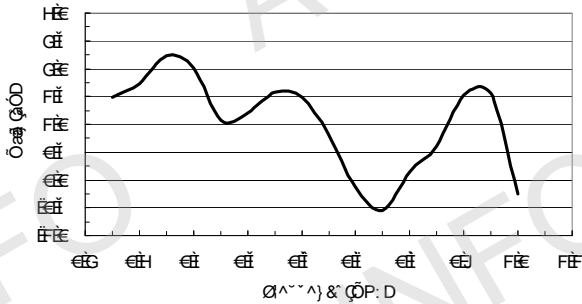
Outline Drawing(Size: mm)



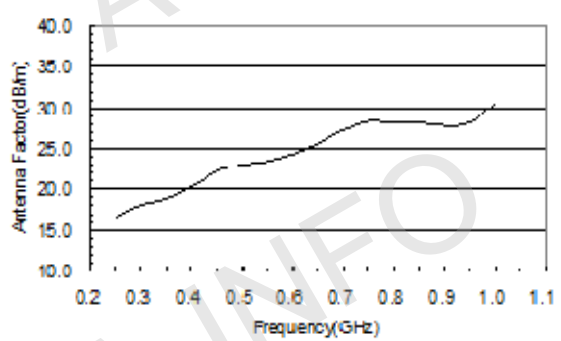
VSWR



Gain



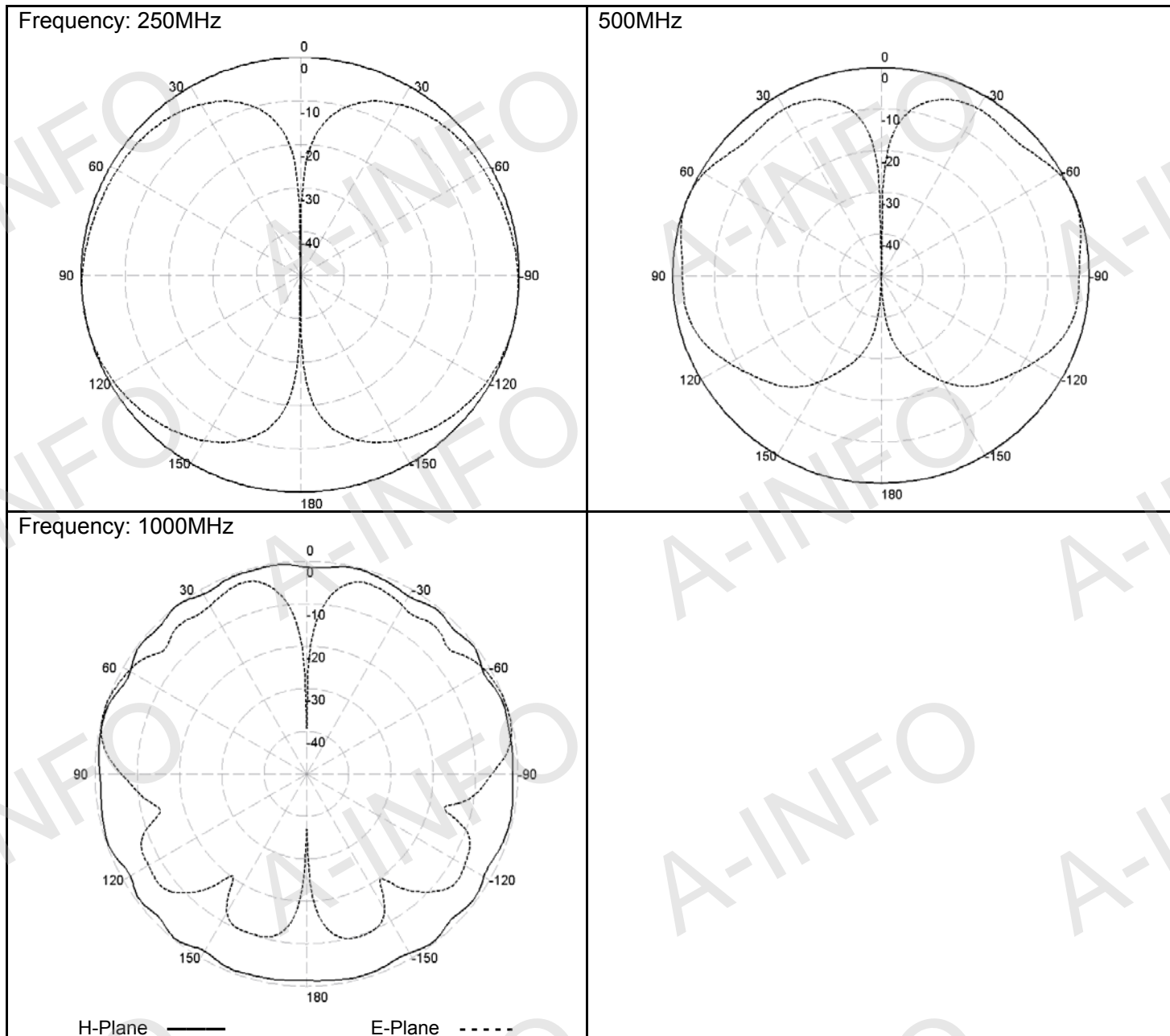
Antenna Factor



Discone-Type Antenna 250~1000MHz(continued)

P/N: PZ-25100/P

Pattern



Discone-Type Antenna 1000~18000MHz

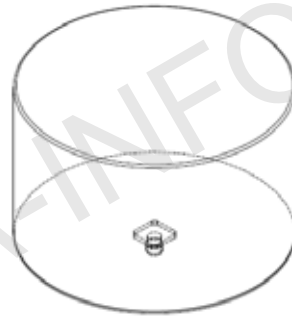
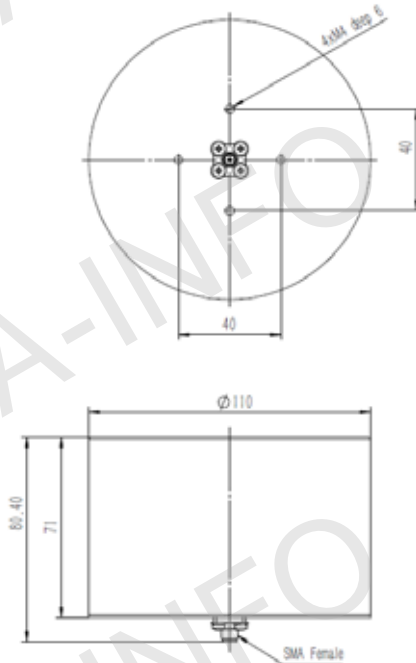
P/N: PZ-1001800/P



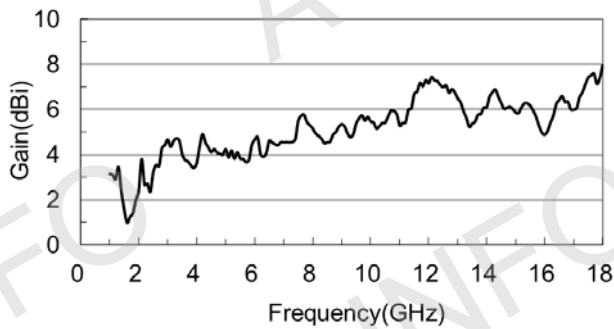
Technical Specification

Frequency Range(MHz)	1000-18000
Gain(dB)	0 Typ
Polarization	Linear
Power(W)	80 CW
VSWR	2.0:1 Typ.
Connector	SMA-Female
Size(mm) x H	Φ110x71
Net Weight(Kg)	0.5 Around

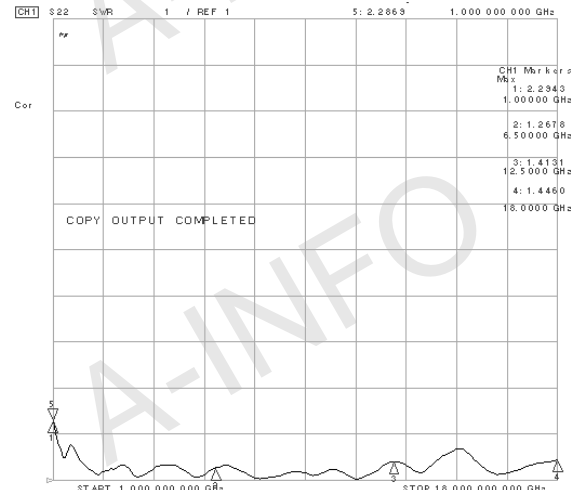
Outline Drawing and Mounting(Size: mm)



Gain



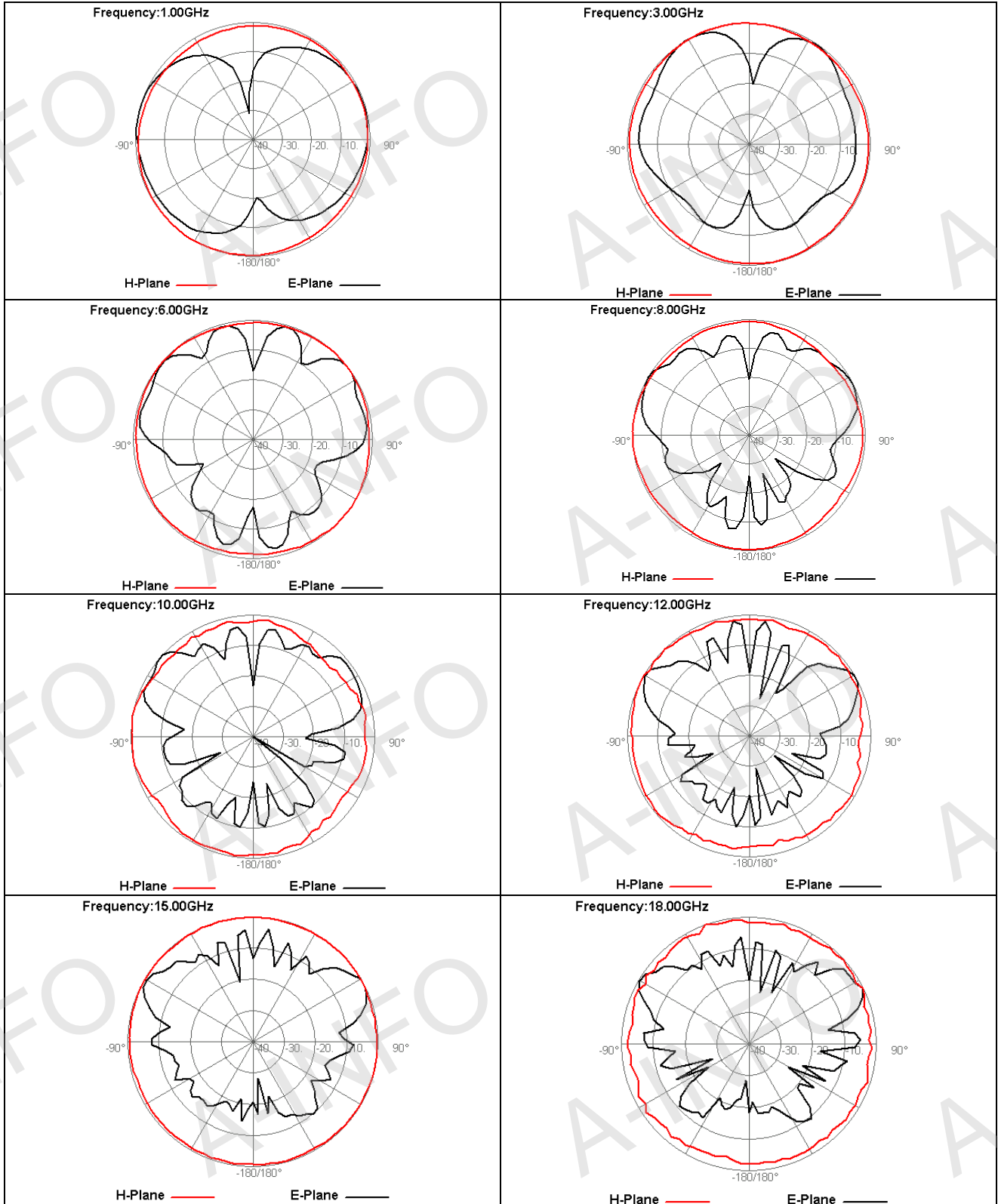
VSWR



Discone-Type Antenna 1000~18000MHz(continued)

P/N: PZ-1001800/P

Pattern

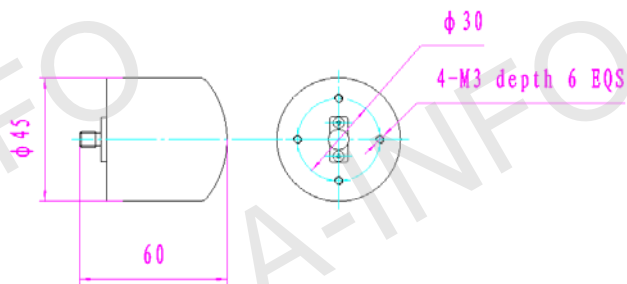


Discone-Type Antenna 8000~18000MHz

P/N: PZ-8001800/P



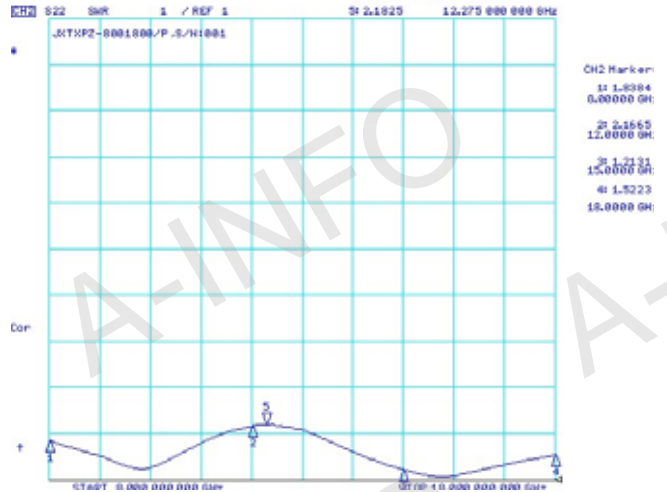
Outline Drawing(Size: mm)



Technical Specification

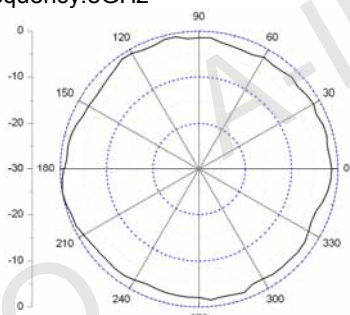
Frequency Range(MHz)	8000-18000
Polarization	Vertical
VSWR	2.5:1 Typ.
Connector	SMA-Female
Size(mm)	Φ45x60
Net weight (kg)	0.14 Around

VSWR



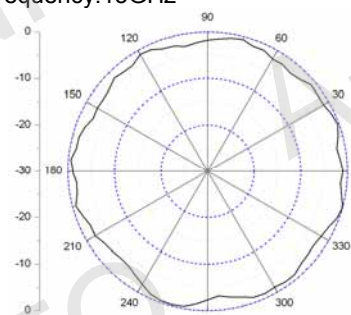
Pattern

Frequency:8GHz



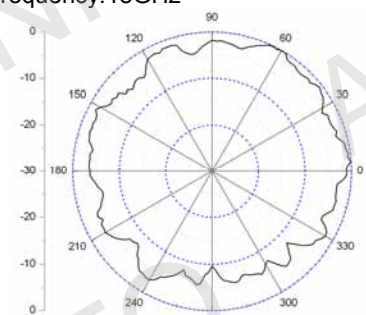
Azimuth

Frequency:13GHz



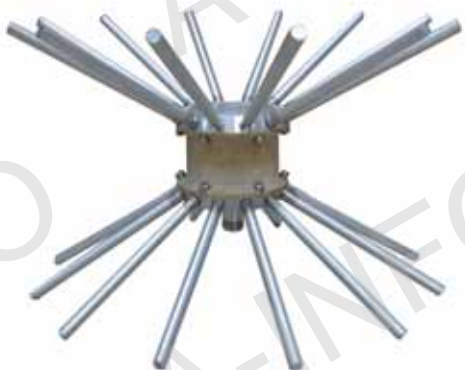
Azimuth

Frequency:18GHz



Azimuth

Bi-Conical Antenna



For detailed test data, pls. Log on www.ainfoinc.com – Antenna – Bi-Conical Antenna and download.

Model	Freq. (MHz)	Pol.	Gain (dB) Typ.	VSWR Max	Power (W) CW	Connector	Size (mm)
SZ-10300	100-3000	Vertical	4	2.5:1 Typ.	100	N-F	Φ1680x1000
SZ-20300	200-3000	Vertical	4	3.0:1	100	N-F	Φ645 x 400
SZ-50300/P	500-3000	Vertical	0	3.0:1	100	N-F	Φ300x190
SZ-80400/P	800-4000	Vertical	0	2.0:1	50	SMA-F	Φ190x206
SZ-2001800/P	2000-18000	Vertical	0	2.0:1 Typ. 2.5:1 Max	50	SMA-F	Φ123x82
SZ-2002650/P	2000-26500	Vertical	0	2.0:1 Typ. 2.5:1 Max	50	SMA-F	Φ123x82
SZ-2003000/P	2000-30000	Vertical	0	2.5:1 Typ. 3.0:1 Max	50	SMA-F	Φ123x82
SZ-3004000/P	3000-40000	Vertical	3	2.0:1 Typ.	30	2.92mm-F	Φ80x82.8
SZ-4004000/P	4000-40000	Vertical	3	2.0:1 Typ.	30	2.92mm-F	Φ80x82.8
SZ-18004000/P	18000-40000	Vertical	3	2.0:1 Typ.	30	2.92mm-F	Φ80x82.8

Bi-Conical Antenna 200~3000MHz

P/N: SZ-20300

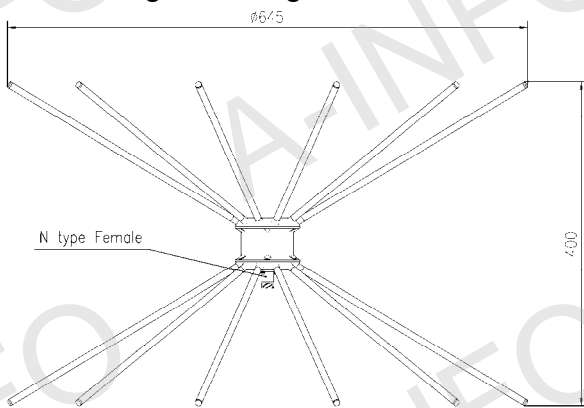


Technical Specification

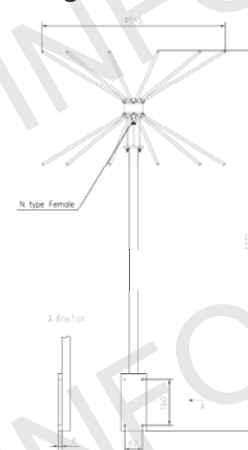
Frequency Range(MHz)	200-3000
Polarization	Vertical
VSWR	3:1 Max
Gain(dB)	4 Typ.
Power(W)	100 CW
Connector	N-Female
Net Weight(Kg)	2.0 Around(Not including Mounting kit)
	3.5 Around (including Mounting kit)
Size(mm)	(Φ)645x(H)400 approx(Not including Mounting kit)
	(H)1355 approx. (including Mounting kit)

Outline Drawing (Size: mm)

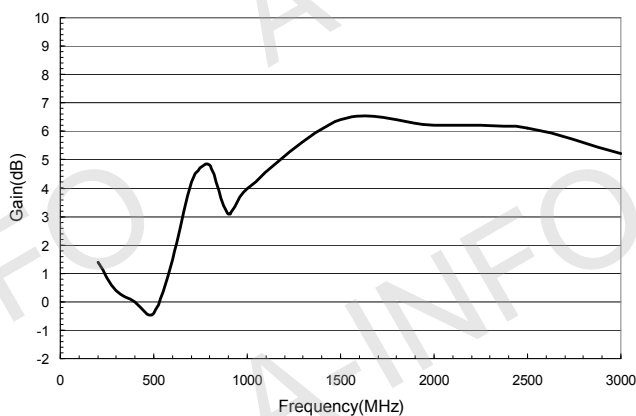
Not Including Mounting Bracket



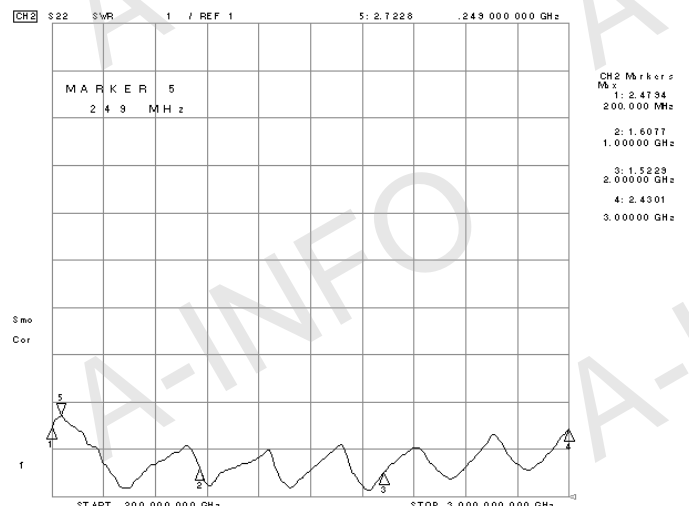
Including Mounting Kit



Gain



VSWR

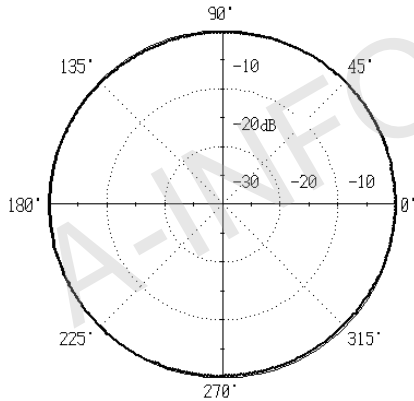


Bi-Conical Antenna 200~3000MHz(continued)

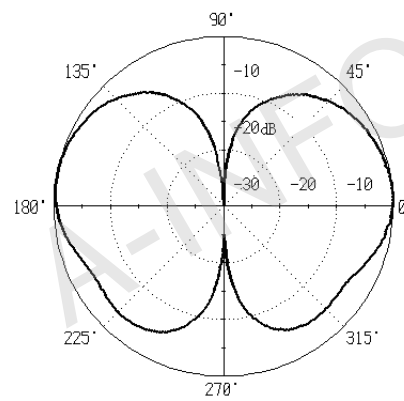
P/N: SZ-20300

Pattern

Frequency: 200MHz

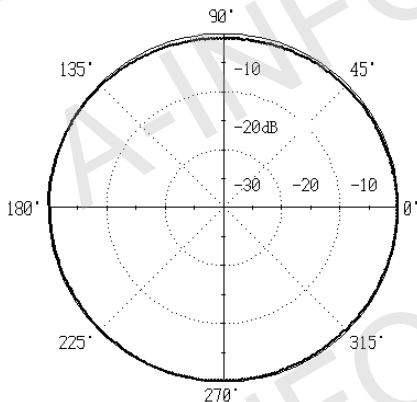


H-Plane

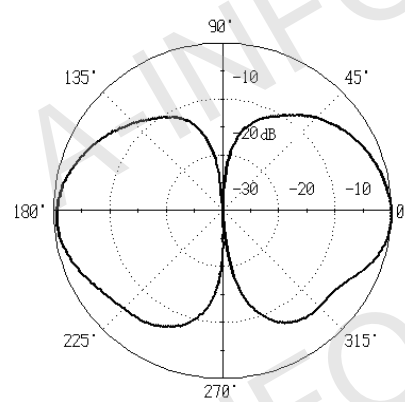


E-Plane

Frequency: 500MHz

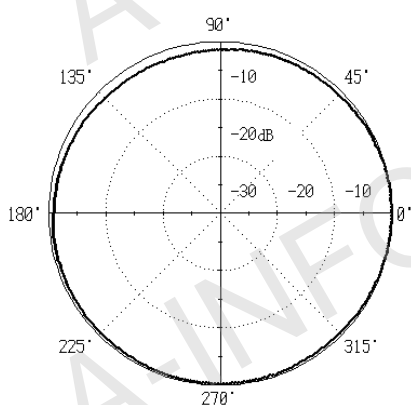


H-Plane

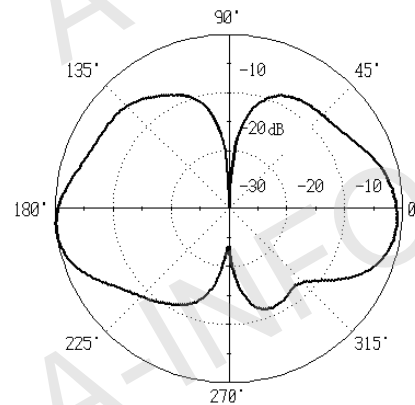


E-Plane

Frequency: 1000MHz



H-Plane



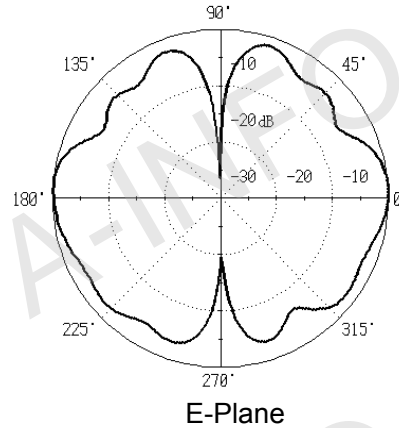
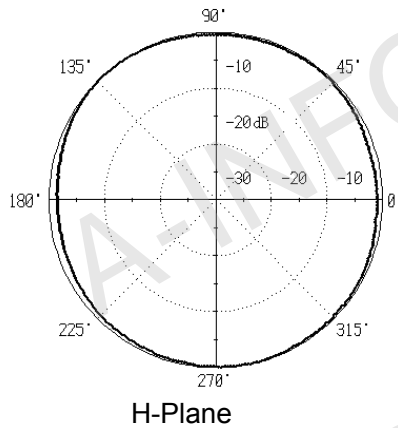
E-Plane

Bi-Conical Antenna 200~3000MHz(continued)

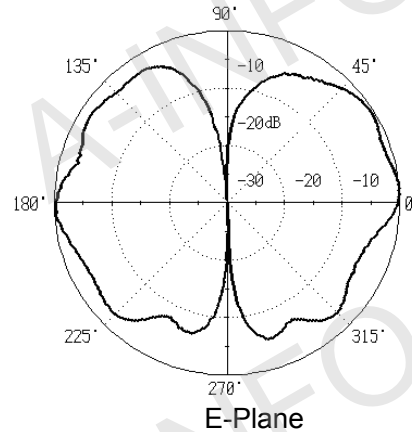
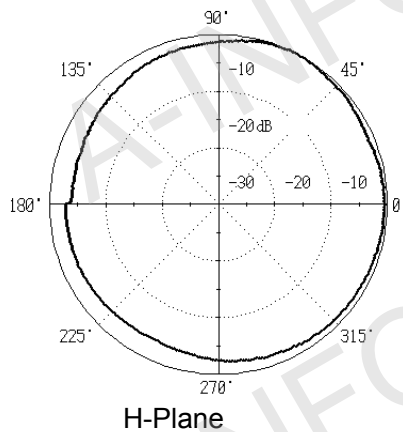
P/N: SZ-20300

Pattern

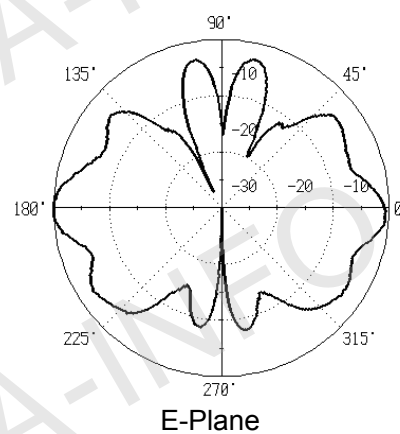
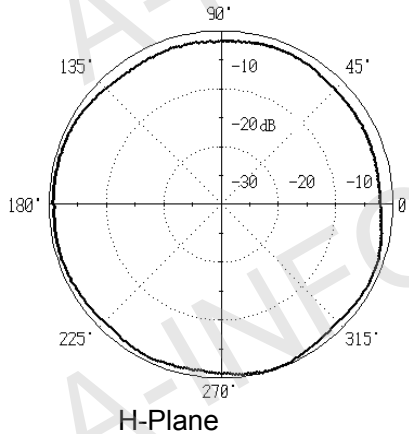
Frequency: 1500MHz



Frequency: 2000MHz



Frequency: 3000MHz



Bi-Conical Antenna 500~3000MHz

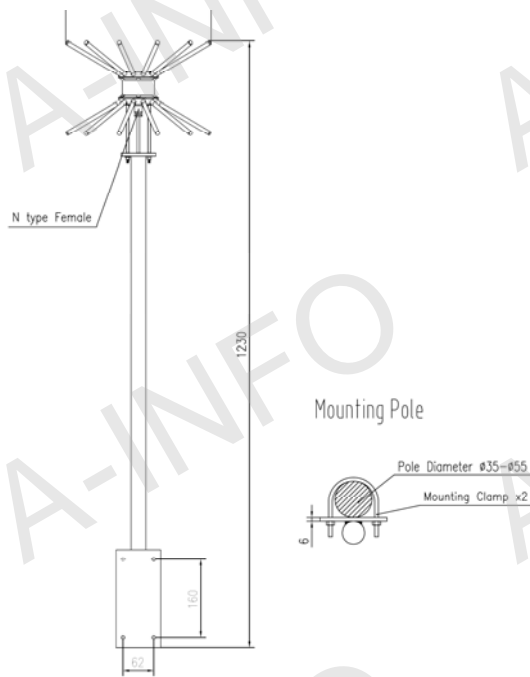
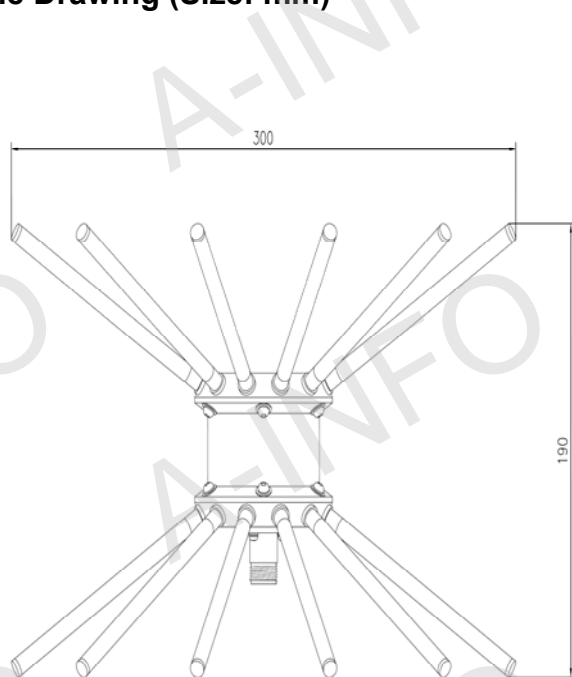
P/N: SZ-50300/P



Technical Specification

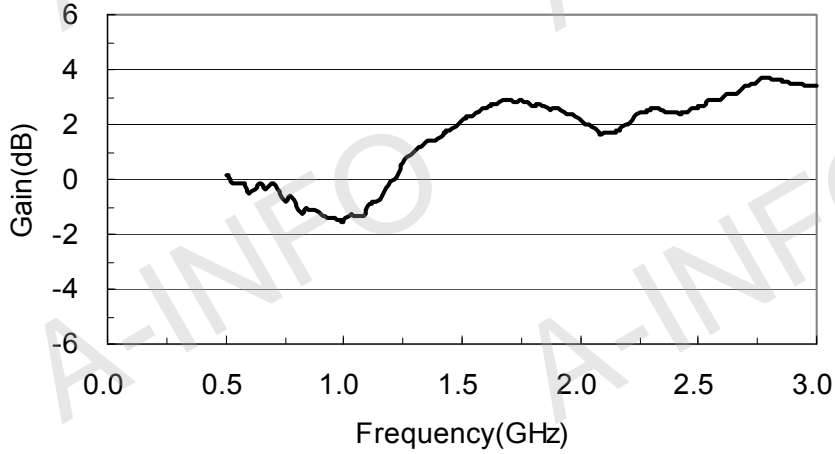
Frequency Range(MHz)	500-3000
Polarization	Vertical
VSWR	3:1 MAX
Gain(dB)	0 Typ
Power(W)	100 CW
Connector	N-Female
Net Weight(Kg)	1.0 Around(Not including Mounting Kit)
	2.5 Around (including Mounting Kit)
Size(mm)	(Φ)300 x (H)190 approx. (Not including Mounting Kit)
	(H)1230 approx.(including Mounting Kit)

Outline Drawing (Size: mm)

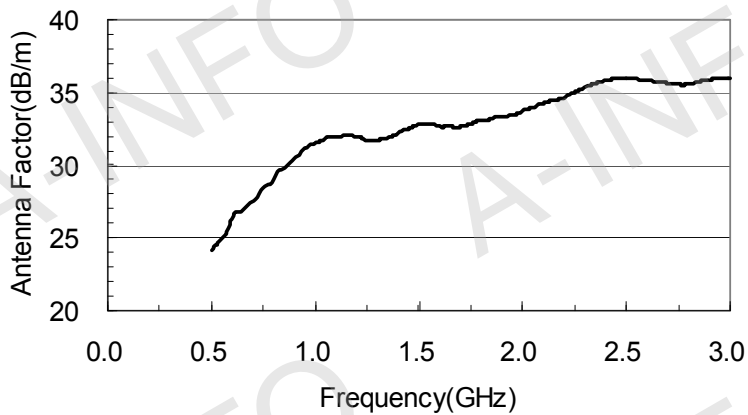


Bi-Conical Antenna 500~3000MHz(continued)

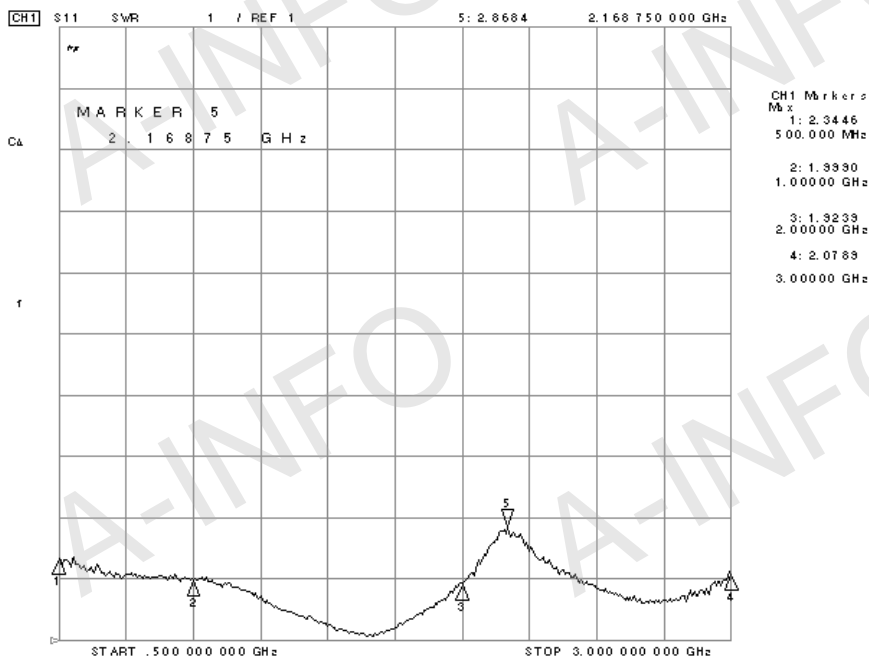
P/N: SZ-50300/P
Gain



Antenna Factor



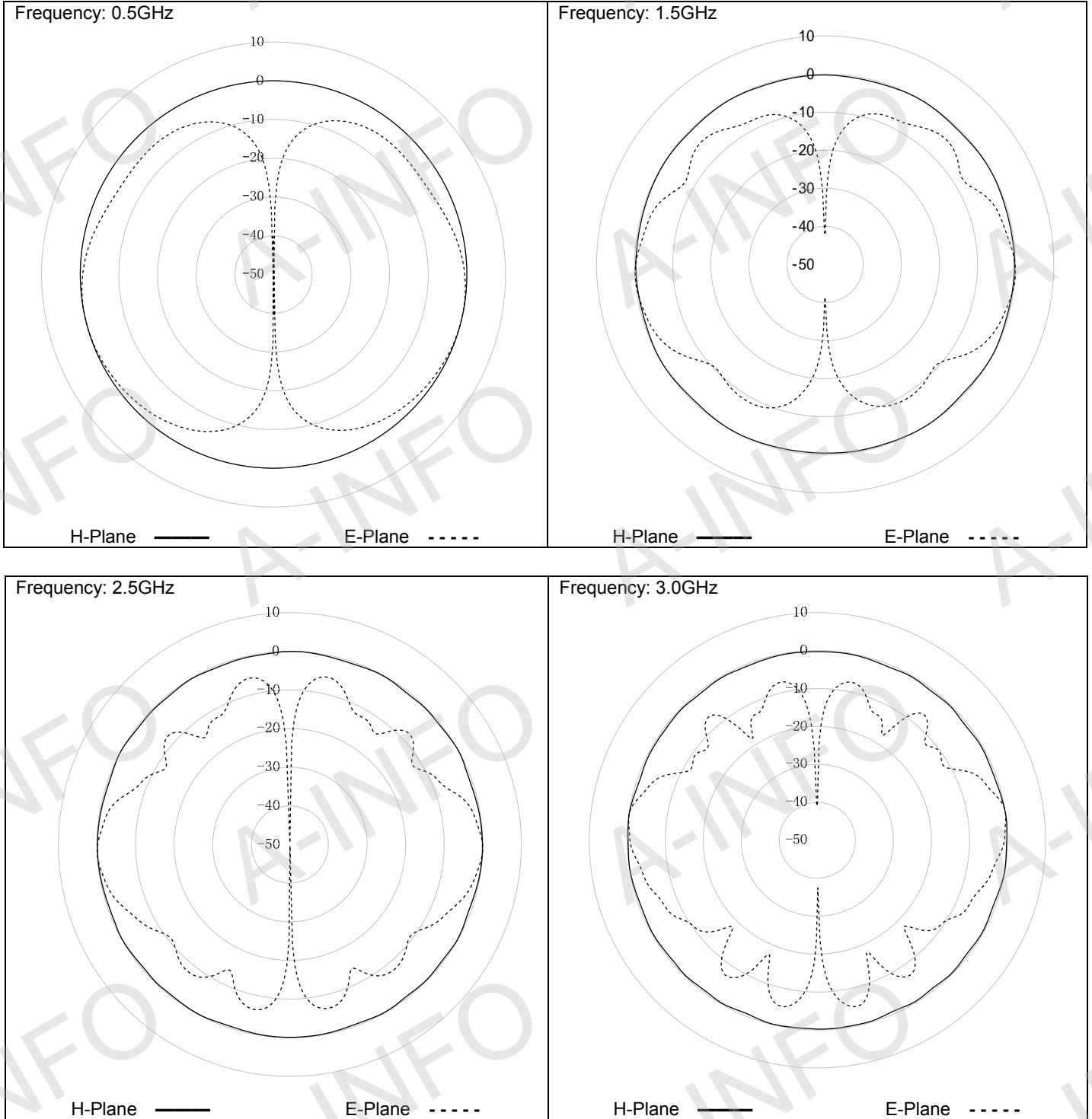
VSWR



Bi-Conical Antenna 500~3000MHz(continued)

P/N: SZ-50300/P

Pattern



Bi-Conical Antenna 800~4000MHz

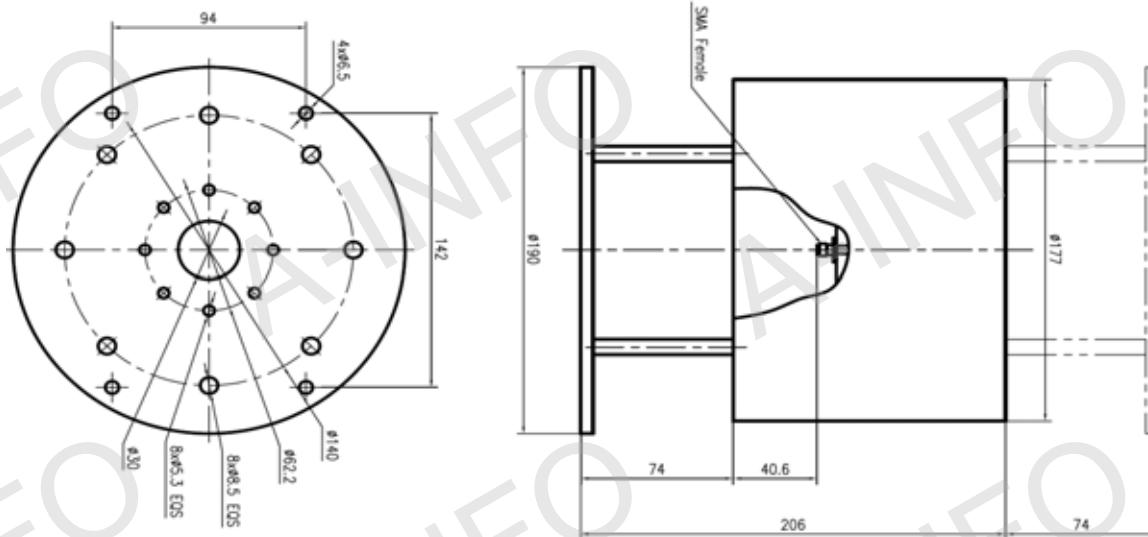
P/N: SZ-80400/P



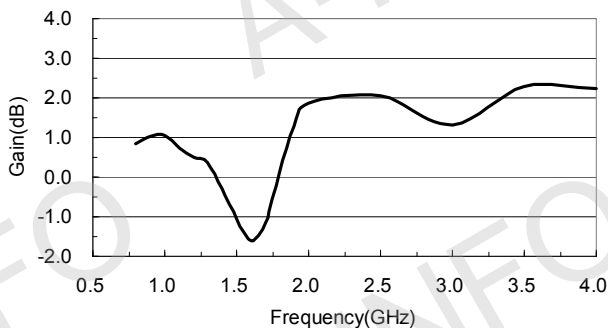
Technical Specification

Frequency Range(MHz)	800-4000
Polarization	Vertical
Gain(dB)	0 Typ.
VSWR	2.0:1 Max.
Connector	SMA-Female
Size	Φ190x206mm
Net Weight(Kg)	1.6 Around

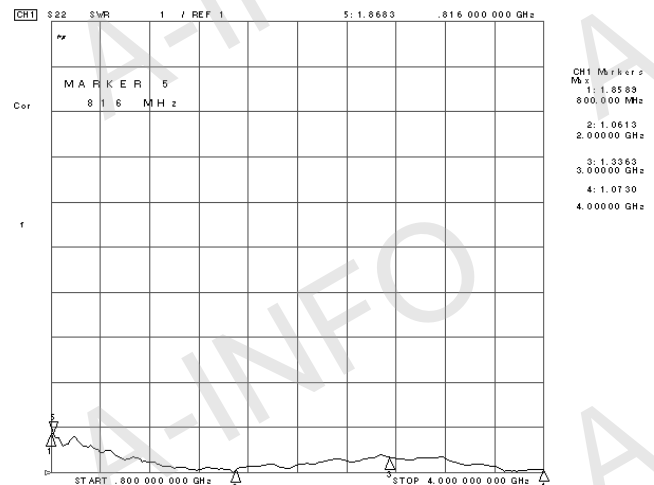
Outline Drawing(Size: mm)



Gain



VSWR

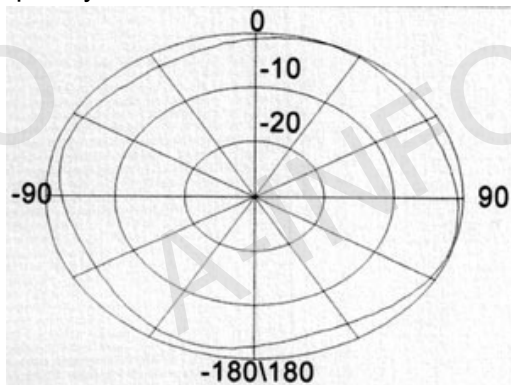


Bi-Conical Antenna 800~4000MHz(continued)

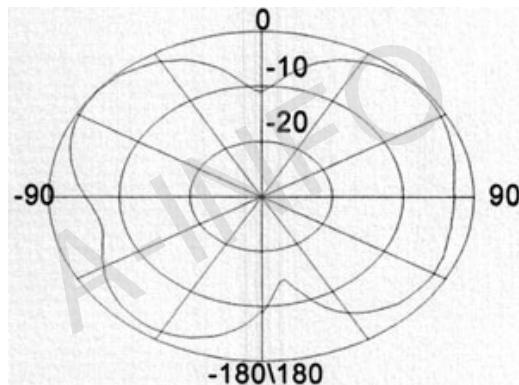
P/N: SZ-80400/P

Pattern

Frequency: 0.8GHz

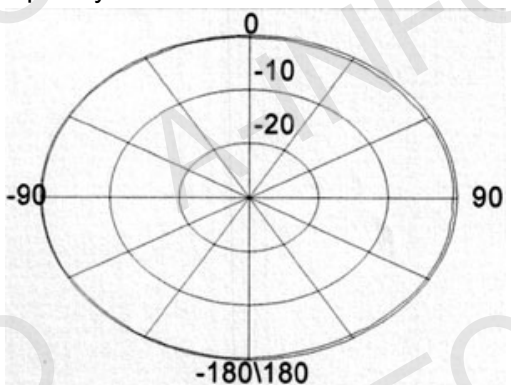


H-Plane

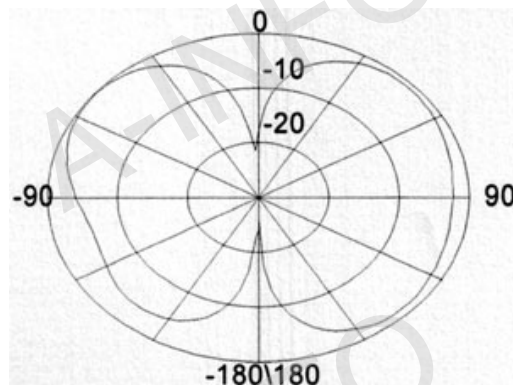


E-Plane

Frequency: 1.0GHz

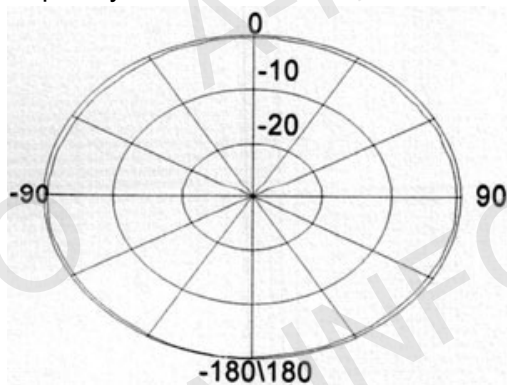


H-Plane

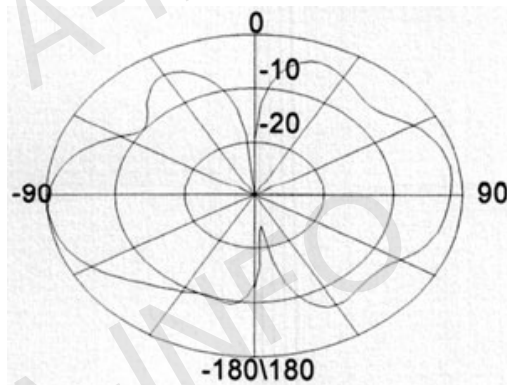


E-Plane

Frequency: 2.0GHz



H-Plane



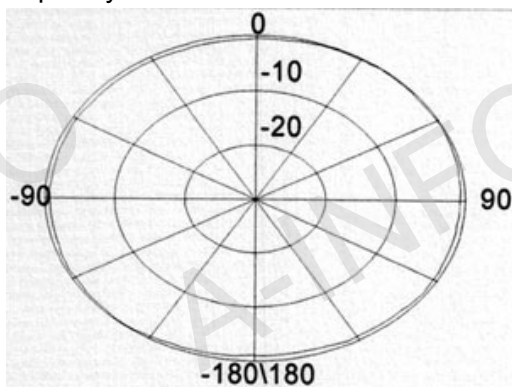
E-Plane

Bi-Conical Antenna 800~4000MHz(continued)

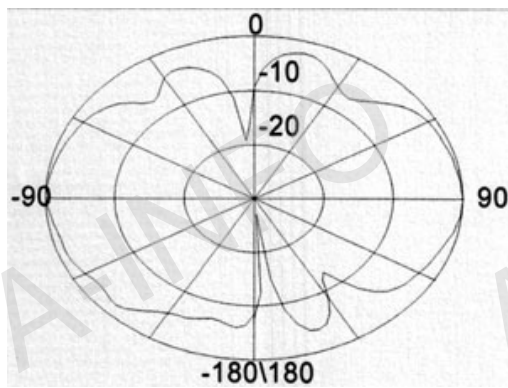
P/N: SZ-80400/P

Pattern

Frequency: 3.0GHz

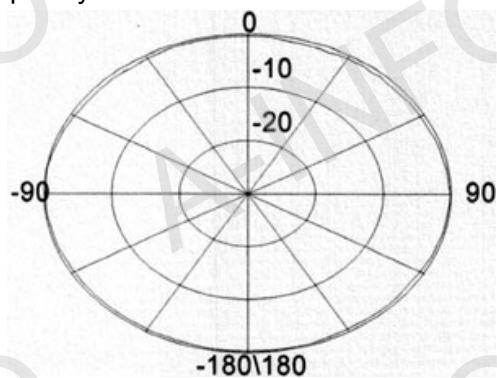


H-Plane

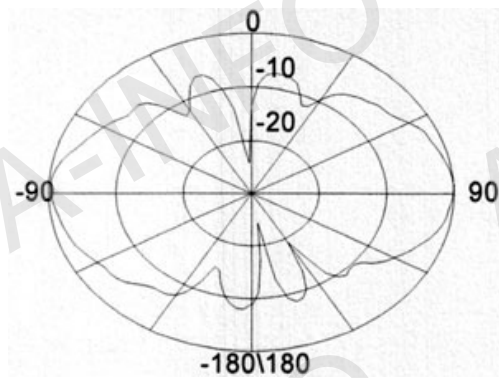


E-Plane

Frequency: 4.0GHz



H-Plane



E-Plane

Bi-Conical Antenna 2000~26500MHz

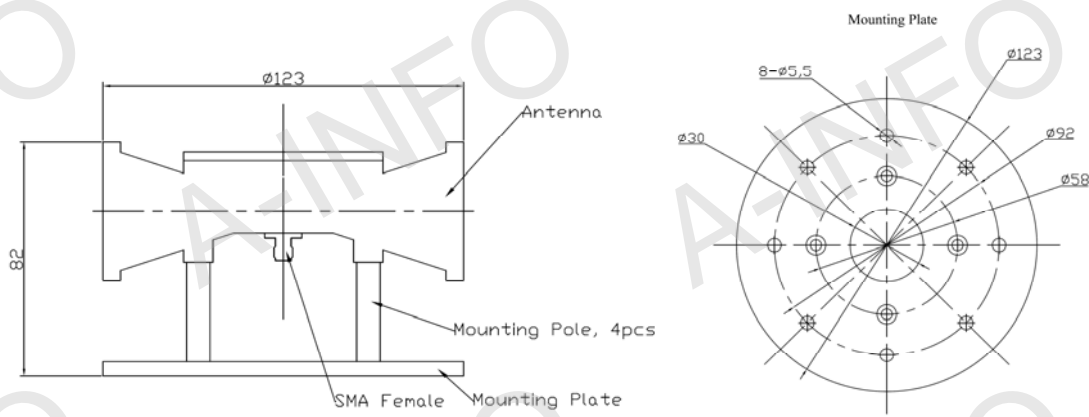
P/N: SZ-2002650/P



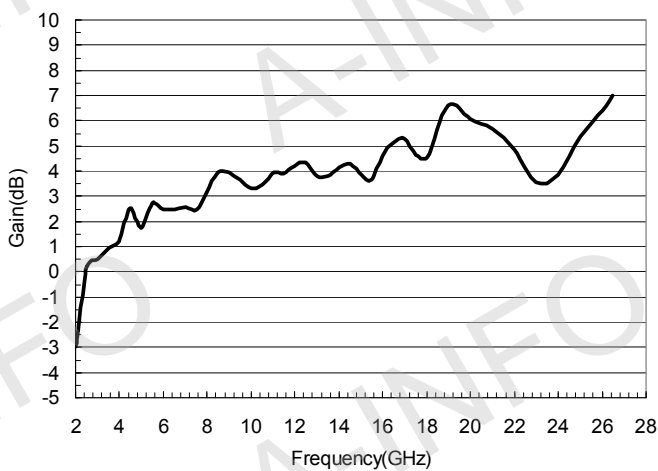
Technical Specification

Frequency(MHz)	2000-26500
Polarization	Vertical
Gain(dB)	0 Typ.
VSWR	2.0:1 Typ. 2.5:1 Max
Power(W)	50 CW
Connector	SMA-Female
Size(mm)	Φ123x82
Net Weight(Kg)	0.4Around

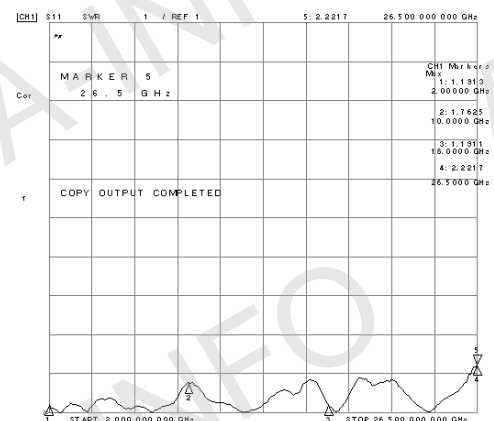
Outline Drawing(Size:mm)



Gain



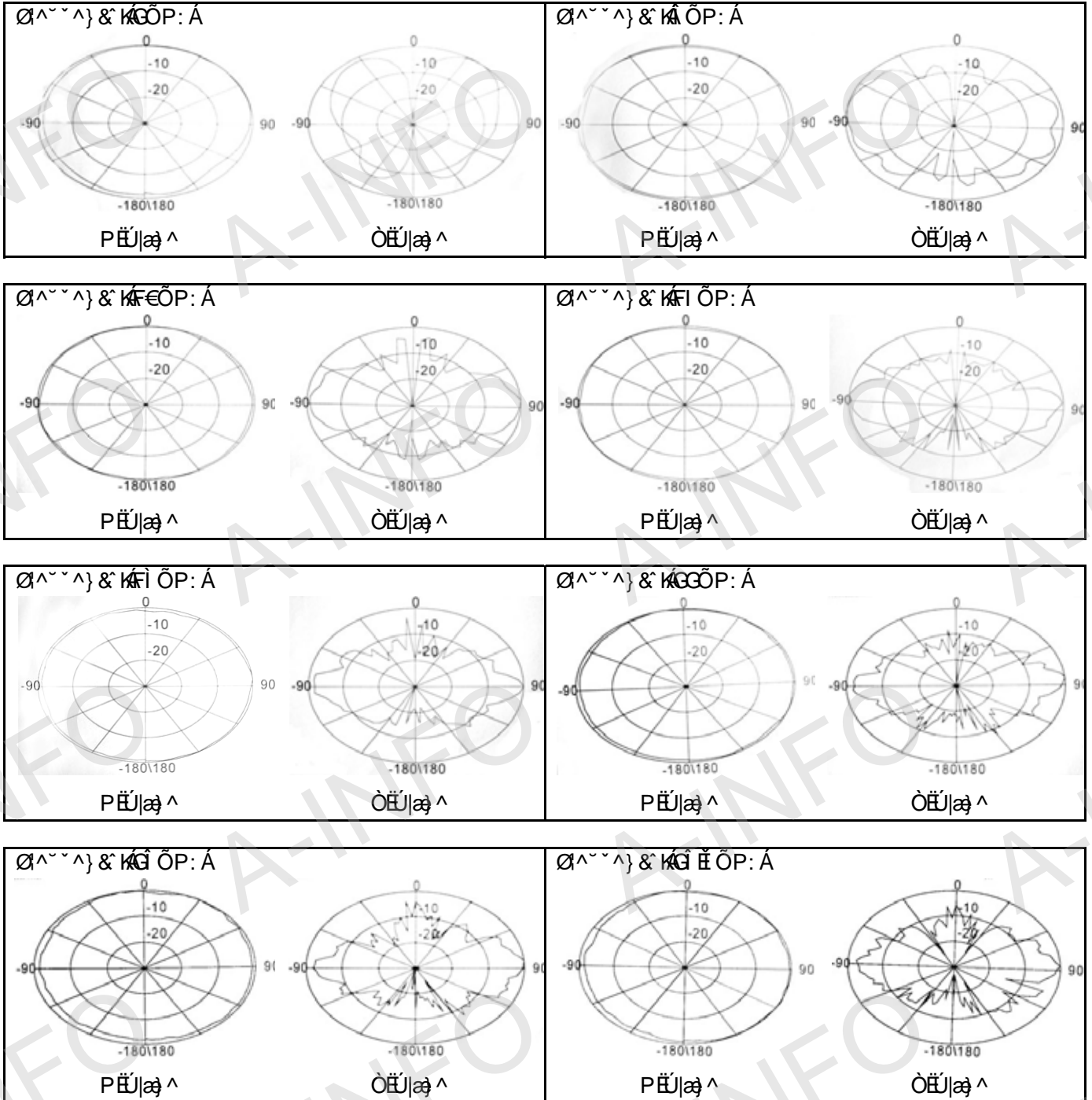
VSWR



Bi-Conical Antenna 2000~26500MHz(continued)

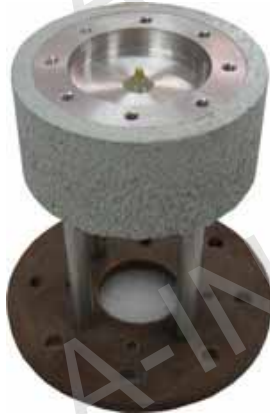
P/N: SZ-2002650/P

Pattern



Bi-Conical Antenna 3000~40000MHz

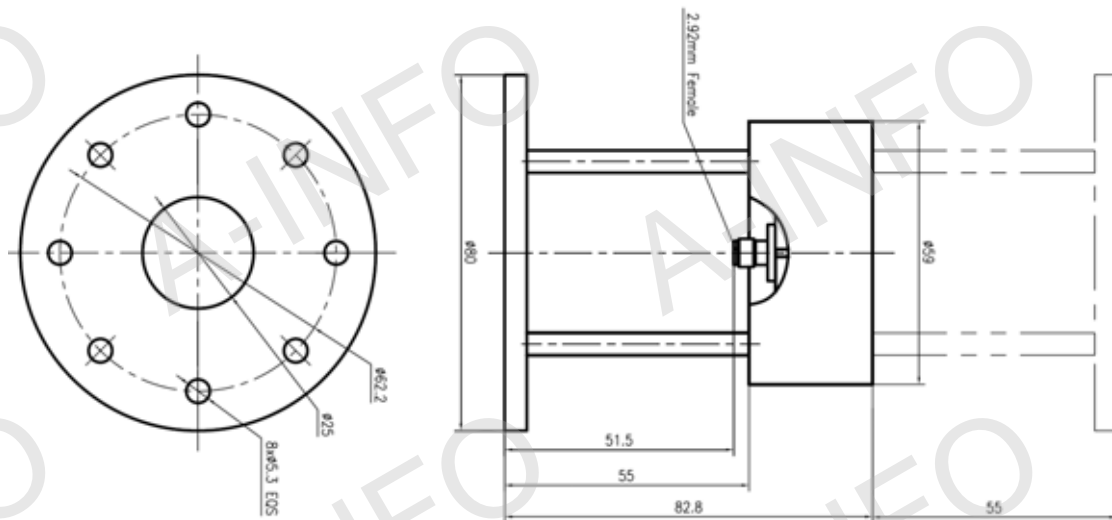
P/N: SZ-3004000/P



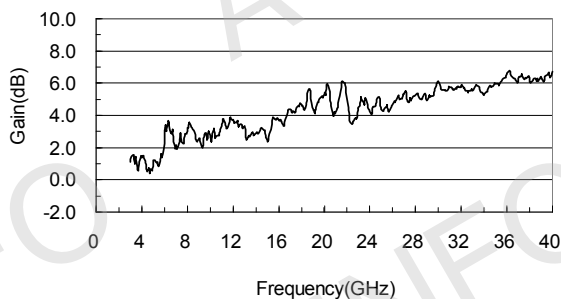
Technical Specification

Frequency(MHz)	3000-40000
Polarization	Vertical
Gain(dB)	3 Typ.
VSWR	2.0:1 Typ.
Power(W)	30 CW
Connector	2.92mm-Female
Size(mm)	Φ80x82.8
Net Weight(Kg)	0.2Around

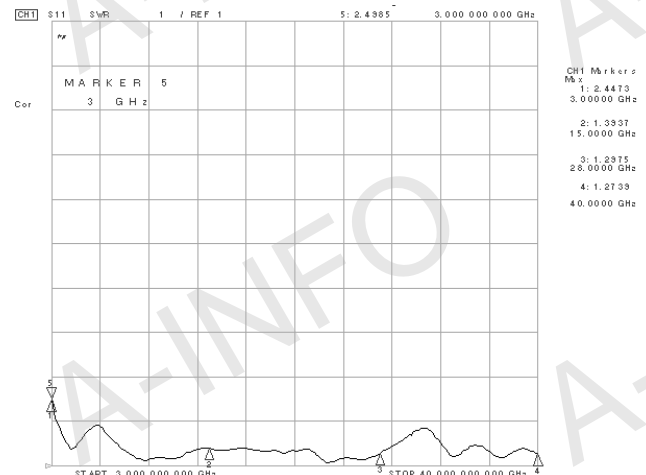
Outline Drawing(Size:mm)



Gain



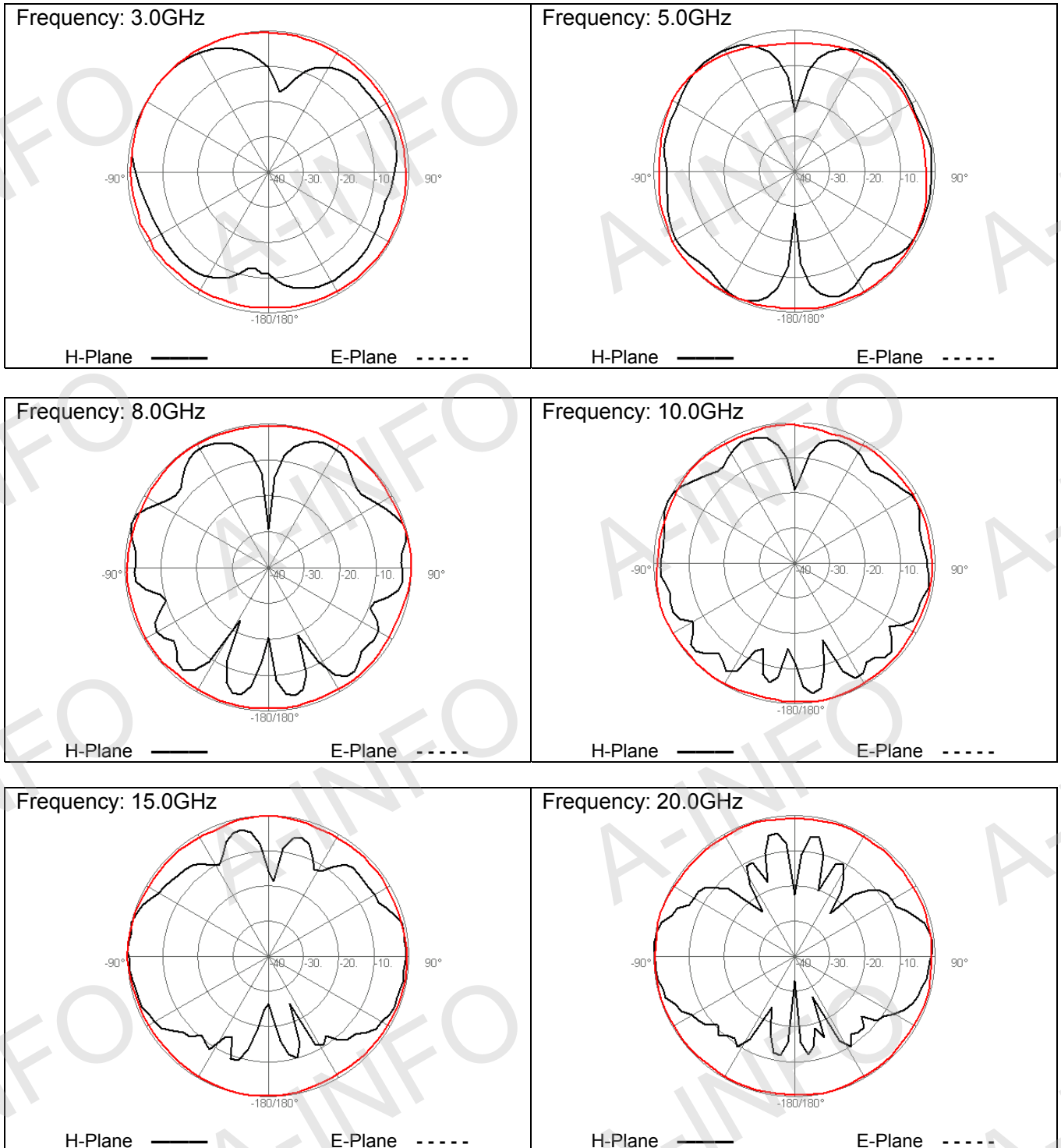
VSWR



Bi-Conical Antenna 3000~40000MHz(continued)

P/N: SZ-3004000/P

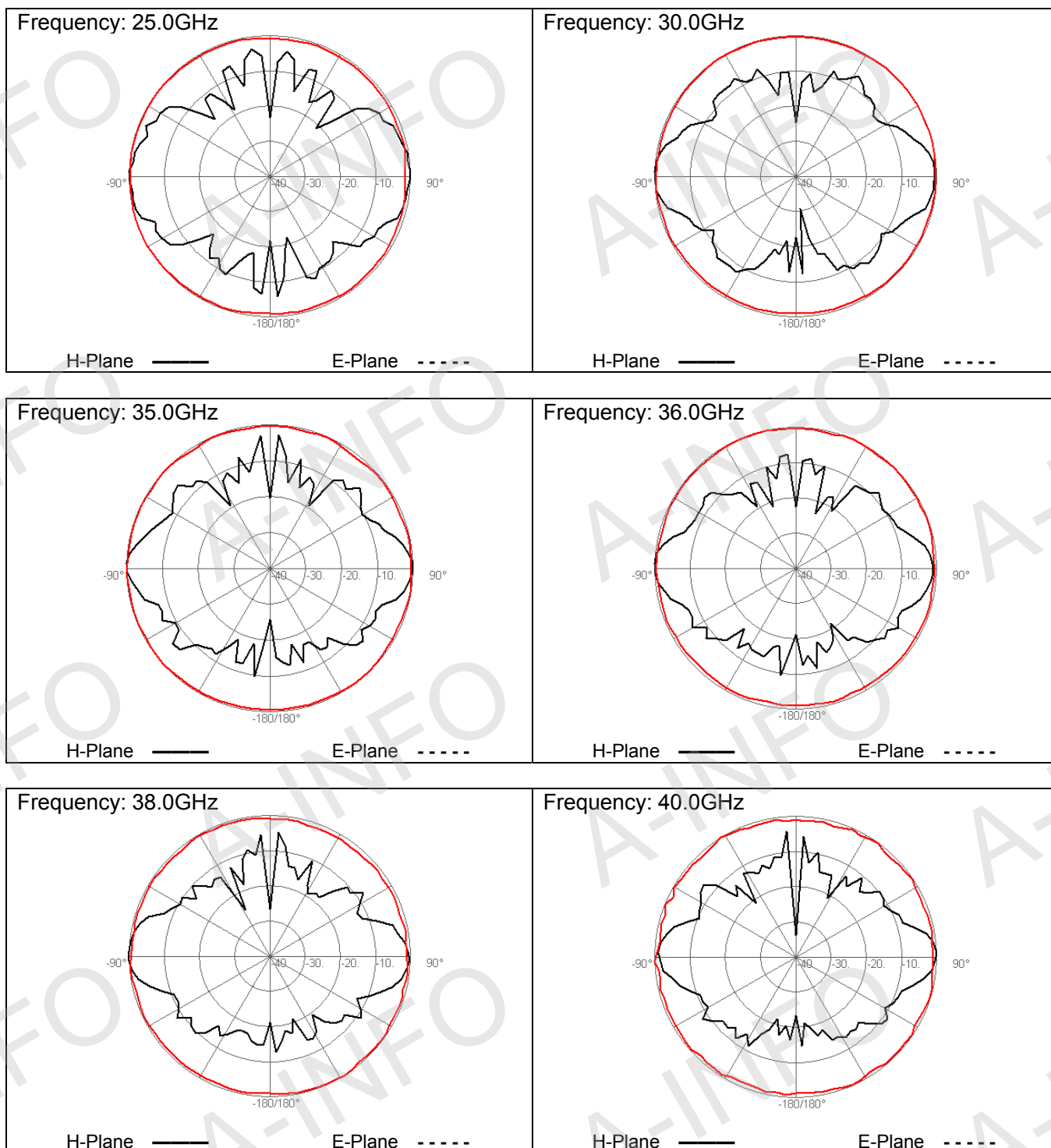
Pattern



Bi-Conical Antenna 3000~40000MHz(continued)

P/N: SZ-3004000/P

Pattern





ООО «4ТЕСТ»

Телефон: +7 (499) 685-4444

info@4test.ru

www.4test.ru